

Cool Top Trail 20-24

Air Conditioner Roof Top Unit



Made by

 **HOUGHTON**

EN	Operating- and Installation Instructions.....	2
DE	Bedienungs- und Einbauanweisung.....	22
FR	Notice d'utilisation et d'installation.....	44
IT	Istruzioni per l'uso e istruzioni di installazione.....	66
ES	Instrucciones de uso y de instalación.....	87
NL	Bedienings- en installatiehandleiding.....	109
SV	Bruks- och installationsanvisning.....	131

Table of Contents

1 Introduction.....	3	7.4 Regular usage.....	17
1.1 Use of symbols and highlighting	3	7.5 Cleaning	17
1.2 Warranty and liability.....	3	7.6 Heat exchangers.....	18
2 Safety	4	8 Troubleshooting	19
2.1 Intended use	4	9 Disposal.....	19
2.2 Safety information	4	10 Technical specifications	20
2.3 Qualifications of personnel	4	11 Wiring schematic.....	21
3 Scope of delivery	5	Declarations of conformity	151
4 Required connectors for the CI-BUS....	5		
5 Installation instructions	6		
5.1 General.....	6		
5.2 Installation requirements	6		
5.3 Different cut-out sizes.....	6		
5.4 Installation position	6		
5.5 Roof reinforcements	7		
5.6 Power supply.....	7		
5.7 CI-BUS Cable(s).....	8		
5.8 Installing the adaptor frame.....	8		
5.9 Installing the outdoor unit	9		
5.10 Connecting the power supply	9		
5.11 Installing the air distributor mounting bracket	9		
5.12 Connecting the air outlet duct.....	10		
5.13 Connecting the indoor and outdoor unit cables.....	10		
5.14 Connecting the CI-BUS cables.....	10		
5.15 Installing the air distributor assembly.....	11		
5.16 Installing the remote control holder.....	11		
5.17 Testing the system.....	11		
6 Operating Instructions	12		
6.1 Before usage	12		
6.2 How to heat and cool effectively	12		
6.3 Dealing with condensation	12		
6.4 Choosing and using a generator or inverter	12		
6.5 Using the remote control.....	13		
6.6 Switching the unit ON / OFF	13		
6.7 Setting the temperature.....	13		
6.8 Setting the fan speed.....	14		
6.9 Setting the operation mode.....	14		
6.10 Setting the system clock	15		
6.11 Setting the timer.....	15		
6.12 Activating the timer	16		
6.13 Setting the sleep function	16		
6.14 Changing the unit of temperature	16		
6.15 Resetting the remote control	16		
6.16 Operating the air distributor without the remote control	16		
6.17 Adjusting the air outlets.....	17		
7 Maintenance.....	17		
7.1 Air filter	17		
7.2 Remote control batteries	17		
7.3 Bolt check.....	17		

1 Introduction

These operating - and installation instructions are part of the product and contain all the information required to ensure correct and safe installation and use.

- ▶ Read these instructions before installing and operating the unit.
- ▶ Keep these instructions ready to hand.
- ▶ Hand these instructions on to the following owner or user of the unit.

1.1 Use of symbols and highlighting



DANGER

This signal word denotes a hazard with a **high** degree of risk which, if not avoided, may lead to death or serious injury.



WARNING

This signal word denotes a hazard with a **moderate** degree of risk which, if not avoided, may lead to minor or moderate injury.



CAUTION

This signal word denotes a hazard with a **low** degree of risk which, if not avoided, may lead to minor or moderate injury.



NOTE

This symbol denotes a special technical feature or (if not observed) potential damage to the product.



This symbol refers to separate documents which may be enclosed or can be requested from Webasto.

- ✓ Requirements for the following necessary action

1.2 Warranty and liability

The statutory warranty period applies. If the product is defective, please contact a Webasto service partner in your country.

You can find your nearest dealer at:

<https://dealerlocator.webasto.com/en-int>

Our experts will be happy to help you and will discuss the warranty process with you in more detail.

Webasto shall not assume liability for defects or damages that are the result of disregarding the installation and operating instructions. This liability exclusion particularly applies to:

- Installation by untrained personnel.
- Improper use.
- Repairs not carried out by a Webasto service workshop.
- Use of non-genuine parts.
- Conversion of the unit without permission from Webasto.
- Mechanical damage to the equipment.
- Non-compliance with installation and operating instructions.
- Non-compliance with inspection and maintenance instructions.
- Operation with voltage levels other than specified in the technical data.
- Damage to the remote control resulting from leaking batteries.
- Damage resulting from contact with unsuitable substances, such as chemical products and unsuitable cleaning agents.
- Damage caused by abnormal environmental or unsuitable operating conditions.
- Damage resulting from improper transport.

2 Safety

2.1 Intended use

The Cool Top Trail 20 - 24 is designed for installation in caravans or motorhomes and vehicles with living compartments.

The Cool Top Trail 20 - 24:

- is not suitable for installation in construction machines, agricultural machines or similar equipment.
- is not intended to be used in boats or to be exposed to strong vibrations.
- is not suitable for houses or apartments.
- may not be operated in vehicles while driving.

2.2 Safety information



DANGER

Danger of electrocution

- ▶ Always switch off the mains power and disconnect the mains before working on the system.
- ▶ Make sure that the vehicle's external mains power supply socket is effectively grounded in accordance with the local regulations.
 - Failure to ground the unit correctly may cause electric shock or fire.
- ▶ Test the air conditioner for leakage current after installation.
- ▶ Immediately turn off the air conditioner and isolate power supply if you detect any unusual odour, smoke or fire.
- ▶ The T 5A 250 V fuse for the air conditioner is located on the electronic control unit. Only replace this with an identical fuse.



DANGER

Danger of injury or death

- ▶ Do not use the air conditioner near flammable fluids or in closed rooms.
- ▶ Make sure that no combustible objects are stored or installed near the air outlet. Keep a clearance of at least 50 cm.
- ▶ Do not reach into the air openings or insert any foreign objects into the air conditioner. Do not operate the air conditioner without its cover.
- ▶ Do not remove or open the upper cover of the air conditioner in the event of a fire. Use appropriate extinguishing agents instead. Never use water to extinguish fires.
- ▶ The air conditioner must be installed securely so that it remains attached to the roof.
- ▶ Always wear protective clothing during installation, such as goggles and gloves.
- ▶ Check whether the vehicle roof is able to support the weight of the installer as well as the air conditioner before climbing onto it.



CAUTION

- ▶ There may be wires above the ceiling. When cutting into the roof, you must isolate the power to prevent the risk of electric shock.
- ▶ Do not spray paint or insecticide on the air conditioner surface.
- ▶ If the unit is equipped with lights, only connect the LED lights to the DC power lead provided by the air conditioner. Connection to any other power source may damage the LED lights.
- ▶ Electrical devices are not toys. Keep electrical appliances out of reach of children or the infirm. Persons whose physical, sensory or mental capabilities are impaired, or whose lack of experience and knowledge prevents them from using the device safely, should not use the device without supervision or instruction by a responsible person.
- ▶ Never drive through automatic car washes with a roof air conditioner installed.
- ▶ If faults occur in the air conditioner's refrigerant circuit, the device must be checked by a specialist company and properly repaired. The refrigerant must never be released into the air.



NOTE

- ▶ Keep the air inlet and outlet of the indoor and outdoor units of the air conditioner clear.
- ▶ Isolate the power supply if you do not use the air conditioner for a long time.
- ▶ Install the air conditioner in compliance with the instructions in this manual. Incorrect installation methods or alteration of the product may cause damage to the product or personal injuries to the user.
- ▶ Clean the filter of the air conditioner regularly.
- ▶ A dirty filter decreases the air flow and leads to poor heating and cooling performance.
- ▶ Ask the vehicle manufacturer if a technical inspection is required after fitting the air conditioner and whether the height of the vehicle entered in the vehicle documents needs to be updated.
- ▶ Switch off the air conditioner via the mains only in case of danger.
- ▶ Contact after-sales service personnel in case of unit faults.

2.3 Qualifications of personnel

Installation and maintenance personnel must:

- Have corresponding qualifications for working on technical / electrical systems.
- Be certified to work on refrigeration conditioning systems.
- Hold current licenses for the work described in this document.

3 Scope of delivery

The system will be delivered in 2 packages.
Please check the delivery for completeness and damage.

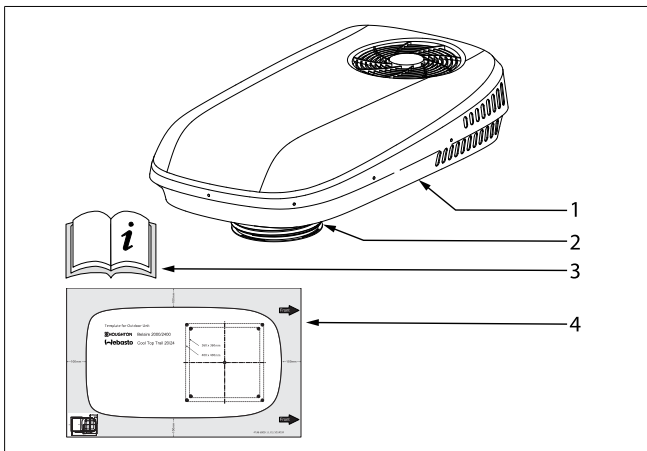


Fig. 1 Outdoor unit

Pos.	Description	Quantity
1	Outdoor unit	1
2	Air outlet duct	1
3	Operating- and Installation instructions	1
4	Template for the outdoor unit	1

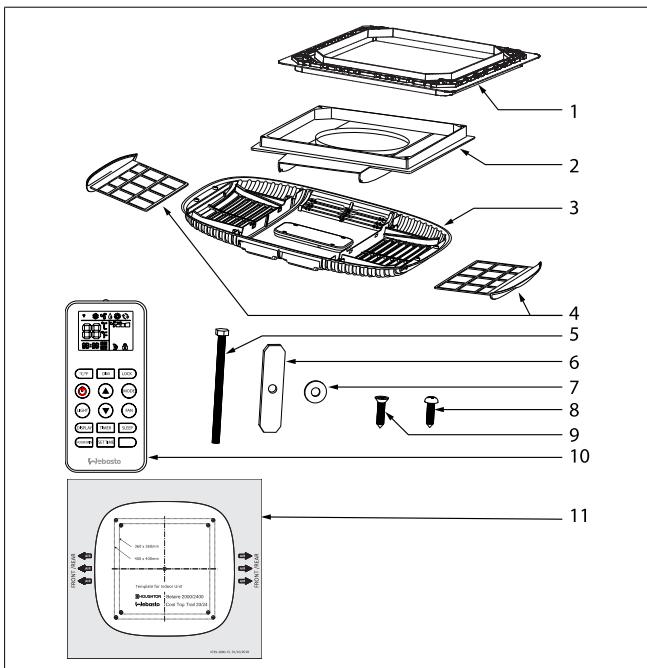


Fig. 2 Indoor unit

Pos.	Description	Quantity
1	Adaptor frame	1
2	Air distributor mounting bracket	1
3	Air distributor	1
4	Return air filter	2
5	M8 x 120 mm hex head bolt	4
6	Metal clamping bar	4
7	Large M8 washer	4
8	Air distributor pan head screw ST4.2*19	4
9	Countersunk head self-tapping screw ST4.2*16-C	6

Pos.	Description	Quantity
10	Remote control with holder and batteries (2 x size AAA)	1
11	Template for the indoor unit	1

4 Required connectors for the CI-BUS

NOTE
This chapter is only applicable if the Cool Top Trail 20 - 24 indoor unit is equipped with a CI-BUS unit and this CI-BUS unit must be connected to an external CI-BUS system.

The CI-BUS unit must be connected with the CI-BUS system in the caravan, motorhome or vehicle with living compartments. This requires the installation of a CI-BUS cable between the CI-BUS system and the CI-BUS unit in the Cool Top Trail 20 - 24. This cable is not included in the scope of delivery.

In case of two Cool Top Trail air conditioners, an interconnection CI-BUS cable between the CI-BUS units in the air conditioners must be installed. This cable is not included in the scope of delivery.

The CI-BUS cables must be fitted with Molex connectors. These connectors are assembled from the parts listed and shown below. These parts are not included in the scope of delivery:

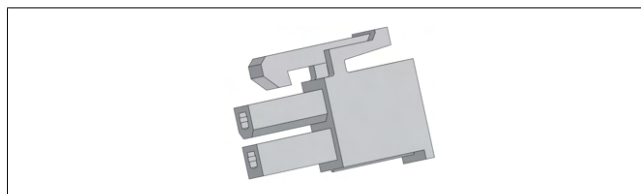


Fig. 3 Housing

Molex Mini-Fit Jr. Receptacle Housing, Dual Row, 2 Circuits, UL 94V-2, Natural

Molex part number:
39012020 (Engineering / Old PN: 5557-02R)



Fig. 4 Crimp terminal

Molex Mini-Fit Female Crimp Terminal, Tin (Sn) over Copper (Cu) Plated Brass

Molex part number (select one type):
39000038 / (Engineering / Old PN: 5556T)
39000046 / (Engineering / Old PN: 5556T2)
39000059 / Old PN: 5556PBT

5 Installation instructions

5.1 General

- Thoroughly read and understand this manual before installation.
- Do not add any other parts or modify the product in the installation.
- Consult Webasto or the local distributor in case of unusual applications or installation conditions that are not specifically covered by this manual.



WARNING

If a heater exhaust pipe is mounted through the roof nearby the A/C unit, then the exhaust pipe must be extended 10 cm above the A/C unit.

5.2 Installation requirements

- The vehicle roof must be able to support the weight of the air conditioner.
- The minimum thickness of roof is 25 mm; the maximum thickness of roof is 70 mm.
- The roof must be level and smooth.

5.3 Different cut-out sizes

The installation is possible for different cut-out sizes.

To install instead of a 400x400 mm roof hatch:

1. Dismount the roof hatch and use the remaining cut-out.
2. Remove sealant residue and unevenness.
3. Fill in the screw holes with flexible non-hardening butyl body sealant.
4. The adaptor frame for 400x400 mm cut-outs is part of the scope of delivery.

To install instead of a 360x360 mm roof hatch:

1. Dismount the roof hatch and use the remaining cut-out.
 - Either you have purchased a unit with a 360x360 adaptor frame or you must buy the optional adaptor frame for such cut-outs. You can use it instead of the 400x400 mm adaptor frame.
2. Remove sealant residue and unevenness.
3. Fill in the screw holes with flexible non-hardening butyl body sealant.

To create a new cut-out:

Depending on the size of the adaptor frame you need to create the corresponding cut-out in the roof.

Consult the vehicle manufacturer for the most suitable way and position for a new cut-out.

5.4 Installation position

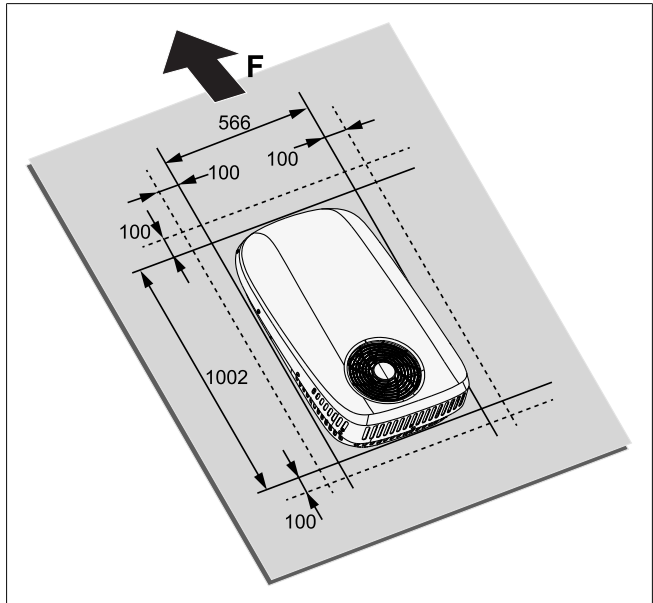


Fig. 5 Installation direction of the outdoor unit

Consider the installation position before installation:

- The intended location must not interfere with existing structures and cables.
- The air conditioner must be installed as close as possible to the centre of the roof.
- The installation position of the outdoor unit must be consistent with the traveling direction (F) of the vehicle.
- Make sure that there is sufficient room on the inside of the vehicle to install the air distributor.
- Consider the installation position of the air distributor and make sure its outlets are at least 400 mm away from cupboards, walls and bulkheads which could redirect conditioned air back towards the return air intake. If an outlet is less than 400 mm from an obstruction, then it should be sealed closed. Failure to do so will result in a unit that frequently cycles on and off.
- The cut-out must avoid roof cladding joints where possible.
- Choose an installation position between two longitudinal supports or sections, if present.
- There must be a minimum of 100 mm clearance all around the rooftop unit to ensure suitable air flow and access for maintenance.



WARNING

When a hatch with safety ventilation function is replaced by the air conditioner, you must make sure that the safety ventilation is restored in another location.



NOTE

The angle of inclination of the air conditioner must not be greater than 5° (= 8.8%) and the rear of the air conditioner must not be higher than the front.

The following illustrations (Fig. 6, Fig. 7 and Fig. 8) show the required installation space for the outdoor unit and the air distributor on the inside for the two different cut-out versions. Centre the air distributor by using the cut-out.



NOTE

All measurements are in mm, unless stated otherwise.

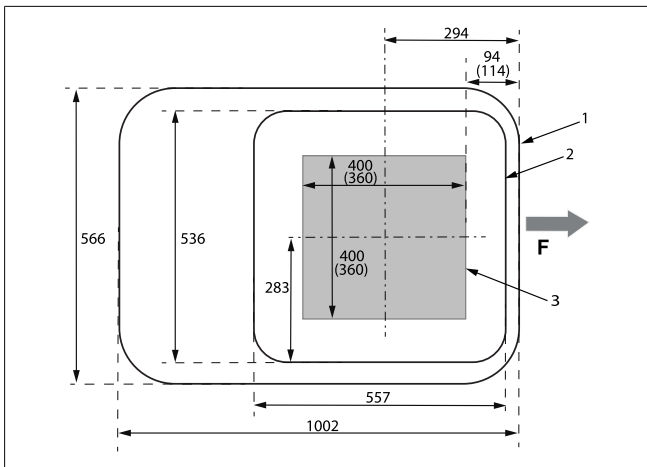


Fig. 6 Installation measurements (top / bottom view)

1	Position of the outdoor unit
2	Position of the air distributor
3	Square cut-out
F	Direction of travel

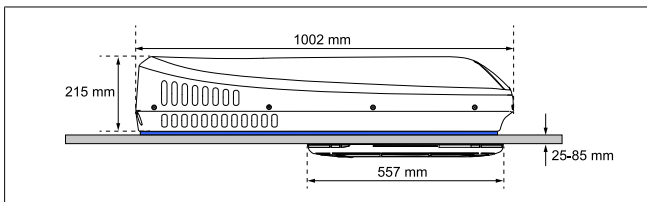


Fig. 7 Installation measurements (side view)

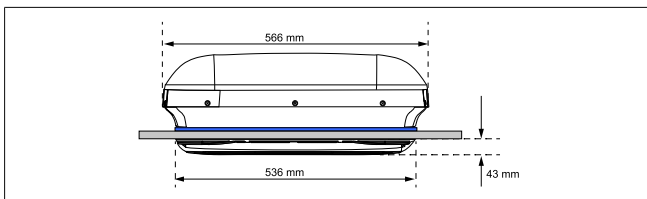


Fig. 8 Installation measurements (front view)

5.5 Roof reinforcements

You must reinforce the cut-out with a wooden frame, using bars which are at least 20 mm wide. You may have to remove insulation material first however.

The reinforcement frame is to make sure that the roof is not crushed by the installation bolts and that air-conditioned air does not enter the ceiling space.

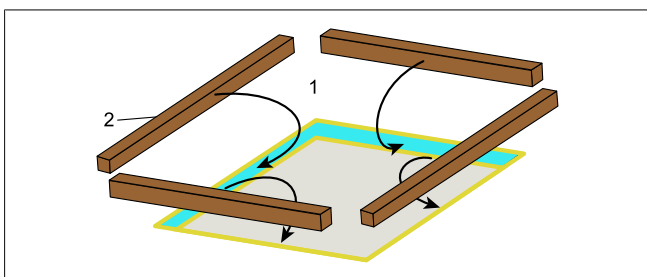


Fig. 9 Roof reinforcement

1	Roof
2	Wooden bars

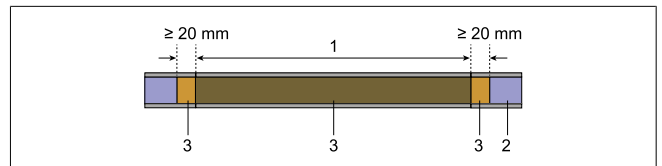


Fig. 10 Cut-out with wooden reinforcement

1	Cut-out
2	Insulation in roof
3	Wooden bars

5.6 Power supply



WARNING

Danger of electrocution

You must make sure that there is no voltage at electrically operated components before working on them. Make sure that the mains power supply or the power supplied by inverters is isolated.



NOTE

Only qualified electricians must make the 230 V electrical connection (in Germany for example, in accordance with VDE 0100, Part 721 or IEC 60364-7-721). When connecting to the mains supply front, it is the installer's responsibility to make sure that local wiring regulations are followed.

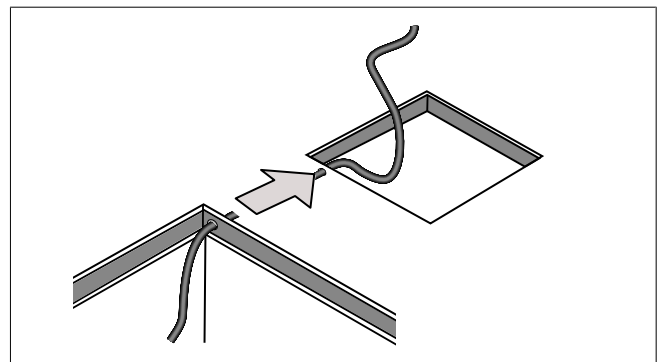


Fig. 11 Electrical power supply cable

1. Make sure that the 230 V power supply is connected to a residual current device.
2. Install a circuit breaker with a contact clearance of at least 3.5 mm and an all-pole insulation to protect the power supply cable to the A/C unit and to allow maintenance and repair work on the unit.
3. Provide a 230 V~ power supply cable to the cut-out.
4. Optionally lead the power supply cable through the roof insulation as shown above.
5. Drill a hole in the wooden bar through which to route the power supply cable.
6. Route the power supply cable through the hole in the wooden bar before mounting the bar.
7. Attach and lay the cables so that they cannot be tripped over or damaged.
8. Use cable ducts to route cables through walls with sharp edges.
9. Make sure that the minimum cross sections of the cable corresponding to the current draw of the unit.
10. Do not lay 230 V cables and 12/24 V cables together in the same cable duct.

11. Do not lay loose or bent cables next to electrically conductive material (metal).

5.7 CI-BUS Cable(s)

NOTE

This chapter is only applicable if the Cool Top Trail 20 - 24 indoor unit is equipped with a CI-BUS unit and this CI-BUS unit must be connected to an external CI-BUS system.

To assemble the CI-BUS cables, follow the instructions in chapter 5.7.1, "CI-BUS cable assembly" on page 8.

Use the appropriate CI-BUS cable to connect the CI-BUS unit to the CI-BUS system.

If two Cool Top Trail air conditioners are installed, use the CI-BUS interconnection cable to connect the CI-BUS units.

WARNING



Danger of electrocution

You must make sure that there is no voltage at electrically operated components before working on them. Make sure that the mains power supply or the power supplied by inverters is isolated.

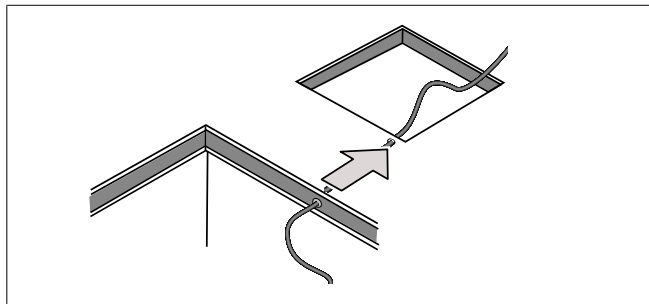


Fig. 12 CI-BUS cable

NOTE

Malfunctioning of the CI-BUS

Do not lay mains cables, the CI-BUS cable(s) and 12/24 V cables together in the same cable duct.

1. Optionally lead the CI-BUS cable through the roof insulation as shown above.
2. Drill a hole in the wooden bar through which to route the CI-BUS cable.
3. Route the CI-BUS cable through the hole in the wooden bar before mounting the bar.
4. Attach and lay the cables so that they cannot be tripped over or damaged.
5. Use cable ducts to route cables through walls with sharp edges.
6. Do not lay loose or bent cables next to electrically conductive material (metal).
7. Route the CI-BUS cable to the indoor area of the caravan, vehicle or motorhome.
8. Route the CI-BUS cable to the Cool Top trail air conditioner.
9. In case of two Cool Top Trail air conditioners route a CI-BUS interconnection cable between the two CI-BUS units.

5.7.1 CI-BUS cable assembly

The CI-BUS cables must be assembled with appropriate crimp terminals and a matching housing. See chapter 4, "Required connectors for the CI-BUS" on page 5 for specification details. Always adhere to the manufacturer's guidelines.

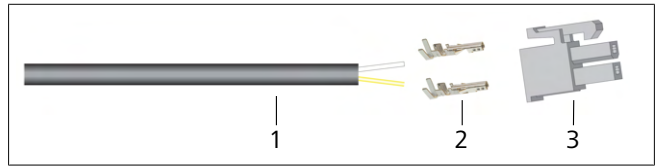


Fig. 13 CI-BUS cable assembly

1	Cable
2	Crimp terminals
3	Housing

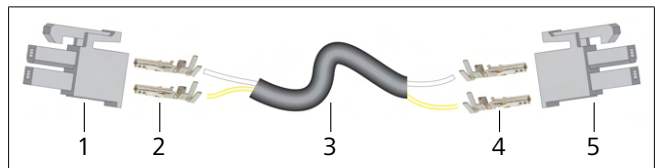


Fig. 14 CI-BUS interconnection cable assembly between two CI-BUS units

1	Housing CI-BUS (CI-BUS unit 1)
2	Crimp terminals CI-BUS (CI-BUS unit 1)
3	Cable
4	Crimp terminals CI-BUS (CI-BUS unit 2)
5	Housing CI-BUS (CI-BUS unit 2)

5.8 Installing the adaptor frame

1. Make sure the roof is clean, dry and free from oil or grease.
2. Insert the adaptor frame into the cut-out to make sure that the power supply cable and the CI-BUS cable (if applicable) do not interfere with the frame. If the cables cause obstructions, then cut or drill openings in the bottom of the frame to lead the cables through.
3. Confirm the correct orientation of the frame by using the "This side up" label.

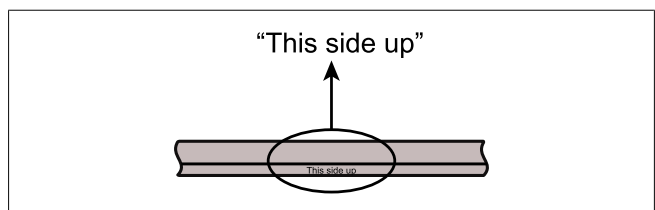


Fig. 15 Orientation of the adaptor frame

4. Turn the part over and on the reverse side of "This side up", apply silicone sealant uniformly over the path shown.

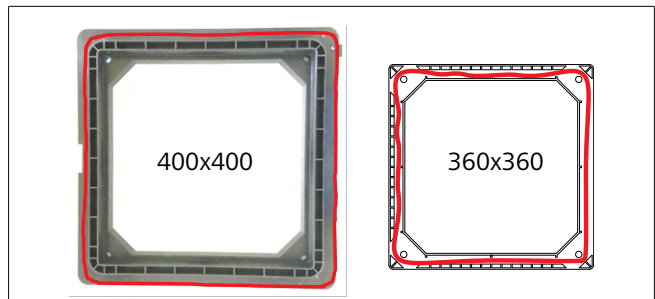


Fig. 16 Sealant paths

- Turn the part over again and make sure "This side up" is up. Press down firmly over the installation hole and remove any sealant that has squeezed out.

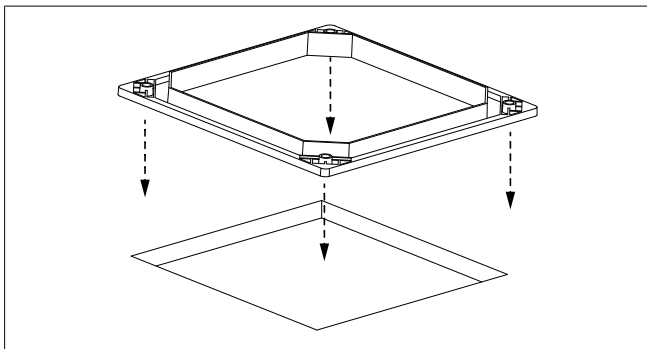


Fig. 17 Forming an effective seal

5.9 Installing the outdoor unit

Place the outdoor unit over the installed adaptor frame, and adjust the position to make sure that the four bolt holes on the corners are properly aligned.

NOTE

The outdoor unit is heavy. Always have a second person to help carrying the unit.
Do not lift the outdoor unit by the upper white cover. Lift it by the bottom base.

Using the M8 bolts, verify that the holes of the outdoor unit are aligned with the holes of the adaptor. If they are not, then reposition the outdoor unit accordingly.

Do not apply additional sealant between the outdoor unit and the adaptor frame.

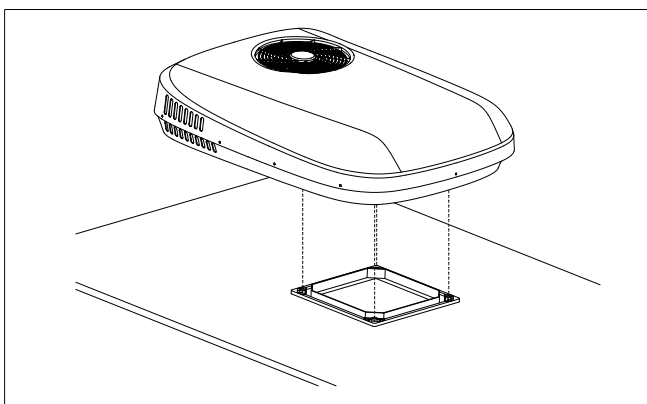


Fig. 18 Positioning the outdoor unit

5.10 Connecting the power supply

- Look upward from inside the vehicle, and locate the terminal blocks (1).
- Release the orange levers.
- Strip the wires to a length of 10 mm (for WAGO 222-412).
- Insert the wires of the power supply cable into the 2-pole terminal blocks. Match the corresponding active, neutral, and the ground wires.
- Close the orange levers to make sure that the power lead is secure and properly connected.

NOTE

Failure to secure the connections properly may result in a short circuit or a fire.

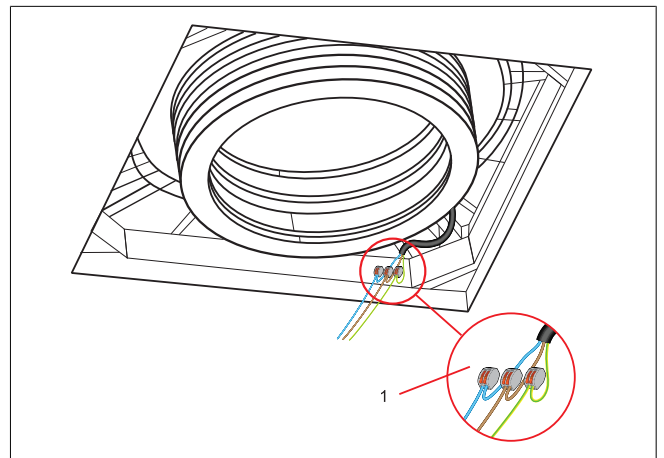


Fig. 19 Location of the terminal blocks

5.11 Installing the air distributor mounting bracket

- Prepare the M8 bolts (4), washers (3) and fixing metal clamping bars (2) as illustrated.
- Lift the air distributor mounting bracket (1) towards the air conditioner.
- Insert the M8 bolts, with its washers, and metal clamping bars into the 4 corner holes of the air distributor's mounting bracket.
- Screw the bolts into their receiving threads by hand to ensure proper engagement.
- Make sure that all bolts are screwed in correctly. Minimally apply 2 rotations to avoid cross threading.
- Make sure that the metal clamping bars align with the corresponding recess in the air distributor's mounting bracket while you tighten the bolts.
- Finally, tighten up all four bolts evenly to 8 Nm torque.

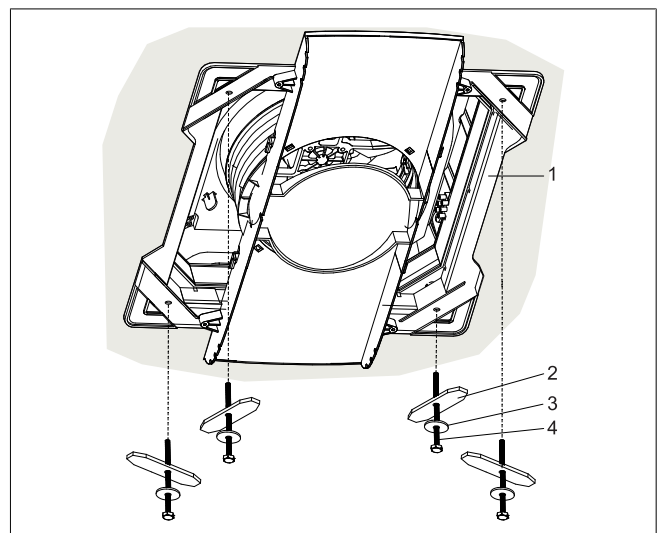


Fig. 20 Installing the bolts

5.12 Connecting the air outlet duct

1. Hold the free end of the air outlet duct (2) and pull it down until it touches the air distributor mounting bracket (1).
2. Continue to pull the rim of the duct down until it engages with the four latches (3) on the air distributor's mounting bracket.
3. You will know that the duct is correctly connected when you hear distinct clicking sounds of the four latches, and when the rim of the duct (5) is parallel to the surface of the bracket (4).

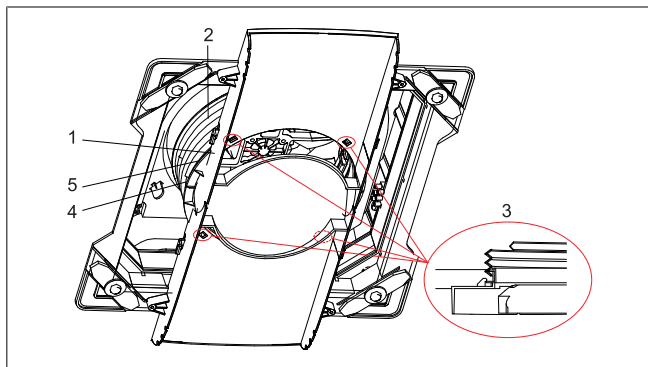


Fig. 21 Connecting the air outlet duct

5.13 Connecting the indoor and outdoor unit cables

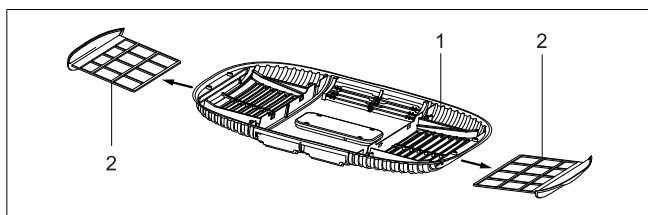


Fig. 22 Removing the air filter

1. Remove the air filters (2) from the air distributor (1).

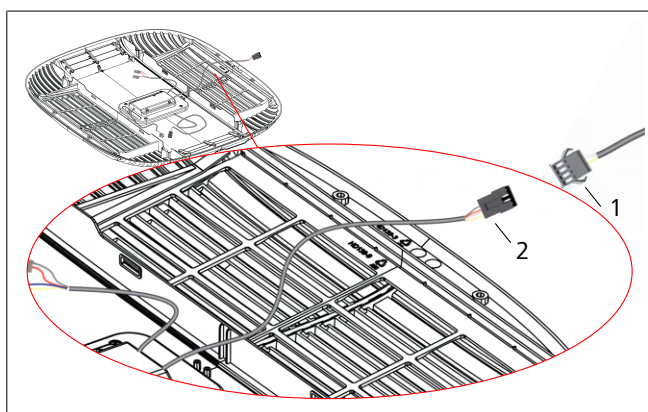


Fig. 23 Connecting the outdoor unit connector to the CI-BUS unit

2. Insert the outdoor unit connector (1) into the corresponding connector (2) of the CI-BUS unit.

5.14 Connecting the CI-BUS cables

NOTE

This chapter is only applicable if the Cool Top Trail 20 - 24 indoor unit is equipped with a CI-BUS unit and this CI-BUS unit must be connected to an external CI-BUS system.

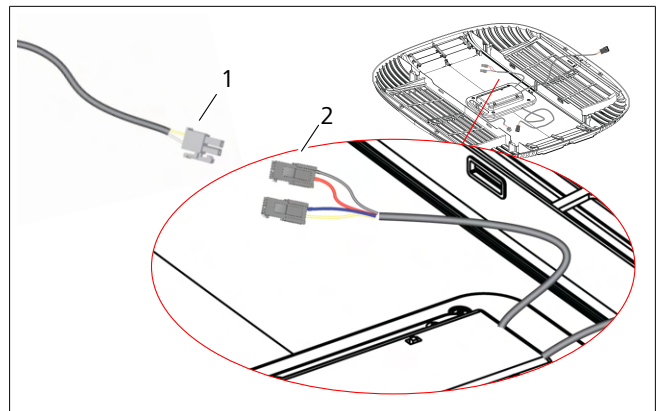


Fig. 24 Connecting the CI-BUS system to the CI-BUS unit

1. Insert the CI-BUS connector (1) into the corresponding CI-BUS connector (2) of the CI-BUS unit.

NOTE

Switch settings

If you have two Cool Top Trail air conditioners, both with a CI-BUS unit installed, you must set the ID-switch of each CI-BUS unit differently.

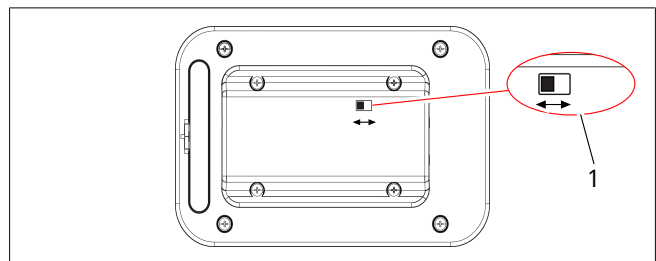


Fig. 25 Top view of the CI-BUS unit

2. Set the ID-switch (1) in the left position for one CI-BUS unit and in the right position for the other CI-BUS unit.

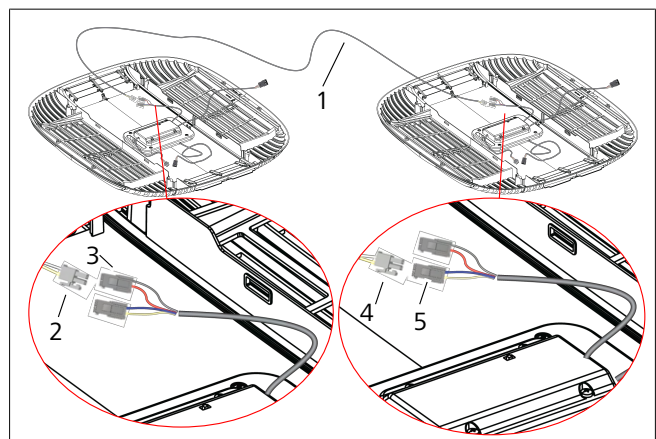


Fig. 26 Connecting two CI-BUS units

3. If two Cool Top Trail air conditioners are installed, use the interconnection cable (1).
4. Insert the connector (2) of the cable into the CI-BUS connector (3) of the first CI-BUS unit
5. Insert the other connector (4) of the cable into the auxiliary CI-BUS connector (5) of the second CI-BUS unit.

5.15 Installing the air distributor assembly

1. Attach the air distributor (1) to the air distributor mounting bracket (3) by engaging the two parts.
 - You will hear four clicks of the latches (2) when the air distributor (1) and the mounting bracket (3) connect together.

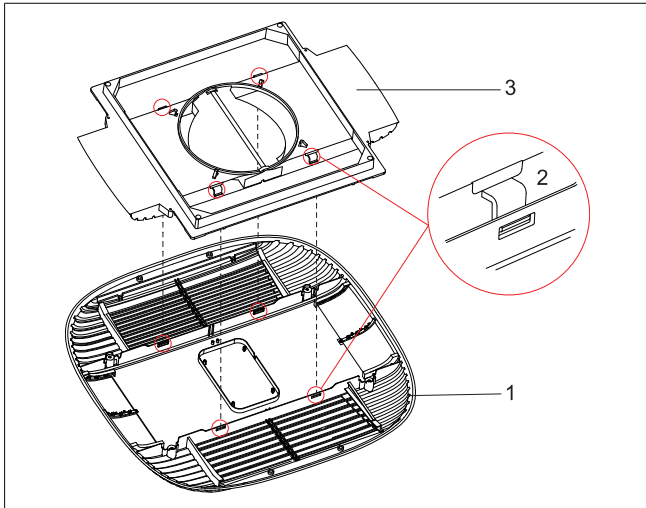


Fig. 27 Attaching the air distributor assembly to the mounting bracket

2. Fix the air distributor (1) on the air distributor mounting bracket with four ST4.2 * 19 pan head screws (2).

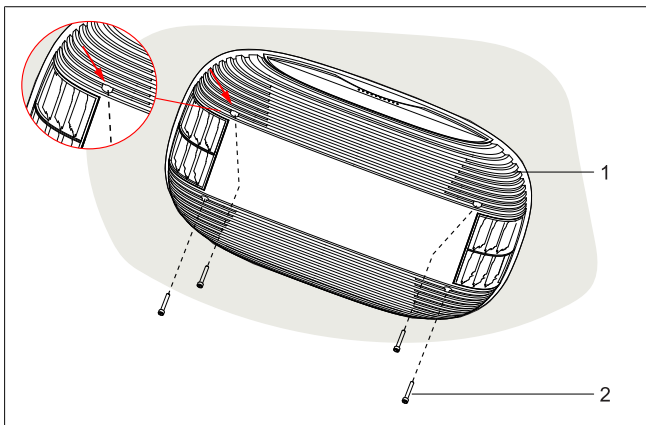


Fig. 28 Fixing the air distributor assembly to the mounting bracket

- The following step is optional. The purpose of this step is to close a potential gap between the air distributor and the ceiling of the vehicle by using 4 countersunk screws.
 - To install these screws:
3. Attach the air distributor (1) to the ceiling using 4 countersunk screws (2).

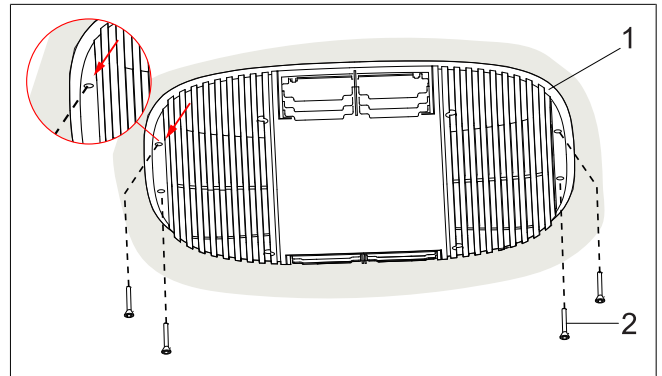


Fig. 29 Fixing the air distributor to the ceiling

4. Install the air filters (2) as illustrated below:

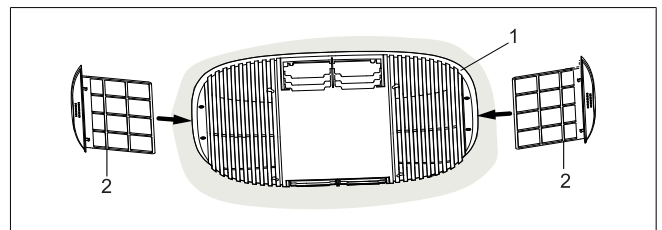


Fig. 30 Installing the air filters

5.16 Installing the remote control holder

1. Find a convenient location to install the remote control holder (1).
2. Use the 2 countersunk screws (2) to secure the holder.

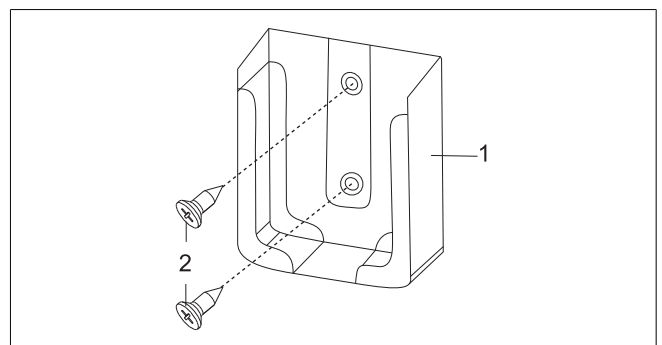


Fig. 31 Remote control holder

5.17 Testing the system

- Test all air conditioner functions as described in chapter 6, "Operating Instructions" on page 12.
- Make sure that the condensate outlets are clear after installing the outdoor unit.
- Enter the new vehicle height and weight in the vehicle documents if required.
- Hand this document over to the new vehicle owner.

6 Operating Instructions

6.1 Before usage



NOTE

Before switching on, make sure that the supply voltage and frequency corresponds to the values of the air conditioner.



NOTE

Make sure that the amperage provided by the external power supply is sufficient.



NOTE

Always completely unwind the cable drum to prevent the power supply extension cable to the vehicle from overheating and losing voltage.



NOTE

The extension cable must have a minimum cross section of 3x2.5 mm².



NOTE

You must make sure that the air outlet and intake grilles are not covered by cloths, paper or other objects.



NOTE

After removing the remote control back cover, insert two (2) AAA LR3 leak-proof batteries into the remote control. Then replace the cover on the back.



NOTE

When using the remote control, point it at the air distributor to have the best signal transmission. The air distributor beeps as soon as it receives a signal.



NOTE

The icons that are shown in the remote control display depend on the settings you are accessing.



NOTE

After selecting **COOL** or **HEAT** mode, the compressor may delay starting for 3 minutes. This feature protects the compressor.



NOTE

To set the system clock, see chapter 6.10, "Setting the system clock" on page 15.

6.2 How to heat and cool effectively

The following general measures are very useful to reduce the heat load within a vehicle and improve the performance of the air conditioner:

- Park your vehicle in the shade when possible.
- Position your vehicle with the sunshade facing the sun-side. This reduces exposure to direct sunlight.
- Close all doors, skylights and windows, close the curtains and open the sunshade or awning.
- Turn off within the vehicle, all electrical appliances running unnecessary. This will further reduce the heat load.
- Cook outside the vehicle when possible.
- In case of exceptionally high temperatures, turn on the air conditioner in advance during the morning.
- If vehicle interior has already heated up, ventilate your vehicle by opening doors and windows **before** starting the A/C unit.
- Regularly clean the vehicle's roof; dirty roofs heat up more.

In the same way that many factors affect the total heat load within a vehicle, many additional factors can affect the air conditioner working efficiency. It may be advisable to consult your vehicle manufacturer to fully understand the total heat load of your vehicle.

6.3 Dealing with condensation

When warm and moist air within the vehicle meets a cold surface, this is likely to result in condensation water. This is also known as "sweating". To deal with this:

- Close and seal all doors, skylights, and windows. This reduces the entrance of warm moist air.
- Operate the inside fan on **High** fan speed, avoiding **Low** and **Auto** fan speeds.

When operating the air conditioner, condensate water is produced and drained onto the roof. This is normal. The amount of condensate water depends on air humidity. High humidity inside your vehicle will result in more condensate water being generated.



NOTE

Losses or damages caused by condensate water are not within the warranty scope.

6.4 Choosing and using a generator or inverter

The CTT 20 - 24 requires a mains-quality AC power source for correct operation. If you decide to supply power using a generator or an inverter, you must consult your generator / inverter supplier to confirm suitability and sizing of the generator / inverter for your application.



NOTE

Losses or damage caused by the use of a generator or inverter are not within the warranty scope.

6.5 Using the remote control

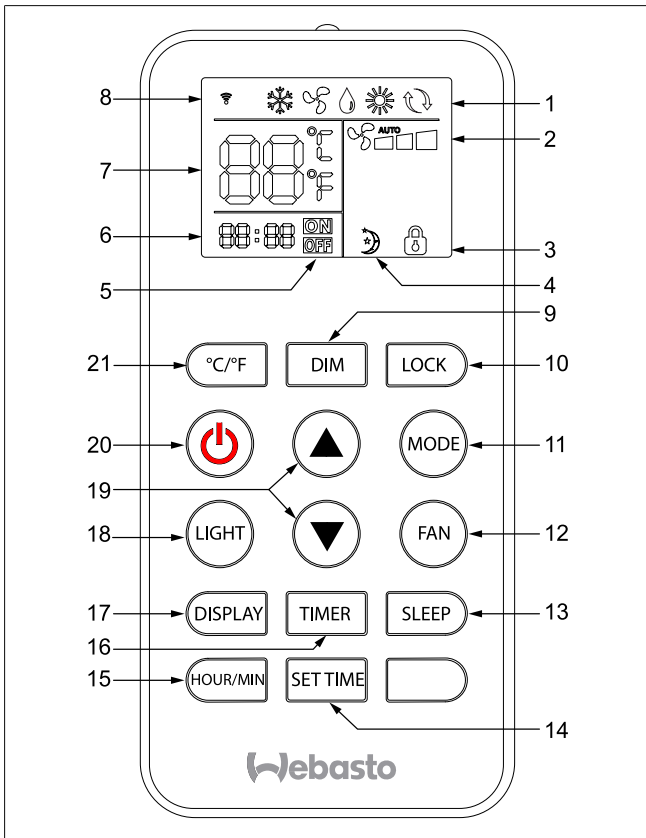


Fig. 32 Remote control overview

Display icons	Information
1 Mode display	COOL / FAN / DRY / HEAT / AUTO
2 Fan speed display	Low / Medium / High / Auto
3 Lock function display	-
4 Sleep function display	-
5 Timer ON / OFF status indicator	-
6 Clock / Timer display	Real time clock, time of timer during setup.
7 Temperature display	Shows the setpoint temperature or the indoor temperature. Units in °C or °F.
8 Data Transmission	Symbols shows up briefly when the remote control transmits data to the A/C unit.

Operating buttons	Function
9 DIM*	Selects the brightness of the LED lights: 25%, 50%, 75%, 100%
10 LOCK	Disables the touch control on the air distributor when the unit is ON. Press the button again to unlock.
11 MODE	Selects the operation mode COOL / DRY / FAN / HEAT / AUTO.
12 FAN	Selects Low / Medium / High or AUTO fan speed. AUTO fan speed is only possible in COOL / HEAT mode. With AUTO fan speed the fan automatically adjusts between Low, Medium and High.
13 SLEEP	Selects the sleep mode. Only available in COOL or HEAT mode.
14 SET TIME	Enters CLOCK / TIMER setting mode.

Operating buttons	Function
15 HOUR/MIN	Changes between hour or minutes settings.
16 TIMER	Activates different timer settings.
17 DISPLAY	Switches the display of the air distributor On / Off.
18 LIGHT*	Switches the LED lights on the air distributor On / Off.
19 Up / Down	Adjusts the setpoint temperature, clock or timer.
20 ON / OFF	Switches the system On / Off.
21 °C/°F	Selects the temperature units, Celsius or Fahrenheit, of the temperature display.

* Only applicable to units with LED lights.

6.6 Switching the unit ON / OFF

To switch the unit on, press the button on the remote control.

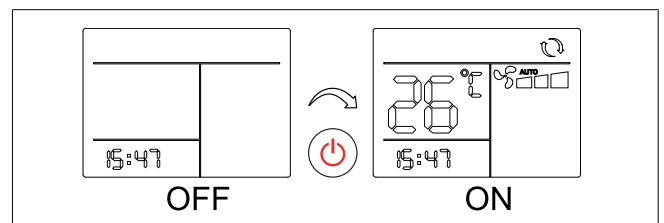


Fig. 33 Switching the unit on

- The unit switches on and the display of the air distributor shows the set temperature and operation mode.
- The display of the remote control shows the set temperature, operation mode and fan speed level.
- The last settings are retrieved.
- The indoor fan may start immediately if the unit is in fan or cool mode. If in heating mode there will be a delay while the inside coil heats up before the inside fan turns on - preventing a cold draft.
- It may take up to 3 minutes for the compressor to start operation. This is a feature to protect the compressor.

To switch the unit off, press the button again.

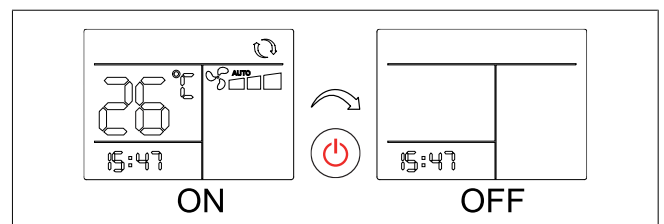


Fig. 34 Switching the unit off

- The unit switches off, the display of the air distributor blanks.
- The display of the remote control shows only the clock.

You can also switch the unit on and off by pushing the touch button at the air distributor, see chapter 6.16, "Operating the air distributor without the remote control" on page 16 for details.

6.7 Setting the temperature

Use the / buttons to change the set temperature.

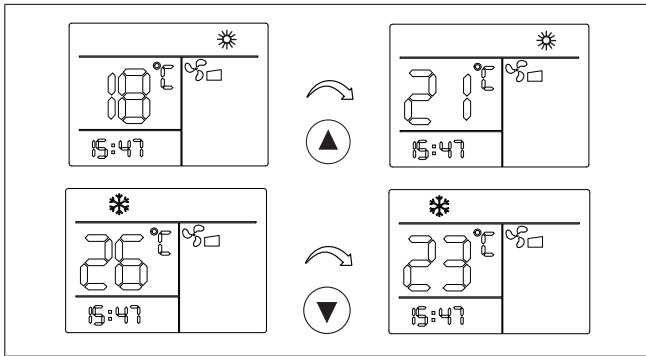


Fig. 35 Setting the temperature

- Both the display of the remote control and the display of the air distributor show the set temperature.
- The air conditioner confirms receiving each set value change with a beep.
- You can set the temperature between 16 and 30 °C when the unit is running.
- You cannot set the temperature in FAN mode.

6.8 Setting the fan speed

Use the FAN button to set the fan speed level.

- The fan speed level directly influences the air flow volume.
- Each push on the FAN button changes the fan level in the sequence as shown below.

AUTO indicates that the Automatic FAN mode is selected. In this mode the fan speed adapts automatically. Automatic FAN mode is only available in operation mode COOL or HEAT.

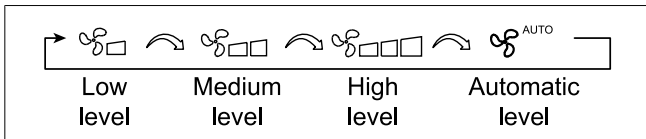


Fig. 36 Setting the fan speed

6.9 Setting the operation mode

Press the MODE button on the remote control to change the operation mode. The remote control shows the selected icons.

- Each push on the MODE button changes the mode in the sequence as shown below.

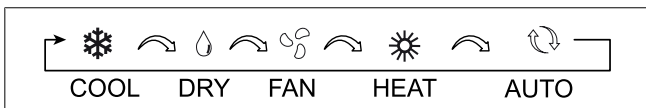


Fig. 37 Setting the operation mode

COOL mode ❄️

- In COOL mode the air distributor shows the ❄️ symbol and the vehicle will be cooled.
- Set temperature and fan speed can be selected manually.
- The compressor switches off when the set temperature is reached, it automatically switches on again when the room temperature setting is exceeded.

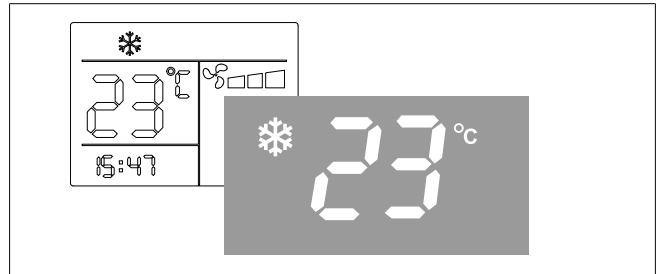


Fig. 38 COOL mode

DRY mode 💧

- In DRY mode the unit is reducing the humidity inside the vehicle.
- Set the temperature 1 °C lower than the current room temperature.
- The air distributor shows the ❄️ symbol.

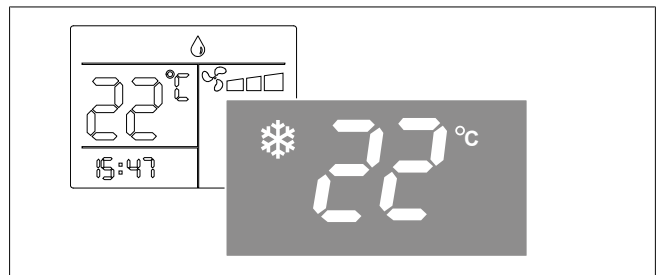


Fig. 39 DRY mode

FAN mode 🌀

- In FAN mode indoor air is circulated through the vehicle without heating or cooling.
- You can manually set the fan speed.
- The air distributor shows the 🌀 icon as well as the current room temperature.

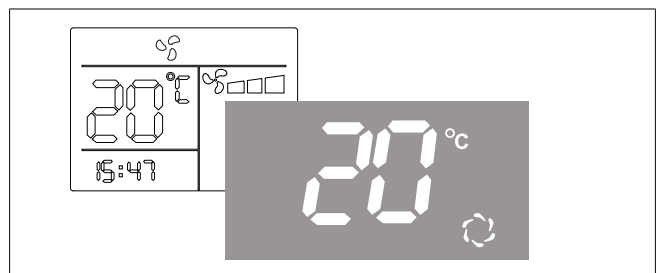



Fig. 40 FAN mode

HEAT mode

- In HEAT mode the air distributor shows the  icon and the vehicle will be heated.
- You can manually set the temperature and fan speed.
- The compressor switches off when the set temperature is reached, it automatically switches on again when the room temperature drops below the set point.

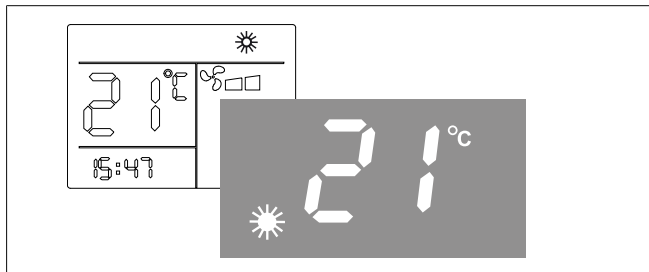




Fig. 41 HEAT mode



NOTE

When operating in heating mode in low ambient temperatures the unit periodically defrosts the outside heat exchanger. The air distributor displays “dF” during defrosting and returns to heating when the defrost is completed.

AUTO mode

- In AUTO mode the unit automatically selects heating or cooling mode depending on the difference between current room temperature and set point temperature.
- You can manually select the set temperature and fan speed.
- The air distributor shows the  icon in heating mode and the  icon in cooling mode as well as the set temperature.

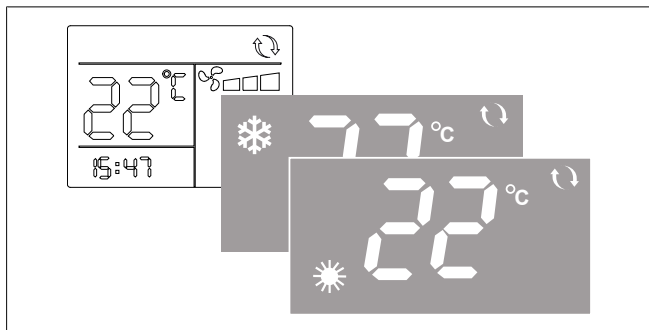
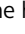
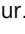

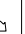


Fig. 42 AUTO mode

6.10 Setting the system clock

1. Press the SET TIME button. The **hour** digits are flashing now.
2. Press the  /  button to set the hour.
3. Press the HOUR/MIN button. The **minute** digits are flashing now.
4. Press the  /  button to set the minutes.
5. Press the SET TIME button 3 times to end the setting mode. Alternatively, wait 10 seconds until the digits stop flashing.

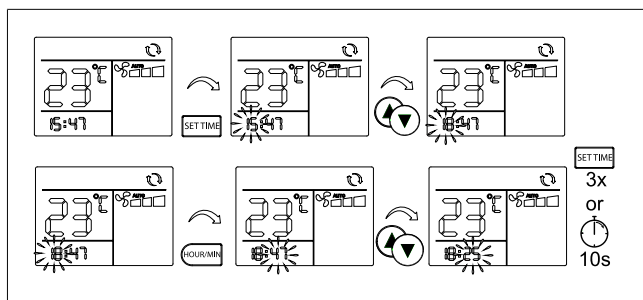










Fig. 43 Setting the system clock

6.11 Setting the timer

The timer can be set to start and stop the unit at a pre-programmed time. In a first step these start and stop times must be set.

1. Press the SET TIME button twice until the upper right side of the clock displays ON and the **hour** digits are flashing.
2. Press the  /  button to set the **hour** when you want the unit to switch on.
3. Press the HOUR/MIN button, and then press the  /  button to set the **minutes**.
4. Press the SET TIME button again until the lower right side of the clock displays OFF and the **hour** digits are flashing.
5. Press the  /  button to set the **hour** when you want the unit to switch off.
6. Press the HOUR/MIN button, and then press the  /  button to set the **minutes**.
7. To end the setting mode press the SET TIME button again. The clock time is shown. Alternatively, 10 seconds until the digits stop flashing.



NOTE

You have now set the timer ON and OFF times, but these must be activated separately. See chapter 6.12, "Activating the timer" on page 16.

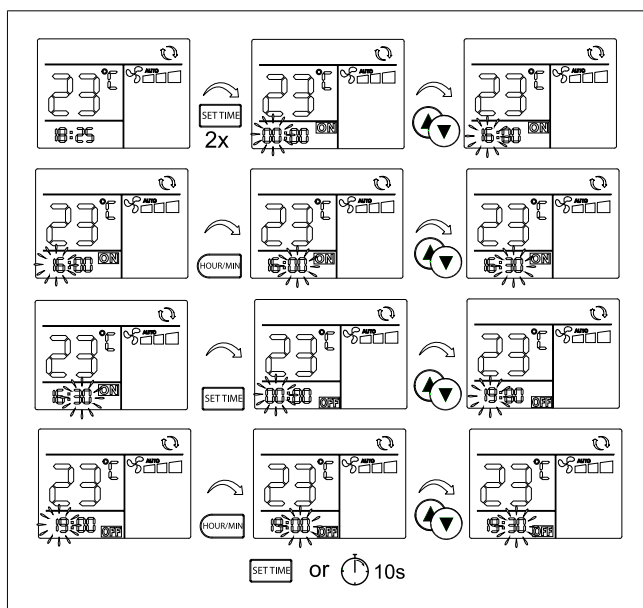


Fig. 44 Setting the timer

6.12 Activating the timer

Before activating the timer, select the operation mode, the set temperature, and the desired fan level.

After the start and stop times are set (see chapter 6.11, "Setting the timer" on page 15) one of the three different TIMER modes can be activated:

- **TIMER ON mode**
In this mode the unit will switch on at the desired ON time and keep on running.
- **TIMER OFF mode**
In this mode the unit will stop running at the desired OFF time and will stay off.
- **TIMER ON / OFF mode**
In this mode the unit will start to run at the ON time and stop running at the OFF time. This pattern will be repeated every day.

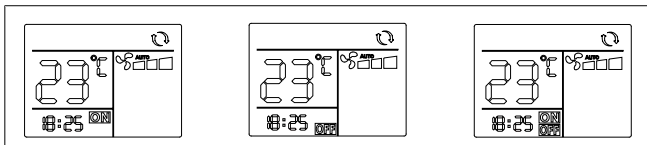


Fig. 45 TIMER Modes

1. Press the TIMER button repeatedly until either the ON or OFF or both symbols are flashing depending on which timer mode is preferred.
2. To confirm the selection wait 10 seconds until the symbol stops flashing and is shown permanently. The clock time is now displayed again.

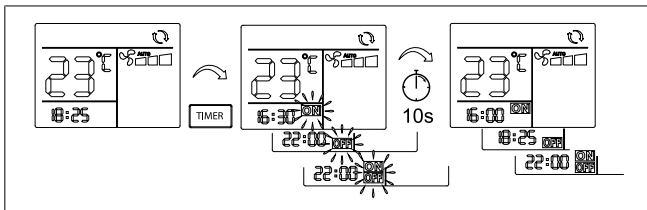


Fig. 46 Activating the timer

NOTE

If the clock is displayed without an ON / OFF icon, then you have not activated the timer.

6.13 Setting the sleep function

The sleep function automatically modifies the target temperature to provide a comfortable sleeping temperature. This also helps to reduce compressor run time, energy consumption and noise levels.

1. Press the SLEEP button to activate the sleep function.
 - The icon is displayed in the display of the remote control to indicate that the sleep function is activated.
 - In COOL mode the set temperature will automatically increase in two steps and it will have increased by 2 °C after two hours.
 - In HEAT mode the set temperature will automatically decrease in three steps and it will have decreased by 3 °C after two hours.
 - The sleep function is only available in COOL or HEAT mode.
2. Press the SLEEP button again to deactivate the sleep function.

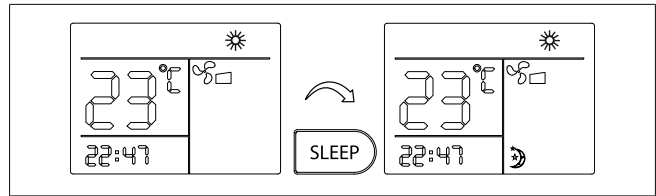


Fig. 47 Setting the sleep function

6.14 Changing the unit of temperature

Press the °C/°F button to select which temperature unit you want to be displayed: Celsius or Fahrenheit.

- You can do this in any mode.
- The display on the air distributor follows the selection made on the remote control.

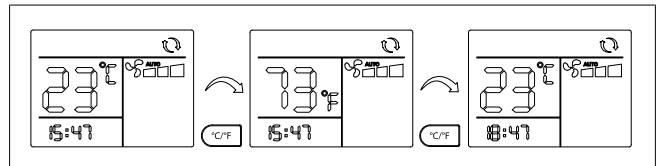


Fig. 48 Celsius / Fahrenheit selection

6.15 Resetting the remote control

To reset the remote control to factory settings:

1. Take out the batteries and then put them back in. See also chapter 7.2, "Remote control batteries" on page 17.
2. Set the clock again. See chapter 6.10, "Setting the system clock" on page 15.
3. Activate the timer again, if in use. See chapter 6.12, "Activating the timer" on page 16.

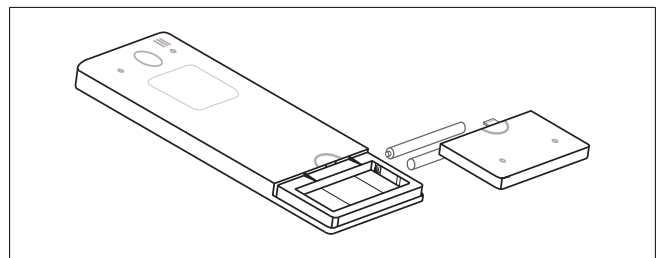


Fig. 49 Resetting the remote control

6.16 Operating the air distributor without the remote control

You can control the basic functions of the air conditioner by using the touch button on the display of the air distributor. This is useful if you cannot immediately find the remote control or if it has run out of power.

1. Press the touch button at the air distributor display. With each press you cycle through the modes: OFF, COOL, FAN, HEAT.

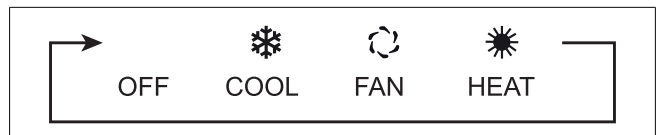


Fig. 50 Setting the operation mode

- In cooling and heating mode the setpoint temperature is automatically set to 24 °C and the fan speed is set to HIGH.

2. Use the remote control to select any other temperature or fan speed.
3. You cannot select AUTO mode at the air distributor, but the display will show the "auto mode" icon in the top right corner if this has been selected through the remote control.

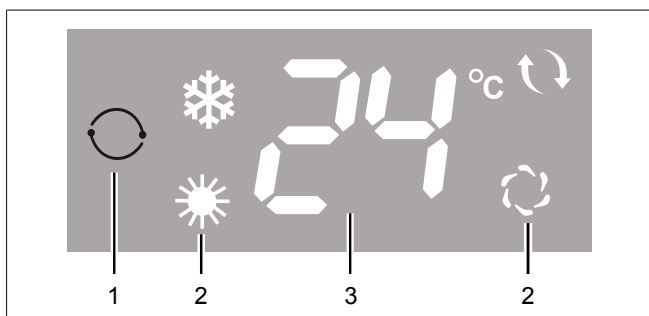


Fig. 51 Display on the air distributor

1	Touch button
2	Operation mode symbols
3	Temperature display

6.17 Adjusting the air outlets

Adjust the direction and angle of the air outlet by moving one blade around its axis. The three blades move together.



Fig. 52 Adjusting the air outlets

7 Maintenance

7.1 Air filter

The return air filters need periodic maintenance.

- Check and clean the filters every week, when in use, to prevent the filters from being blocked by dirt.
 - You must wash the filters frequently to ensure effective cooling and heating.
1. Pull out the filters (1) from the air distributor (2).
 2. Clean the filters with warm water and detergent.
 3. Let it dry before installing again.

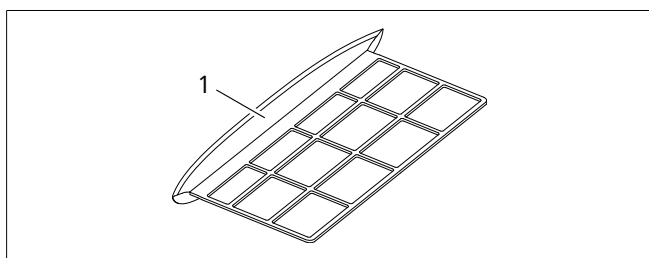


Fig. 53 Air filter

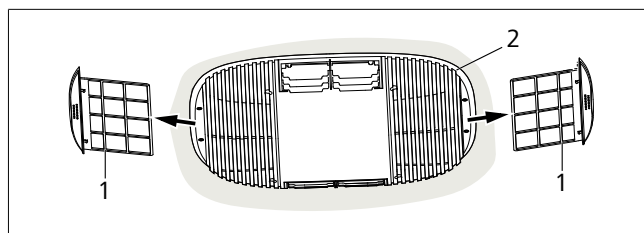


Fig. 54 Removing the air filters

NOTE
Replacement filters can be ordered separately. Never operate the air conditioner without a filter. This can cause fouling of the heat exchanger and lead to a loss of power.

7.2 Remote control batteries

- Change the remote control batteries (2 x AAA type) when the display of the remote control becomes unreadable and / or blurry.
- Remove the batteries from the remote control if the remote control is not used for a long time to prevent damage to the remote control from leaking batteries.

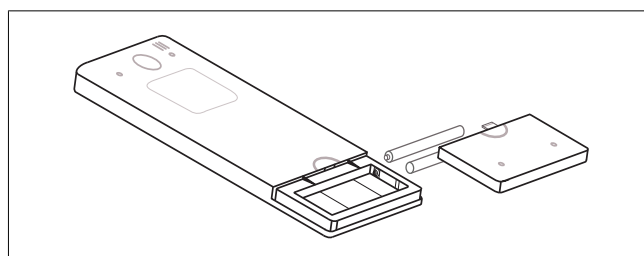



Fig. 55 Remote control batteries

See also chapter 6.15, "Resetting the remote control" on page 16.



All batteries and electronic devices are the subject to European Directive 2006/66 / EC or 2002/96 / EC and later must not be disposed of with household waste. See also <https://eur-lex.europa.eu/advanced-search-form.html>.

Every consumer is legally obliged to dispose of batteries and electronic equipment only in marked recycling bins at a waste collection point. The return is free of charge.

See also: chapter 9, "Disposal" on page 19.

7.3 Bolt check

Check the four bolts holding the unit to the roof for tightness 3 months after first installation of the product.

Inspect the bolts regularly; minimally every 12 months. Retighten to 8 Nm if necessary.

7.4 Regular usage

Webasto recommends that you operate the air conditioner regularly to ensure good performance. Minimally run the unit every 6 months for at least for 20 - 30 minutes.

7.5 Cleaning

Regularly remove leaves or other dirt from the ventilation grilles of the outdoor unit.

- Regularly clean the unit using a soft, damp cloth and mild detergent.
- Clean the vehicle roof at regular intervals. A dirty roof heats up more than a clean roof.





CAUTION

- ▶ Never drive through automatic car washes with a roof air conditioner installed.
- ▶ Do not spray into the openings of the unit with a high-pressure cleaner.
- ▶ Do not use hot cleaners and steam cleaners.
- ▶ Do not use sharp or hard objects for cleaning.
- ▶ Never use petrol, diesel, solvents or aggressive cleaning agents.

7.6 Heat exchangers

Minimally have your unit's heat exchangers cleaned by a specialist workshop once per year.

8 Troubleshooting

Symptom	Action
No air distributor display when the unit is turned ON.	<p>Check if:</p> <ul style="list-style-type: none"> ● Power is supplied to the vehicle and circuit breakers are on. ● The remote control battery is OK. ● The remote control is off. ● The voltage is too low. ● The amperage of the circuit breaker in the external power supply is too low.
Cooling not available.	<p>Check that the cooling mode is selected and the air distributor display shows:</p>  <p>Use the remote control to set required temperature below the current room temperature. The compressor will delay a re-start for 3 minutes.</p>
Heating not available.	<p>Check that heating mode is selected and the air distributor display shows:</p>  <p>Use the remote control to set required temperature above the current room temperature. More time would be needed for starting heating under extremely cold condition. When the unit is in heating mode and the outside temperature is very low the unit may automatically enter defrost mode. The heating will temporarily stop as the unit warms the outside heat exchanger to remove any frost & ice. Heating will resume when the outside heat exchanger has been cleared. During defrost the unit displays "dF".</p>
Poor cooling capacity.	<p>Make sure the filter is clean. Increase the fan speed to high to obtain the maximum capacity. Make sure all doors and windows as well as the sunroof are closed. Use curtains and awnings to decrease the heat load. Check that the air openings of outdoor unit are not soiled or blocked.</p>
Water dripping out of the air distributor.	<p>Unblock condensate outlets of outdoor unit. Check the adaptor frame seal. Park the vehicle in a more horizontal position, with an angle < 5° (8,8%). Increase the fan speed to high if condensate forms on the outside of the air distributor.</p>
Fault codes on the panel:	
-	If there is "0" or a jumbled display while on generator supply this may indicate unstable voltage and current.
E0	Communication fault.
E1	Room temperature sensor fault.
E2	Indoor heat exchanger temperature sensor fault.
E3	Outdoor heat exchanger temperature sensor fault.
E4	<p>No cooling effect. Possible root causes are:</p> <ul style="list-style-type: none"> ● Insufficient refrigerant amount due to piping fracture. ● Compressor fault. ● Sensor failure.
E5	<p>Outdoor heat exchanger temperature too high / Temperature anomaly. Temperature anomaly: outdoor heat exchanger temperature too high when cooling or too low when heating. (When cooling, the display of E5 indicates the outdoor temperature exceeds 64 °C. It is likely</p>

Symptom	Action
	<p>due to the reduction of air flow of the condenser, poor working of the condenser fan or sensor failure; when heating, if the outdoor temperature is higher than 18 °C, the external air fan may be on and off repeatedly. The occurrence of this is not a fault, but self-protection of the system to avoid overheating of the unit.)</p>
dF	<p>Not a fault: When operating on heating mode in low ambient temperatures the unit will periodically defrost the outside heat exchanger. The air distributor display shows "dF" during defrost operation and then returns to heating once the defrost is completed.</p>



NOTE

Before contacting Webasto for technical support please collect the following information.

- ▶ Are any error codes displayed?
- ▶ Is the display of the air distributor in normal operation or not?
- ▶ Does it display a temperature from 16 to 30 °C?
- ▶ Can you adjust the set point temperature when in cool or heat mode?
- ▶ Is there a "0" shown in the display?
- ▶ Is the display showing a jumbled display?
- ▶ When in fan mode is there any air flow from the air distributor outlets?
- ▶ Can you hear the compressor starting or stopping in heating or cooling mode?

⇒ Your help in collecting this information will greatly assist the service team help you.

Thank you!

9 Disposal



Dispose of packaging material as required by standing regulations, separating them for recycling. When your system has reached the end of its life, you cannot dispose of the system as regular waste. Make sure to dispose of the system in accordance with all local and national applicable rules and regulations. You can obtain information about disposal at your local municipality, the responsible waste station, and your local Webasto sales partner

Every consumer is legally obliged to dispose of batteries and electronic equipment only in marked recycling bins at a waste collection point. The return is free of charge.

See also: chapter 7.2, "Remote control batteries" on page 17.

10 Technical specifications

Parameter	Value		Parameter	Value	
	CTT20	CTT24		CTT20	CTT24
Product name	Cool Top Trail 20/24		Cooling possible at ambient temperatures	16 °C to 50 °C	
Manufacturer model name	Belaire H2000/H2400		Maximum design pressure	2900 kPa	
Power supply	220-240 V / 50 Hz		Minimum design pressure	1840 kPa	
Rated cooling capacity	2000 W	2400 W	Maximum air flow	310 m ³ /h	
Rated heating capacity	2000 W	2400 W	Weight outdoor unit	net 28 kg	net 29 kg
Input power for cooling	700 W	950 W	Weight indoor unit	net 2.8 kg	
Input power for heating	600 W	850 W	Refrigerant charged	R407C/470 g	R407C/450 g
Rated current for cooling	3.0 A	4.2 A	Global Warming Potential (GWP)	1774	
Rated current for heating	2.6 A	3.8 A	CO ₂ equivalent	834 kg	798 kg
Maximum input power	800 W	1040 W	Maximum vehicle inclination angle during operation	5° (=8,8%)	
Maximum current	3.5 A	4.5 A	Dimensions	See Fig. 7 / Fig. 8	
Operation at ambient temperatures	-5 °C to +50 °C		IP rating	IP24	



NOTE

All parameters listed are subject to change without notice, and the specifications shown on the unit's type plates shall prevail. All values are approximate and subject to change.

11 Wiring schematic

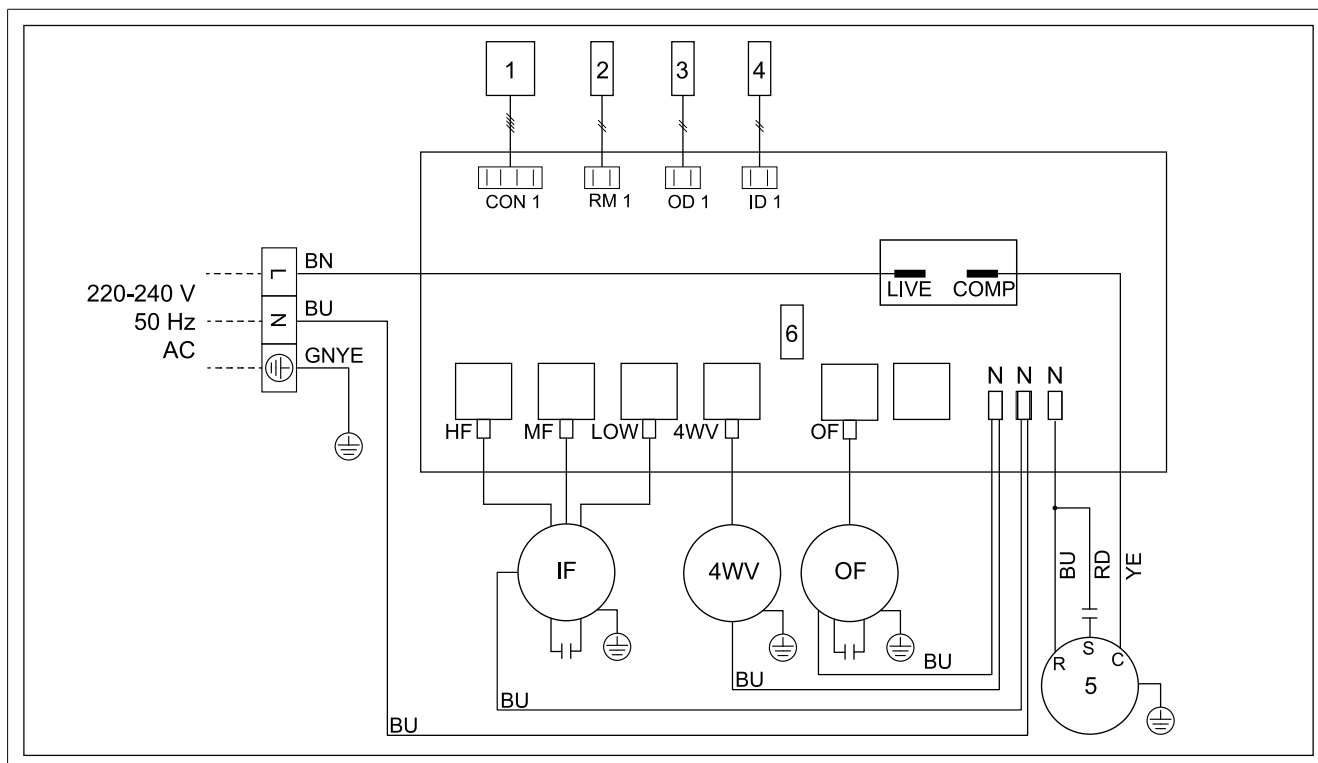


Fig. 56 Wiring diagram

Item	Description
1	Control panel
2	Room sensor
3	Outdoor heat exchanger sensor
4	Indoor heat exchanger sensor
5	Compressor
6	Fuse 5x20 mm, 250 V, T5AL or T5AH

Item	Description
4WV	4-Way reversing Valve
ID	InDoor (sensor)
IF	Indoor Fan
OD	OutDoor (sensor)
OF	Outdoor Fan
HF	High
MF	Medium
LOW	Low

Wiring code	Wiring colour
BN	Brown
BU	Blue
GNYE	Green-Yellow
RD	Red
YE	Yellow

1 Einführung	23	7.2	Batterien der Fernbedienung	38	
1.1	Verwendung von Symbolen und Hervorhebungen ...	23	7.3	Kontrolle der Montageschrauben	38
1.2	Gewährleistung und Haftung	23	7.4	Regelmäßige Verwendung	38
2 Sicherheit	24	7.5	Reinigen	38	
2.1	Bestimmungsgemäße Verwendung	24	7.6	Wärmeübertrager	39
2.2	Sicherheitshinweise	24	8 Fehlerbehebung	40	
2.3	Qualifikation des Einbau- und Wartungspersonals ...	24	9 Entsorgung	40	
3 Lieferumfang	25	10 Technische Daten	42		
4 Für den CI-BUS benötigte Steckverbind- der	25	11 Schaltbild	43		
5 Einbauanweisung	26	Konformitätserklärungen	151		
5.1	Allgemein	26			
5.2	Einbauvoraussetzungen	26			
5.3	Verschiedene Ausschnittgrößen	26			
5.4	Einbaulage.....	26			
5.5	Dachverstärkung.....	27			
5.6	Stromversorgung.....	27			
5.7	CI-BUS-Kabel	28			
5.8	Einbau des Adapterrahmen.....	28			
5.9	Einbau der Außeneinheit	29			
5.10	Anschließen der Stromversorgung	29			
5.11	Einbau der Luftverteiler-Halterung	29			
5.12	Anschließen des Zuluftkanals	30			
5.13	Anschließen der Kabel von Innen- und Außeneinheit	30			
5.14	Anschließen der CI-BUS-Kabel.....	30			
5.15	Einbau des Luftverteilers	31			
5.16	Einbau des Halters für die Fernbedienung	32			
5.17	Testen der Anlage.....	32			
6 Bedienungsanweisung	33				
6.1	Vor Gebrauch	33			
6.2	Hinweise zum effektiven Heizen und Kühlen.....	33			
6.3	Umgang mit Kondensation	33			
6.4	Auswahl und Verwendung eines Generators oder In- verters	33			
6.5	Verwendung der Fernbedienung	34			
6.6	Anlage ein-/ausschalten	34			
6.7	Temperatur einstellen	35			
6.8	Gebläsestufe einstellen	35			
6.9	Betriebsart einstellen	35			
6.10	Systemuhr einstellen	36			
6.11	Timer einstellen	36			
6.12	Timer aktivieren	37			
6.13	Schlaffunktion einstellen	37			
6.14	Temperatureinheit wechseln	37			
6.15	Fernbedienung zurücksetzen	37			
6.16	Luftverteiler bedienen ohne Fernbedienung	37			
6.17	Luftausströmer einstellen	38			
7 Wartung	38				
7.1	Luftfilter	38			

1 Einführung

Diese Einbau- und Bedienungsanweisung ist Teil des Produkts und enthält alle Informationen zum/zur korrekten und sicheren Einbau und Anwendung.

- ▶ Vor Einbau und Betrieb des Geräts die vorliegende Dokumentation durchlesen.
- ▶ Diese Dokumentation griffbereit aufbewahren.
- ▶ Diese Dokumentation an nachfolgende Besitzer oder Benutzer des Geräts weitergeben.

- Betrieb bei Spannungen, die von den angegebenen technischen Daten abweichen.
- Schäden an der Fernbedienung durch auslaufende Batterien.
- Schäden durch Kontakt mit ungeeigneten Substanzen, beispielsweise Chemikalien oder ungeeignete Reinigungsmittel.
- Schäden durch abnormale Umgebungs- oder ungeeignete Betriebsbedingungen.
- Schäden durch unsachgemäßen Transport.

1.1 Verwendung von Symbolen und Hervorhebungen

	GEFAHR Das Signalwort bezeichnet eine Gefährdung mit einem hohen Risikograd, die, wenn sie nicht vermieden wird, den Tod oder eine schwere Verletzung zur Folge haben kann.
	WARNUNG Das Signalwort bezeichnet eine Gefährdung mit einem mittleren Risikograd, die, wenn sie nicht vermieden wird, eine geringfügige oder mäßige Verletzung zur Folge haben kann.
	VORSICHT Das Signalwort bezeichnet eine Gefährdung mit einem niedrigen Risikograd, die, wenn sie nicht vermieden wird, eine geringfügige oder mäßige Verletzung zur Folge haben kann.
	HINWEIS Dieses Symbol weist auf eine technische Besonderheit oder (bei Nichtbeachtung) einen möglichen Schaden am Produkt hin.
	Dieses Symbol verweist auf separate Dokumente, die ggf. beiliegen oder bei Webasto angefordert werden können.

- ✓ Voraussetzung für die folgende Handlungsanweisung

1.2 Gewährleistung und Haftung

Es gilt die gesetzliche Gewährleistungsfrist. Sollte das Produkt defekt sein, so wenden Sie sich bitte an den Webasto Servicepartner in Ihrem Land. Einen Händler in Ihrer Nähe finden Sie unter:

<https://dealerlocator.webasto.com/de-de>.

Unsere Fachleute sind für Sie da und geben Ihnen gern nähere Auskünfte zum Gewährleistungsverfahren.

Webasto übernimmt keine Haftung für Mängel oder Schäden, die darauf zurückzuführen sind, dass Einbau- oder Bedienungsanweisungen nicht beachtet wurden. Dieser Haftungsausschluss gilt insbesondere für:

- Einbau durch ungeschultes Personal.
- Unsachgemäße Verwendung.
- Nicht von einer Webasto Service-Werkstatt ausgeführte Reparaturen.
- Verwendung von Nicht-Originalersatzteilen.
- Umbau des Geräts ohne Zustimmung von Webasto.
- Beschädigungen am Gerät durch mechanische Einflüsse.
- Nichteinhaltung mit Bedienungsanweisung und Einbauanweisung.
- Nichtbeachtung von Inspektions- und Wartungsanweisungen.

2 Sicherheit

2.1 Bestimmungsgemäße Verwendung

Die Cool Top Trail 20 - 24 ist für den Einbau in Caravans und Reisemobile sowie Fahrzeuge mit Wohnbereich bestimmt.

Die Cool Top Trail 20 - 24:

- ist nicht für den Einbau in Baumaschinen, Landmaschinen oder ähnlichen Fahrzeugen geeignet.
- ist nicht für die Verwendung in Booten geeignet und darf nicht starken Vibrationen ausgesetzt werden.
- ist nicht für Häuser oder Wohnungen geeignet.
- darf in Fahrzeugen nicht während der Fahrt betrieben werden.

2.2 Sicherheitshinweise



GEFAHR

Gefahr eines tödlichen Stromschlags!

- ▶ Schalten Sie vor Arbeiten an der Anlage stets die Netzstromversorgung ab und trennen Sie die Netzspannung.
- ▶ Stellen Sie sicher, dass die Netzsteckdose des Fahrzeugs zur externen Stromversorgung wirksam entsprechend den örtlichen Vorschriften geerdet ist.
 - Eine fehlerhafte Erdung kann hohe Berührungsspannungen (elektrischer Schlag) oder Brände verursachen.
- ▶ Prüfen Sie die Klimaanlage nach dem Einbau auf Leckströme.
- ▶ Schalten Sie die Klimaanlage sofort ab und trennen Sie sie von der Stromversorgung, wenn Sie ungewöhnliche Gerüche, Rauch oder Feuer feststellen.
- ▶ Die T 5A 250 V Sicherung für die Klimaanlage befindet sich am elektronischen Steuergerät. Ersetzen Sie diese nur durch eine identische Sicherung.



GEFAHR

Lebensgefahr und Verletzungsgefahr!

- ▶ Verwenden Sie die Klimaanlage nicht in der Nähe brennbarer Flüssigkeiten oder Gase oder in geschlossenen Räumen.
- ▶ Lagern oder installieren Sie keine brennbaren Objekte nahe am Luftaustritt. Es muss ein Abstand von mind. 50 cm bestehen.
- ▶ Fassen Sie nicht in die Luftöffnungen und führen Sie keine Fremdkörper in die Klimaanlage ein. Betreiben Sie die Klimaanlage nicht ohne ihre Abdeckung.
- ▶ Falls es zu einem Brand der Klimaanlage kommt, entfernen oder öffnen Sie nicht die obere Abdeckung der Klimaanlage. Verwenden Sie stattdessen geeignete Löschmittel. Löschen Sie den Brand niemals mit Wasser.
- ▶ Befestigen Sie die Klimaanlage sicher am Dach, sodass sie sich nicht lösen kann.
- ▶ Tragen Sie während des Einbaus Schutzausrüstung, z. B. Schutzbrille, Schutzhandschuhe.
- ▶ Prüfen Sie, bevor Sie das Fahrzeugdach besteigen, dass das Dach das Gewicht des Installateurs und der Klimaanlage trägt.



VORSICHT

- ▶ Zwischen Dach und Fahrzeughimmel können Kabel verlegt sein. Unterbrechen Sie die Stromversorgung, bevor Sie den Dachausschnitt anbringen, damit es nicht zu einem elektrischen Schlag kommt.
- ▶ Sprühen Sie keine Lacke, Farben oder Insektizide auf die Oberfläche der Klimaanlage.
- ▶ Falls die Anlage über Leuchten verfügt: Schließen Sie die LED-Leuchten nur an das Gleichstromkabel an der Klimaanlage an. Bei Anschluss an andere Stromquellen können die LED-Leuchten beschädigt werden.
- ▶ Elektrogeräte sind kein Spielzeug. Halten Sie Elektrogeräte fern von Kindern und von Personen mit eingeschränkten Fähigkeiten. Personen, die das Gerät aufgrund ihrer eingeschränkten körperlichen, sensorischen oder geistigen Fähigkeiten oder ihres Mangels an Erfahrung oder Wissen nicht sicher benutzen können, dürfen das Gerät nur unter Beaufsichtigung bzw. mit Anleitung durch eine verantwortliche Person verwenden.
- ▶ Fahren Sie niemals mit einem Fahrzeug mit Aufdachklimaanlage durch eine automatische Waschanlage.
- ▶ Lassen Sie das Gerät bei Störungen des Kältemittelkreislaufs der Klimaanlage durch einen Fachbetrieb prüfen und ordnungsgemäß reparieren. Das Kältemittel darf niemals in die Luft gelangen.



HINWEIS

- ▶ Halten Sie den Lufteintritt und -austritt der Innen- und Außeneinheit der Klimaanlage stets frei.
- ▶ Trennen Sie die Stromversorgung, wenn Sie die Klimaanlage für längere Zeit nicht benutzen.
- ▶ Installieren Sie die Klimaanlage entsprechend den Anleitungen in dieser Einbauanweisung. Unsachgemäße Einbauverfahren oder Veränderungen an der Anlage können zu Schäden am Gerät und zu Verletzungen des Benutzers führen.
- ▶ Reinigen Sie die Filter der Klimaanlage regelmäßig.
- ▶ Ein verschmutzter Filter verringert den Luftstrom und führt zu schlechter Heiz- und Kühlleistung.
- ▶ Fragen Sie beim Fahrzeughersteller nach, ob nach dem Einbau der Klimaanlage eine technische Untersuchung notwendig ist und ob die im Fahrzeugschein eingetragene Fahrzeughöhe geändert werden muss.
- ▶ Schalten Sie die Klimaanlage nur in Notfällen durch Trennen der Netzspannung aus.
- ▶ Wenden Sie sich bei Störungen des Geräts an eine Servicewerkstatt.

2.3 Qualifikation des Einbau- und Wartungspersonals

Das Einbau- und Wartungspersonal muss:

- Entsprechende Qualifikationen für Arbeiten an technischen/elektrischen Anlagen besitzen.
- Für Arbeiten an Klimaanlagen zertifiziert sein.
- Über gültige Lizenzen für die hierin beschriebenen Arbeiten verfügen.

3 Lieferumfang

Die Anlage wird in 2 Paketen geliefert.
Bitte kontrollieren Sie die Lieferung auf Vollständigkeit und Schäden.

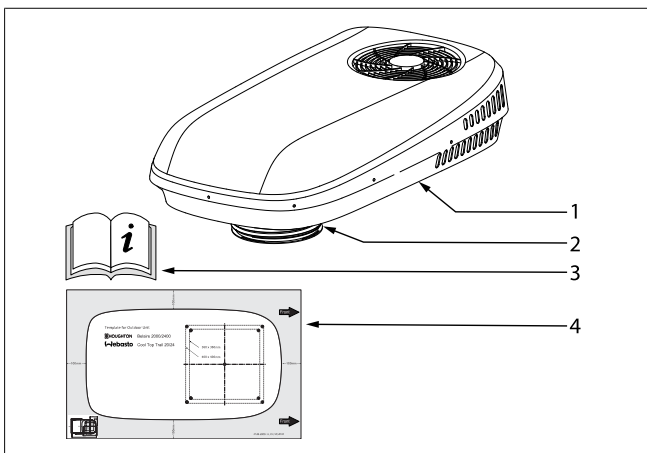


Abb. 1 Außeneinheit

Pos.	Beschreibung	Menge
1	Außeneinheit	1
2	Zuluftkanal	1
3	Bedienungs- und Einbauanweisung	1
4	Schablone für die Außeneinheit	1

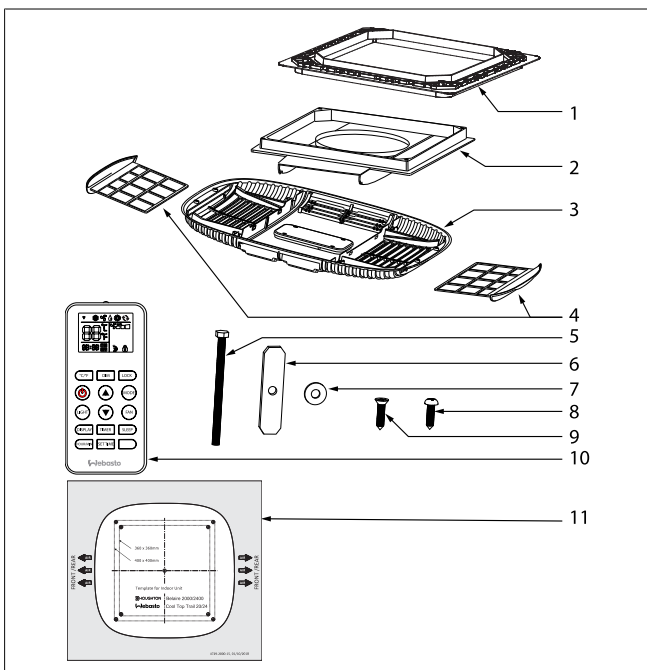


Abb. 2 Inneneinheit

Pos.	Beschreibung	Menge
1	Adapterrahmen	1
2	Luftverteiler-Halterung	1
3	Luftverteiler	1
4	Abluftfilter	2
5	Sechskantschraube M8x120 mm	4
6	Metall-Befestigungsplatten	4
7	Große M8-Unterlegscheibe	4
8	Linsenkopfschraube ST4,2*19 für Luftverteiler	4

Pos.	Beschreibung	Menge
9	Senkkopfschraube ST4,2*16-C, selbstschneidend	6
10	Fernbedienung mit Halter und Batterien (2 x AAA)	1
11	Schablone für die Inneneinheit	1

4 Für den CI-BUS benötigte Steckverbinder

HINWEIS
Dieses Kapitel gilt nur, wenn die Cool Top Trail 20 - 24 Inneneinheit über eine CI-BUS-Einheit verfügt und diese CI-BUS-Einheit mit einem externen CI-BUS-System verbunden werden muss.

Die CI-BUS-Einheit muss mit dem CI-BUS-System im Caravan, Reisemobil oder Fahrzeug mit Wohnbereich verbunden werden. Dies erfordert die Installation eines CI-BUS-Kabels zwischen dem CI-BUS-System und der CI-BUS-Einheit in der Cool Top Trail 20 - 24. Dieses Kabel ist nicht im Lieferumfang enthalten.

Falls es zwei Cool Top Trail-Klimaanlagen gibt, muss zusätzlich ein CI-BUS-Verbindungskabel zwischen den CI-BUS-Einheiten in den Klimaanlagen installiert werden. Dieses Kabel ist nicht im Lieferumfang enthalten.

Die CI-BUS-Kabel müssen mit Molex-Steckverbindern konfektioniert sein. Diese Steckverbinder bestehen aus den nachfolgend abgebildeten und aufgeführten Teilen. Diese Teile sind nicht im Lieferumfang enthalten:

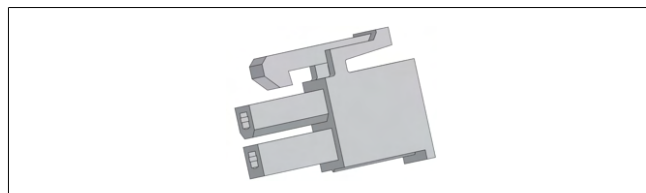


Abb. 3 Gehäuse

Molex Mini-Fit Jr. Buchsengehäuse, zweireihig, 2-polig, UL 94V-2, natur

Molex-Teilenummer:
39012020 (Engineering / Alte Teilnr.: 5557-02R)



Abb. 4 Crimpkontakt

Molex Mini-Fit Buchsen-Crimpkontakt, Messing mit Überzug aus Zinn (Sn) über Kupfer (Cu)

Molex-Teilenummer (einen Typ auswählen):
39000038 / (Engineering / Alte Teilnr.: 5556T)
39000046 / (Engineering / Alte Teilnr.: 5556T2)
39000059 / Alte Teilnr.: 5556PBT

5 Einbauanweisung

5.1 Allgemein

- Lesen Sie dieses Handbuch vor dem Einbau der Anlage gründlich durch.
- Fügen Sie beim Einbau keine Bauteile hinzu und verändern Sie die Anlage nicht.
- Falls ungewöhnlichen Anwendungen oder Einbaubedingungen vorliegen, die in diesem Handbuch nicht behandelt werden, wenden Sie sich an Webasto oder Ihren Händler vor Ort.



WARNUNG

Wird nahe der Klimaanlage ein Heizungsabgasrohr durch das Dach verlegt, so muss dieses Rohr 10 cm über die Klimaanlage hinausragen.

5.2 Einbauvoraussetzungen

- Das Fahrzeugdach muss in der Lage sein, das Gewicht der Klimaanlage zu tragen.
- Die Mindestdachstärke beträgt 25 mm; die Maximaldachstärke beträgt 70 mm.
- Das Dach muss eben und glatt sein.

5.3 Verschiedene Ausschnittgrößen

Der Einbau kann mit verschiedenen Ausschnittgrößen erfolgen.

Ausschnitt einer 400 x 400 mm großen Dachluke:

1. Bauen Sie den Lukenrahmen und -deckel aus und nutzen Sie den vorhandenen Ausschnitt.
2. Entfernen Sie Dichtungsrückstände und Unebenheiten.
3. Verfüllen Sie die Schraublöcher mit flexibler nichthärtender Butyl-Karosseriedichtmasse.
4. Der Adapterrahmen für 400x400 mm große Ausschnitte ist im Lieferumfang enthalten.

Ausschnitt einer 360 x 360 mm großen Dachluke:

1. Bauen Sie den Lukenrahmen und -deckel aus und nutzen Sie den vorhandenen Ausschnitt. Sie haben entweder eine Einheit mit 360 x 360 mm großem Adapterrahmen gekauft oder müssen den optionalen Adapterrahmen für Ausschnitte dieser Größe zukaufen. Dieser wird anstelle des 400 x 400 mm großen Adapterrahmens verwendet.
2. Entfernen Sie Dichtungsrückstände und Unebenheiten.
3. Verfüllen Sie Schraublöcher mit flexibler nichthärtender Butyl-Karosseriedichtmasse.

Einbau in einen neuen Dachausschnitt:

Sie müssen im Dach einen Ausschnitt entsprechend der Größe des Adapterrahmens anbringen.

Erkundigen Sie sich beim Fahrzeughersteller nach der besten Vorgehensweise und Stelle zum Anbringen des neuen Dachausschnitts.

5.4 Einbaulage

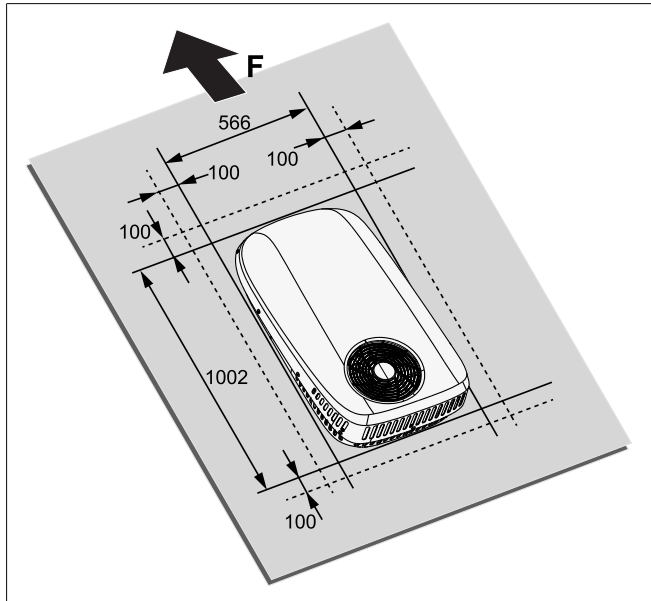


Abb. 5 Einbaulage der Außeneinheit

Überprüfen Sie vor dem Einbau die Einbaulage:

- In der geplanten Einbaulage dürfen keine störenden Konstruktionen und Kabel vorhanden sein.
- Die Klimaanlage muss so nah wie möglich am Dachmittelpunkt eingebaut werden.
- Die Einbaulage der Außeneinheit muss mit der Fahrtrichtung (F) des Fahrzeugs übereinstimmen.
- Stellen Sie sicher, dass im Fahrzeuginneren genug Platz zum Einbauen des Luftverteilers vorhanden ist.
- Bedenken Sie die Einbaulage des Luftverteilers und stellen Sie sicher, dass die Luftausströmer mindestens 400 mm von Schränken, Abtrennungen und Stirnwänden entfernt sind, welche die klimatisierte Luft zurück zur Abluftansaugung führen könnten. Liegt ein Luftausströmer weniger als 400 mm von einem Hindernis entfernt, so sollte er dicht verschlossen werden. Andernfalls kann es passieren, dass die Anlage im Betrieb häufig ein- und ausschaltet.
- Der Ausschnitt darf möglichst nicht über Dachnähte verlaufen.
- Wählen Sie möglichst eine Einbaulage zwischen zwei Längsträgern oder Profilen.
- Um die Aufdacheinheit herum müssen mindestens 100 mm frei bleiben, um die ordnungsgemäße Luftströmung sowie den Zugang für die Wartung zu gewährleisten.



WARNUNG

Wird eine Dachluke mit Sicherheitslüftungsfunktion ausgebaut, um die Klimaanlage einzubauen, so muss die Sicherheitslüftung an anderer Stelle vorgesehen werden.



HINWEIS

Der Neigungswinkel der Klimaanlage darf nicht größer als 5° (=8,8 %) sein, und der hintere Teil der Klimaanlage darf nicht höher als der vordere Teil sein.

Die folgenden Abbildungen (Abb. 6, Abb. 7 und Abb. 8) zeigen den benötigten Einbauplatz für die Außeneinheit und für den Luftverteiler auf der Innenseite für beide Ausschnittgrößen. Zentrieren Sie den Luftverteiler mithilfe des Dachausschnitts.

HINWEIS
Alle Maße sind in mm angegeben, sofern nicht anders ausgewiesen.

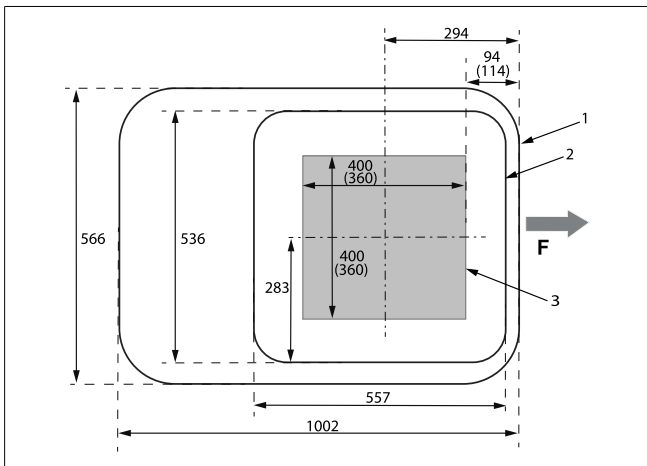


Abb. 6 Einbaumaße (Ansicht von oben/unten)

1	Position der Außeneinheit
2	Position des Luftverteilers
3	Quadratischer Ausschnitt
F	Fahrtrichtung

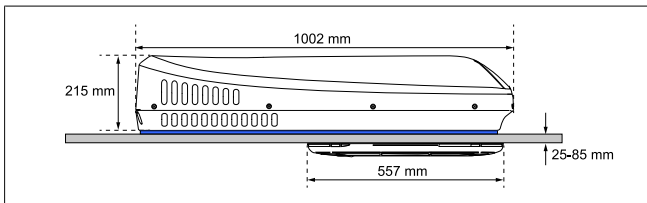


Abb. 7 Einbaumaße (Seitenansicht)

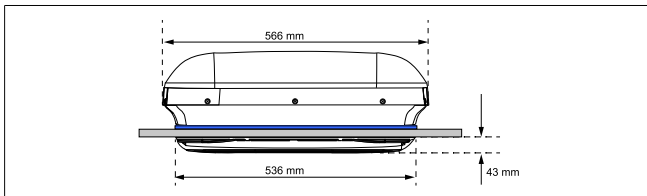


Abb. 8 Einbaumaße (Ansicht von vorn)

5.5 Dachverstärkung

Verstärken Sie den Dachausschnitt mit einem Rahmen aus mind. 20 mm breiten Holzleisten. Dazu muss ggf. vorher etwas Dämmstoff entfernt werden.

Der Verstärkungsrahmen sorgt dafür, dass das Dach beim Verschrauben der Anlage nicht zerquetscht wird und die klimatisierte Luft nicht in den Deckenraum eindringt.

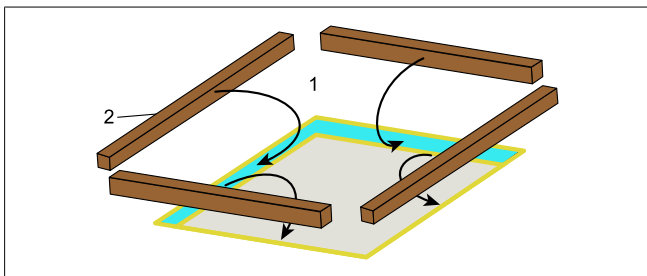


Abb. 9 Dachverstärkung

1	Dach
2	Holzleisten

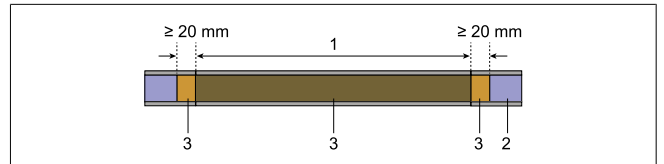


Abb. 10 Ausschnitt mit Verstärkung aus Holz

1	Ausschnitt
2	Dämmung im Dach
3	Holzleisten

5.6 Stromversorgung



WARNUNG

Gefahr eines tödlichen Stromschlags!

Machen Sie elektrisch betriebene Bauteile spannungsfrei, bevor Sie daran arbeiten. Stellen Sie sicher, dass die Netzstromversorgung oder die von Wechselrichtern bereitgestellte Stromversorgung getrennt ist.



HINWEIS

Der Anschluss an die 230-V-Spannungsversorgung darf nur durch eine qualifizierte Elektrofachkraft (nach VDE 0100, Teil 721, oder IEC 60364-7-721) ausgeführt werden.

Der Installateur muss sicherstellen, dass der Anschluss an die Netzspannung vorn die lokal geltenden Verdrahtungsvorschriften erfüllt.

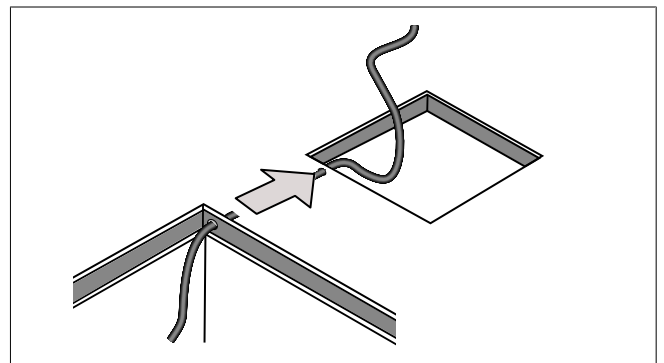


Abb. 11 Stromversorgungskabel

- Die 230-V-Spannungsversorgung muss an eine Fehlerstrom-Schutzeinrichtung angeschlossen sein.
- Installieren Sie einen Schutzschalter mit mind. 3,5 mm Kontaktabstand und eine allpolige Isolierung zum Schutz des Stromversorgungskabels zur Klimaanlage und für die sichere Wartung und Reparatur der Anlage.
- Verlegen Sie ein 230-V-Stromversorgungskabel zum Dachausschnitt.
- Verlegen Sie das Stromversorgungskabel optional durch die Dachdämmung, wie oben dargestellt.
- Bohren Sie ein Loch in die Holzleiste, durch welches das Stromversorgungskabel verlegt wird.
- Führen Sie das Stromversorgungskabel durch das Loch in der Holzleiste, bevor Sie die Leiste befestigen.
- Verlegen und sichern Sie die Kabel so, dass sie keine Stolpergefahr darstellen und nicht beschädigt werden können.
- Verwenden Sie Kabelkanäle, wenn Kabel durch scharfkantige Wände verlegt werden müssen.
- Verwenden Sie Kabel, die den nötigen Mindestquerschnitt für die Stromaufnahme der Anlage erfüllen.

- Verlegen Sie die 230-V-Kabel und die 12/24-V-Kabel nicht zusammen im selben Kabelkanal.
- Verlegen Sie keine losen oder gebogenen Kabel direkt an Teilen aus elektrisch leitenden Materialien (Metall).

5.7 CI-BUS-Kabel



HINWEIS

Dieses Kapitel gilt nur, wenn die Cool Top Trail 20 - 24 Inneneinheit über eine CI-BUS-Einheit verfügt und diese CI-BUS-Einheit mit einem externen CI-BUS-System verbunden werden muss.

Beachten Sie zum Konfektionieren der CI-BUS-Kabel die Anweisungen in Kapitel 5.7.1, "Konfektionieren des CI-BUS-Kabels" auf Seite 28.

Verwenden Sie das entsprechende CI-BUS-Kabel, um die CI-BUS-Einheit mit dem CI-BUS-System zu verbinden.

Bei Einbau von zwei Cool Top Trail-Klimaanlagen verwenden Sie das CI-BUS-Verbindungskabel, um die CI-BUS-Einheiten zu verbinden.



WARNUNG

Gefahr eines tödlichen Stromschlags!

Machen Sie elektrisch betriebene Bauteile spannungsfrei, bevor Sie daran arbeiten. Stellen Sie sicher, dass die Netzstromversorgung oder die von Wechselrichtern bereitgestellte Stromversorgung getrennt ist.

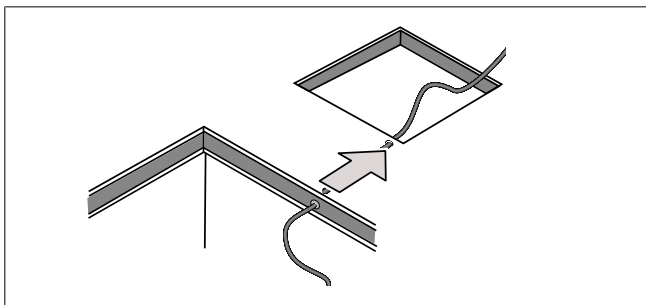


Abb. 12 CI-BUS-Kabel



HINWEIS

Funktionsstörung des CI-BUS

Verlegen Sie die Netzkabel, das/die CI-BUS-Kabel und die 12/24-V-Kabel nicht zusammen im gleichen Kabelkanal.

- Verlegen Sie das CI-Bus-Kabel optional durch die Dachdämmung, wie oben dargestellt.
- Bohren Sie ein Loch in die Holzleiste, durch welches das CI-BUS-Kabel verlegt wird.
- Führen Sie das CI-BUS-Kabel durch das Loch in der Holzleiste, bevor Sie die Leiste befestigen.
- Verlegen und sichern Sie die Kabel so, dass sie keine Stolpergefahr darstellen und nicht beschädigt werden können.
- Verwenden Sie Kabelkanäle, wenn Kabel durch scharfkantige Wände verlegt werden müssen.
- Verlegen Sie keine losen oder gebogenen Kabel direkt an Teilen aus elektrisch leitenden Materialien (Metall).
- Verlegen Sie das CI-BUS-Kabel ins Innere des Caravans, Reisemobils oder Fahrzeugs.
- Verlegen Sie das CI-BUS-Kabel zur Cool Top Trail-Klimaanlage.

- Falls es zwei Cool Top Trail-Klimaanlagen gibt, verlegen Sie zusätzlich ein CI-BUS-Verbindungskabel zwischen den beiden CI-BUS-Einheiten.

5.7.1 Konfektionieren des CI-BUS-Kabels

Die CI-BUS-Kabel müssen mit geeigneten Crimpkontakten und einem passenden Gehäuse konfektioniert werden. Nähere technische Daten siehe Kapitel 4, "Für den CI-BUS benötigte Steckverbinder" auf Seite 25. Beachten Sie immer die Herstellerangaben.

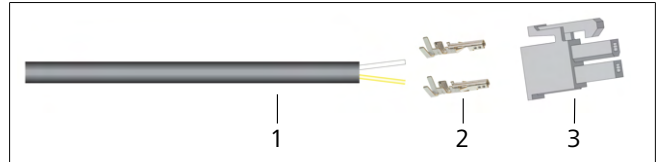


Abb. 13 Konfektionieren des CI-BUS-Kabels

1	Leitung
2	Crimpverbinder
3	Gehäuse

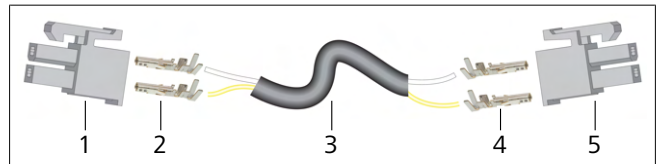


Abb. 14 Konfektionieren des CI-BUS-Verbindungskabels zwischen zwei CI-BUS-Einheiten

1	Gehäuse CI-BUS (CI-BUS-Einheit 1)
2	Crimpkontakte CI-BUS (CI-BUS-Einheit 1)
3	Leitung
4	Crimpkontakte CI-BUS (CI-BUS-Einheit 2)
5	Gehäuse CI-BUS (CI-BUS-Einheit 2)

5.8 Einbau des Adapterrahmen

- Sorgen Sie dafür, dass das Dach sauber, trocken und frei von Öl und Fett ist.
- Setzen Sie den Adapterrahmen in den Ausschnitt ein und prüfen Sie, dass das Stromversorgungskabel und das CI-BUS-Kabel (falls vorhanden) dadurch nicht behindert werden. Falls die Kabel im Weg sind, schneiden oder bohren Sie Öffnungen unten in den Rahmen, durch die die Kabel durchgeführt werden.
- Kontrollieren Sie die korrekte Ausrichtung des Rahmens anhand des „This side up“-Aufklebers.

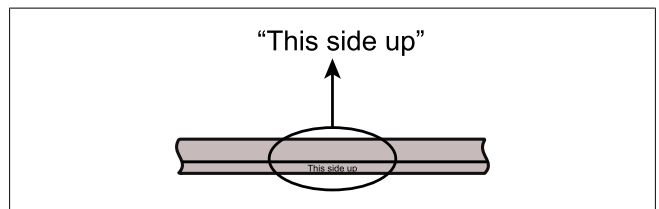


Abb. 15 Ausrichtung des Adapterrahmens

- Drehen Sie den Rahmen um und tragen Sie auf der Rückseite von „This side up“ gleichmäßig Silikonichtmittel wie abgebildet auf.

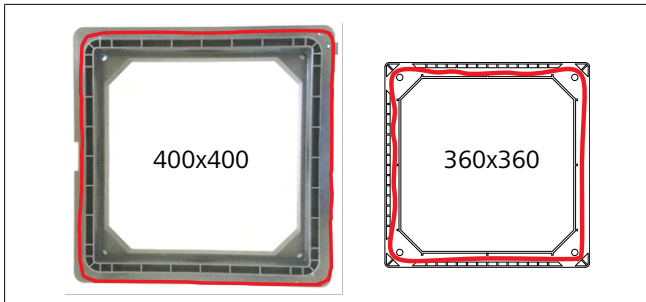


Abb. 16 Dichtungsverläufe

5. Drehen Sie den Rahmen wieder um, sodass „This side up“ nach oben zeigt. Drücken Sie den Rahmen fest auf den Rand des Dachausschnitts und entfernen Sie herausgedrückte Dichtmasse.

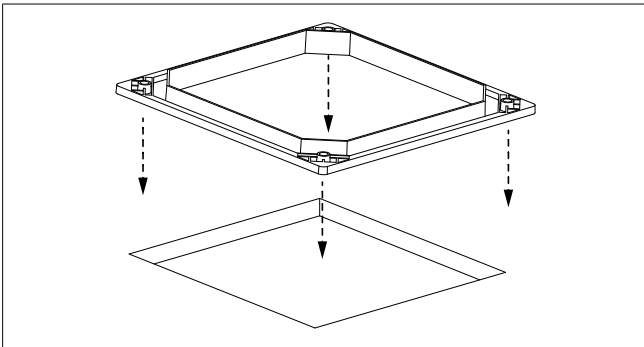


Abb. 17 Wirksame Abdichtung

5.9 Einbau der Außeneinheit

Setzen Sie die Außeneinheit auf den eingebauten Adapterrahmen und positionieren Sie sie so, dass die vier Schraublöcher an den Ecken genau passend ausgerichtet sind.



HINWEIS

Die Außeneinheit ist schwer. Tragen Sie die Einheit immer mit zwei Personen.

Heben Sie die Außeneinheit nicht an der weißen Abdeckung an. Fassen Sie die Einheit zum Anheben am Unterteil an.

Prüfen Sie mit den M8-Schrauben, ob die Löcher der Außeneinheit an den Löchern des Adapterrahmens ausgerichtet sind. Wenn nicht, passen Sie die Position der Außeneinheit entsprechend an.

Tragen Sie kein zusätzliches Dichtmittel zwischen Außeneinheit und Adapterrahmen auf.

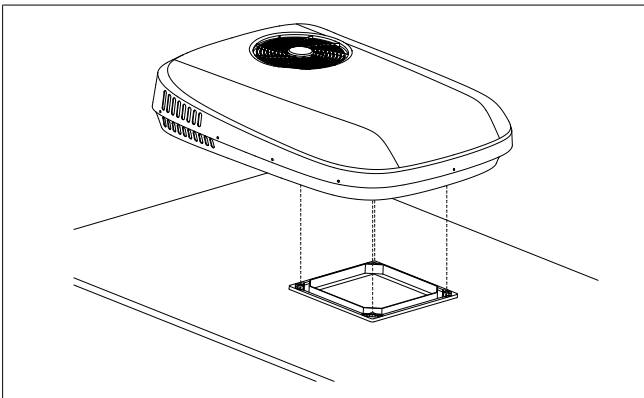


Abb. 18 Positionieren der Außeneinheit

5.10 Anschließen der Stromversorgung

1. Schauen Sie im Fahrzeug nach oben und suchen Sie die Klemmleisten (1).
2. Öffnen Sie die orangefarbenen Hebel.
3. Isolieren Sie die Leiter auf einer Länge von 10 mm ab (für WAGO 222-412).
4. Führen Sie die Leiter des Stromversorgungskabels in die 2-poligen Klemmleisten ein. Achten Sie auf die passende Zuordnung von Phase, Nullleiter und Schutzleiter (Erde).
5. Schließen Sie die orangefarbenen Hebel wieder, damit das Stromkabel sicher und zuverlässig angeschlossen ist.



HINWEIS

Die unzureichende Sicherung der Anschlüsse kann zum Kurzschluss oder Brand führen.

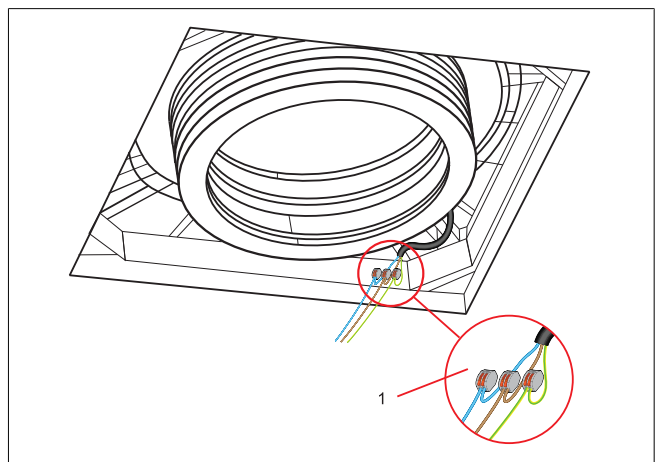


Abb. 19 Position der Klemmleisten

5.11 Einbau der Luftverteiler-Halterung

1. Bereiten Sie die M8-Schrauben (4), Unterlegscheiben (3) und Metall-Befestigungsplatten (2) wie abgebildet vor.
2. Halten Sie die Luftverteiler-Halterung (1) an die Klimaanlage.
3. Setzen Sie die M8-Schrauben mit ihren Unterlegscheiben und Metall-Befestigungsplatten in die vorgesehenen 4 Bohrlöcher der Luftverteiler-Halterung ein.
4. Drehen Sie die Schrauben von Hand in die Gewindelöcher, damit sie richtig greifen.
5. Achten Sie darauf, alle Schrauben korrekt einzuschrauben. Drehen Sie die Schrauben um mind. 2 Drehungen ein, damit es nicht zum Verschneiden kommt.
6. Achten Sie beim Anziehen der Schrauben darauf, dass die Metall-Befestigungsplatten in die vorgesehenen Aussparungen der Luftverteiler-Halterungen passen.
7. Ziehen Sie abschließend alle vier Schrauben gleichmäßig mit 7 Nm fest.

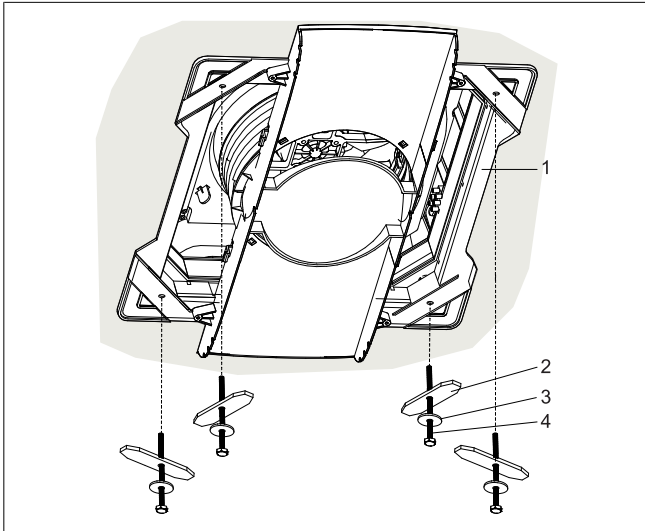


Abb. 20 Einsetzen der Schrauben

5.12 Anschließen des Zuluftkanals

1. Greifen Sie das Ende des Zuluftkanals (2) und ziehen Sie es herunter, bis es die Luftverteiler-Halterung (1) berührt.
2. Ziehen Sie den Rand des Zuluftkanals weiter nach unten, bis er unter den vier Haken (3) der Luftverteiler-Halterung einrastet.
3. Der Zuluftkanal ist richtig angeschlossen, wenn Sie an jedem der vier Haken ein Klicken gehört haben und der Rand des Zuluftkanals (5) glatt an der Halterung (4) anliegt.

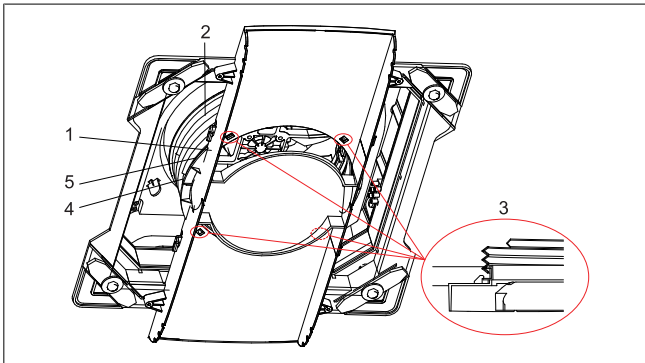


Abb. 21 Anschließen des Zuluftkanals

5.13 Anschließen der Kabel von Innen- und Außeneinheit

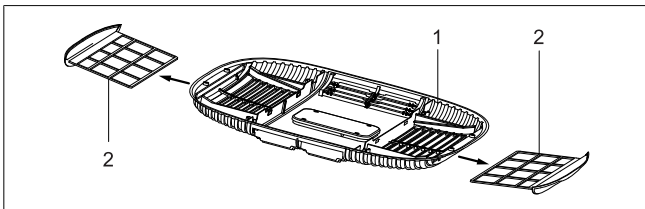


Abb. 22 Ausbau des Luftfilters

1. Bauen Sie den Luftfilter aus dem Luftverteiler aus, indem Sie die beiden Laschen (1) nach innen (2) und dann nach unten (3) drücken.

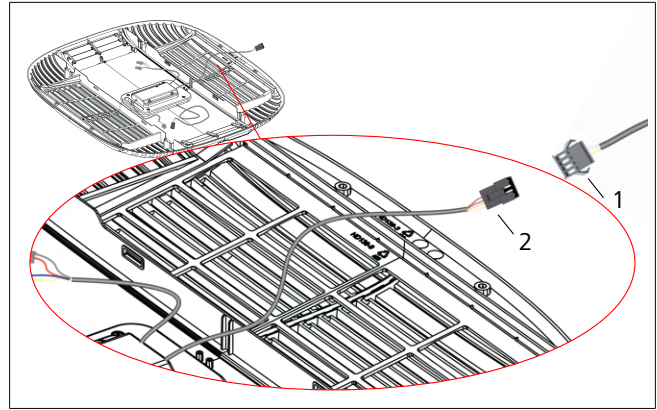


Abb. 23 Anschließen des Steckers der Außeneinheit an die CI-BUS-Einheit

2. Stecken Sie den Stecker der Außeneinheit (1) in den entsprechenden Steckverbinder (2) der CI-BUS-Einheit.

5.14 Anschließen der CI-BUS-Kabel

HINWEIS
Dieses Kapitel gilt nur, wenn die Cool Top Trail 20 - 24 Inneneinheit über eine CI-BUS-Einheit verfügt und diese CI-BUS-Einheit mit einem externen CI-BUS-System verbunden werden muss.

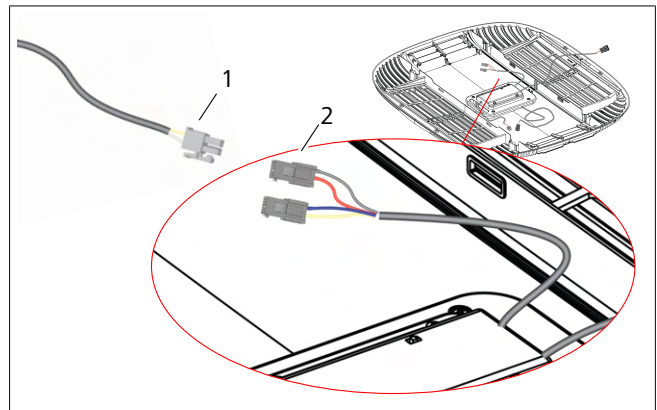


Abb. 24 Anschließen des CI-BUS-Systems an die CI-BUS-Einheit

1. Stecken Sie den CI-BUS-Steckverbinder (1) in den entsprechenden CI-BUS-Steckverbinder (2) der CI-BUS-Einheit.

HINWEIS
Schaltereinstellung
Wenn Sie zwei Cool Top Trail-Klimaanlagen jeweils mit installierter CI-BUS-Einheit haben, müssen Sie den ID-Schalter jeder CI-BUS-Einheit anders einstellen.

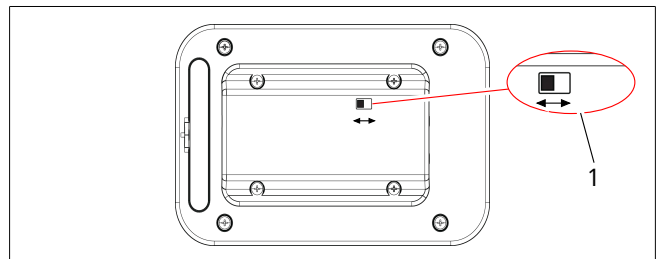


Abb. 25 Draufsicht der CI-BUS-Einheit

2. Stellen Sie den ID-Schalter (1) der einen CI-BUS-Einheit nach links und den ID-Schalter der anderen CI-BUS-Einheit nach rechts.

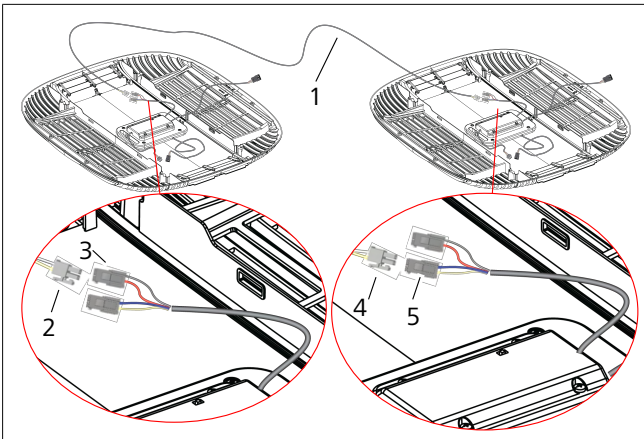


Abb. 26 Verbinden von zwei CI-BUS-Einheiten

3. Bei Einbau von zwei Cool Top Trail-Klimaanlagen verwenden Sie das Verbindungskabel (1).
4. Stecken Sie den Steckverbinder (2) des Kabels in den CI-BUS-Steckverbinder (3) der ersten CI-BUS-Einheit.
5. Stecken Sie den anderen Steckverbinder (4) des Kabels in den zusätzlichen CI-BUS-Steckverbinder (5) der zweiten CI-BUS-Einheit.

5.15 Einbau des Luftverteilers

1. Bringen Sie den Luftverteiler (1) an der Luftverteiler-Halterung (3) an, indem Sie ihn an der Halterung einrasten.
 - Sie hören an jedem der vier Haken (2) ein Klicken, wenn der Luftverteiler (1) und die Halterung (3) sich verbinden.

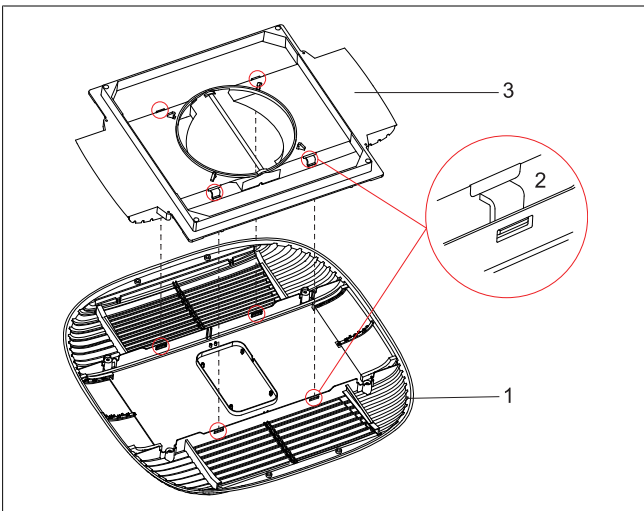


Abb. 27 Anbringen des Luftverteilers an der Halterung

2. Sichern Sie den Luftverteiler (1) mit vier ST4,2*19 Flachkopfschrauben (2) an der Luftverteiler-Halterung.

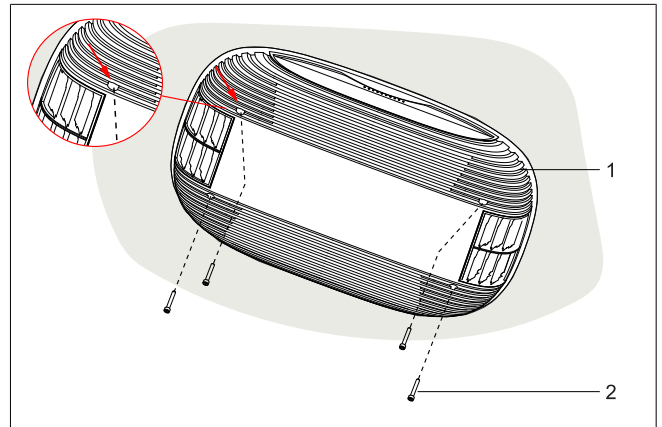


Abb. 28 Befestigen des Luftverteilers an der Halterung

- Der folgende Schritt ist optional. Dieser Schritt dient dazu, mithilfe von 4 Senkkopfschrauben eine mögliche Lücke zwischen Luftverteiler und Fahrzeughimmel zu schließen.
 - Montieren Sie die Schrauben wie folgt:
3. Befestigen Sie den Luftverteiler (1) mit 4 Senkkopfschrauben (2) am Fahrzeughimmel.

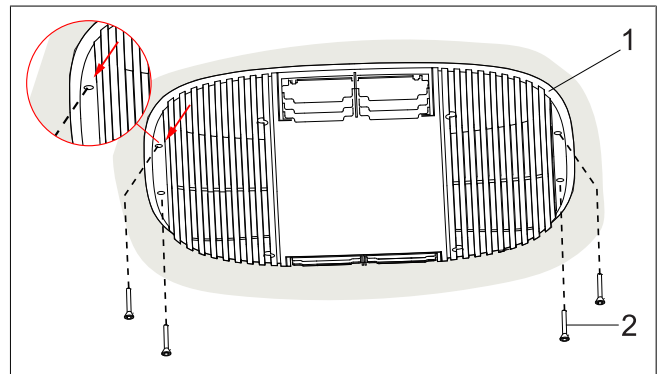


Abb. 29 Befestigen des Luftverteilers am Fahrzeugdach

4. Bauen Sie die Luftfilter (2) wie unten abgebildet ein:

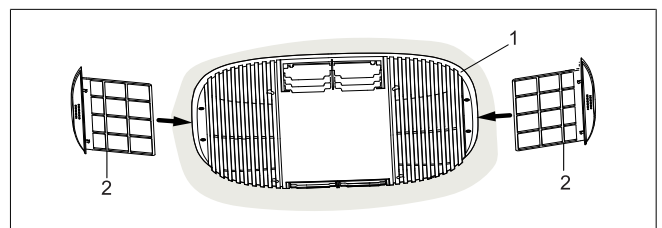


Abb. 30 Einbau der Luftfilter

5.16 Einbau des Halters für die Fernbedienung

1. Wählen Sie für den Einbau des Halters (1) für die Fernbedienung eine gut zugängliche Stelle.
2. Befestigen Sie den Halter mit 2 Senkkopfschrauben (2).

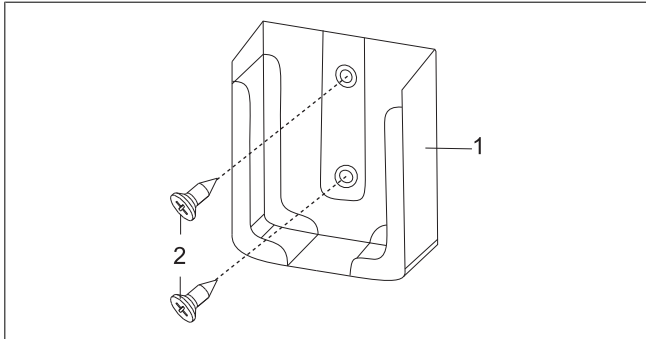












Abb. 31 Halter für die Fernbedienung

5.17 Testen der Anlage

- Testen Sie alle Funktionen der Klimaanlage wie in Kapitel 6, "Bedienungsanweisung" auf Seite 33 beschrieben.
- Stellen Sie sicher, dass die Kondensatausgänge nach Einbau der Außeneinheit frei sind.
- Tragen Sie, falls notwendig, die neue Fahrzeughöhe und das neue Fahrzeuggewicht im Fahrzeugschein ein.
- Übergeben Sie dieses Dokument an den neuen Fahrzeugbesitzer.

6 Bedienungsanweisung

6.1 Vor Gebrauch

-  **HINWEIS**
Überprüfen Sie vor dem Einschalten, dass die Versorgungsspannung und -frequenz den spezifizierten Werten der Klimaanlage entsprechen.
-  **HINWEIS**
Stellen Sie sicher, dass die Stromstärke der externen Stromversorgung ausreichend ist.
-  **HINWEIS**
Um zu verhindern, dass sich das Verlängerungskabel zur Stromversorgung des Fahrzeugs erhitzt und die Spannung sinkt, wickeln Sie das Kabel immer vollständig von der Kabeltrommel ab.
-  **HINWEIS**
Das Verlängerungskabel muss einen Querschnitt von mind. 3 x 2,5 mm² haben.
-  **HINWEIS**
Stellen Sie unbedingt sicher, dass die Luftausströmer und Ansaugöffnungen nicht durch Lappen, Papier oder andere Objekte verdeckt sind.
-  **HINWEIS**
Öffnen Sie das Batteriefach an der Rückseite der Fernbedienung und legen Sie die beiden auslaufsicheren LR3-Batterien (AAA) (2) ein. Schließen Sie das Batteriefach wieder.
-  **HINWEIS**
Halten Sie die Fernbedienung beim Betätigen in Richtung Luftverteiler, um eine gute Signalübertragung zu gewährleisten. Der Luftverteiler piept, sobald er ein Signal empfängt.
-  **HINWEIS**
Das Display der Fernbedienung zeigt verschiedene Symbole an, abhängig von den aufgerufenen Einstellungen.
-  **HINWEIS**
Nach Auswahl des **COOL/HEAT**-Modus (Kühlen/Heizen) kann der Kompressor mit einer Verzögerung von 3 Minuten anlaufen. Diese Funktion dient zum Schutz des Kompressors.
-  **HINWEIS**
Anleitung zum Einstellen der Systemuhr siehe Kapitel 6.10, "Systemuhr einstellen" auf Seite 36.

6.2 Hinweise zum effektiven Heizen und Kühlen

Die folgenden allgemeinen Maßnahmen sind hilfreich, um die Wärmelast in einem Fahrzeug zu reduzieren und die Leistung der Klimaanlage zu steigern:

- Parken Sie Ihr Fahrzeug möglichst im Schatten.
- Stellen Sie Ihr Fahrzeug so ab, dass die Sonnenblende der Sonnenseite zugewandt ist. Dadurch wird die direkte Sonneneinstrahlung reduziert.
- Schließen Sie alle Türen, Dachluken und Fenster. Schließen Sie die Vorhänge und öffnen Sie die Sonnenblende bzw. das Vordach.
- Schalten Sie alle nicht benötigten Elektrogeräte im Fahrzeug aus. Dadurch wird die Wärmelast weiter reduziert.
- Kochen Sie möglichst außerhalb des Fahrzeugs.

- Bei außergewöhnlich hohen Tagestemperaturen lassen Sie die Klimaanlage bereits vormittags laufen.
- Ist der Fahrzeuginnenraum bereits aufgeheizt, lüften Sie das Fahrzeug zunächst durch Öffnen der Türen und Fenster, **bevor** Sie die Klimaanlage einschalten.
- Reinigen Sie regelmäßig das Fahrzeugdach, da sich verschmutzte Dächer stärker erhitzen.


So wie viele Faktoren die Gesamtwärmelast im Fahrzeug beeinflussen, können viele weitere Faktoren den Wirkungsgrad der Klimaanlage beeinflussen. Fragen Sie ggf. bei Ihrem Fahrzeughersteller nach, wie genau die Gesamtwärmelast Ihres Fahrzeugs zustande kommt.

6.3 Umgang mit Kondensation

Wenn warme und feuchte Luft im Fahrzeug auf eine kalte Oberfläche trifft, so bildet sich in der Regel Kondenswasser. Dies wird auch als „Schwitzen“ bezeichnet. Abhilfe erreichen Sie wie folgt:


- Schließen Sie alle Türen, Dachluken und Fenster vollständig dicht. Dadurch dringt weniger warme, feuchte Luft ein.
- Lassen Sie den Innenlüfter auf **hoher** Stufe laufen; nicht auf **niedriger** Stufe oder auf **Auto**.

Beim Betrieb der Klimaanlage entsteht Kondenswasser, das auf dem Fahrzeugdach austritt. Dies ist normal. Die Menge des Kondenswassers hängt von der Luftfeuchte ab. Bei hoher Luftfeuchte in Ihrem Fahrzeug, bildet sich auch mehr Kondenswasser.

-  **HINWEIS**
Durch Kondenswasser verursachte Verluste und Schäden sind nicht im Garantiefumfang enthalten.

6.4 Auswahl und Verwendung eines Generators oder Inverters

Die CTT 20 - 24 benötigt zum korrekten Betrieb eine Wechselstromquelle mit Netzqualität. Wenn Sie die Stromversorgung mit einem Generator oder einem Inverter bereitstellen möchten, lassen Sie durch Ihren Generatoren-/Inverterhersteller bestätigen, dass der Generator / Inverter für Ihre Anwendung geeignet und ausreichend bemessen ist.

-  **HINWEIS**
Durch die Verwendung eines Generators oder Inverters verursachte Verluste und Schäden sind nicht im Garantiefumfang enthalten.

6.5 Verwendung der Fernbedienung

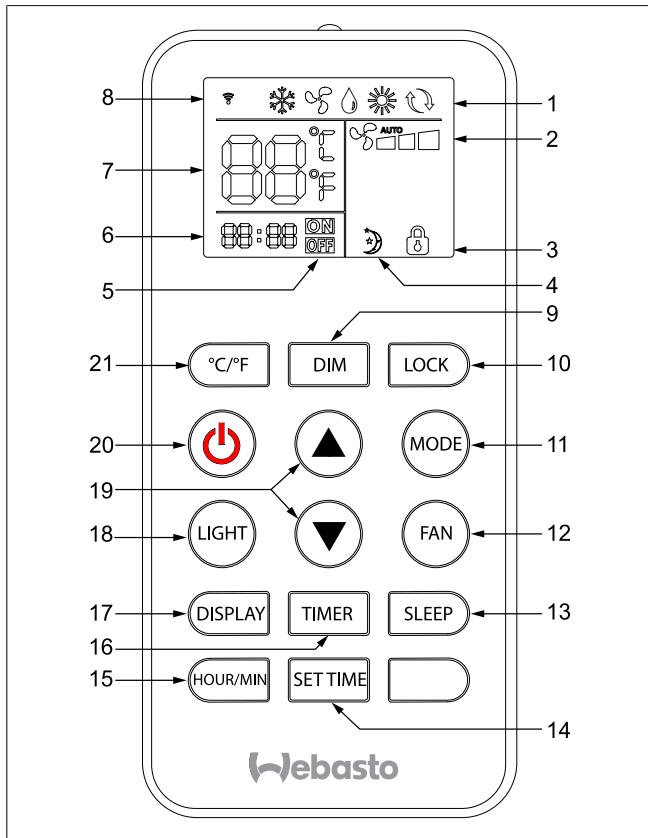


Abb. 32 Überblick über die Fernbedienung

Display-Symbole	Information
1 Betriebsart	COOL / FAN / DRY / HEAT / AUTO (Kühlen/Lüften/Trocknen/Heizen/Automatik)
2 Gebläsestufe	Low / Medium / High / Auto (Niedrig/Mittel/Hoch/Automatik)
3 Verriegelungsfunktion	-
4 Schlaffunktion	-
5 Timer-EIN/AUS-Status	-
6 Uhr/Timer	Echtzeituhr, Zeit des Timers bei Einrichtung.
7 Temperaturanzeige	Zeigt die Solltemperatur bzw. die Innentemperatur an. Anzeige in °C oder °F.
8 Datenübertragung	Symbol erscheint kurz, wenn die Fernbedienung Daten an die Klimaanlage sendet.

Bedientasten	Funktion
9 DIM*	Stellt die Helligkeit der LED-Leuchten ein: 25 %, 50 %, 75 %, 100 %
10 LOCK	Deaktiviert die Touch-Bedienung am Luftverteiler, wenn das Gerät AN ist. Zum Aktivieren die Taste nochmal drücken.
11 MODE	Wechselt die Betriebsart: COOL / DRY / FAN / HEAT / AUTO (Kühlen/Trocknen/Lüften/Heizen/Automatik).
12 FAN	Wechselt die Gebläsestufe: Low / Medium / High / AUTO (Niedrig/Mittel/Hoch/Automatik). Die automatische Gebläsestufenregelung ist nur im Kühl-/Heizbetrieb möglich. Bei automatischer Gebläsestufenregelung wechselt das Gebläse automatisch zwischen Niedrig, Mittel und Hoch.

Bedientasten	Funktion
13 SLEEP	Wählt den Schlafmodus aus. Nur im Kühl- oder Heizbetrieb möglich.
14 SET TIME	Ruft den UHR/TIMER-Einstellmodus auf.
15 HOUR/MIN	Wechselt zwischen Stunden- und Minuteneinstellung.
16 TIMER	Aktiviert verschiedene Timereinstellungen.
17 DISPLAY	Schaltet das Display am Luftverteiler ein/aus.
18 LIGHT*	Schaltet die LED-Leuchten am Luftverteiler ein/aus.
19 Pfeiltasten	Dienen zum Einstellen von Solltemperatur, Uhr bzw. Timer.
20 Ein-/Ausschalten	Schaltet die Anlage ein/aus.
21 °C/°F	Wechselt die Temperatureinheit der Anzeige: Grad Celsius oder Grad Fahrenheit.

* Nur bei Geräten mit LED-Leuchten.

6.6 Anlage ein-/ausschalten

Drücken Sie zum Einschalten der Anlage die -Taste der Fernbedienung.

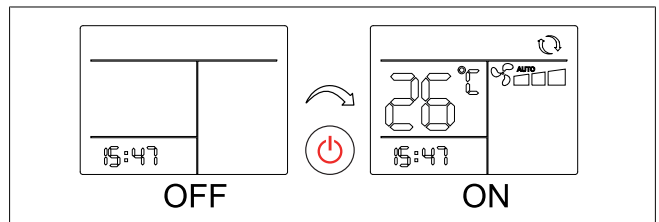


Abb. 33 Anlage einschalten

- Die Anlage schaltet sich ein und das Display am Luftverteiler zeigt die Solltemperatur und Betriebsart an.
- Die Anzeige der Fernbedienung zeigt die Solltemperatur, Betriebsart und Gebläsestufe an.
- Die letzten Einstellungen werden aufgerufen.
- Der Innenlüfter darf sofort starten, sobald die Einheit sich entweder im Gebläse- oder Kühlbetrieb befindet. Im Falle des Heizbetriebes wird eine Verzögerung vorliegen, denn die Innenspirale heizt auf, bevor der Innenlüfter einschaltet, damit ein kalter Zug vorgebeugt wird.
- Der Kompressor kann mit einer Verzögerung von bis zu 3 Minuten anlaufen. Diese Funktion dient zum Schutz des Kompressors.

Drücken Sie zum Ausschalten der Anlage noch einmal die -Taste.

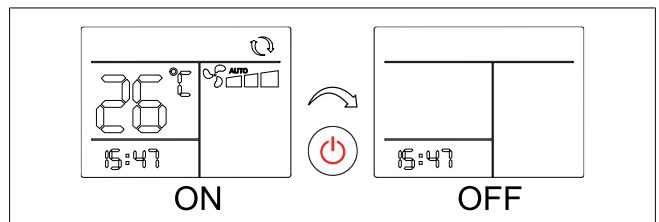


Abb. 34 Anlage ausschalten

- Die Anlage schaltet sich ab, das Display am Luftverteiler erlischt.
- Die Anzeige der Fernbedienung zeigt nur noch die Uhrzeit an.

Sie können die Anlage auch mit der -Berührungstaste am Luftverteiler ein- und ausschalten, Näheres dazu siehe Kapitel 6.16, "Luftverteiler bedienen ohne Fernbedienung" auf Seite 37.

6.7 Temperatur einstellen

Drücken Sie die ▲/▼-Pfeiltasten, um die Solltemperatur zu ändern.

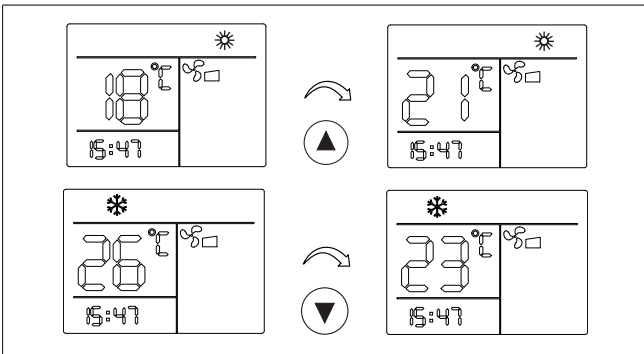


Abb. 35 Temperatur einstellen

- Die Anzeige der Fernbedienung und das Display am Luftverteiler zeigen beide die Solltemperatur an.
- Die Klimaanlage bestätigt durch einen Piepton, dass sie den geänderten Einstellwert empfangen hat.
- Sie können die Temperatur zwischen 16 und 30 °C einstellen, während die Anlage läuft.
- Im Gebläsebetrieb (FAN) ist keine Temperatureinstellung möglich.

6.8 Gebläsestufe einstellen

Drücken Sie die FAN-Taste, um die Gebläsestufe einzustellen.

- Die Gebläsestufe hat direkten Einfluss auf den Luftvolumenstrom.
- Mit jeder Betätigung der FAN-Taste wechselt die Gebläsestufe in der unten abgebildeten Reihenfolge.

AUTO zeigt an, dass die automatische Gebläsestufenregelung ausgewählt ist. In diesem Modus wird die Gebläsestufe automatisch angepasst. Die automatische Gebläsestufenregelung ist nur im Kühl- oder Heizbetrieb möglich.

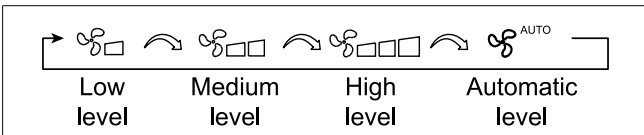


Abb. 36 Gebläsestufe einstellen

6.9 Betriebsart einstellen

Drücken Sie die MODE-Taste der Fernbedienung, um die Betriebsart zu ändern. Die Fernbedienung zeigt das Symbol der ausgewählten Betriebsart an.

- Mit jeder Betätigung der MODE-Taste wechselt die Betriebsart in der unten abgebildeten Reihenfolge.

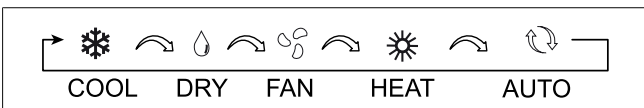


Abb. 37 Betriebsart einstellen

Kühlbetrieb ❄️

- Im Kühlbetrieb (COOL) zeigt der Luftverteiler das Symbol ❄️ an, das Fahrzeug wird gekühlt.
- Solltemperatur und Gebläsestufe können manuell ausgewählt werden.
- Der Kompressor schaltet sich ab, wenn die Solltemperatur erreicht ist, und schaltet sich automatisch wieder ein, wenn die eingestellte Raumtemperatur überschritten wird.

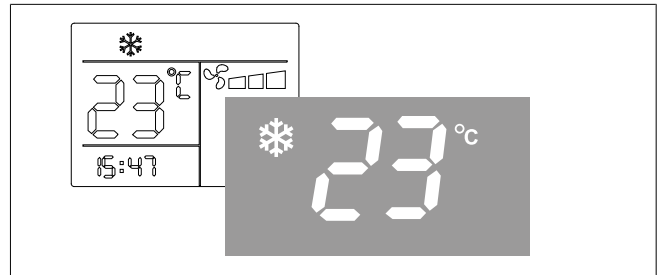


Abb. 38 Kühlbetrieb

Entfeuchtungsbetrieb

- Im Entfeuchtungsbetrieb (DRY) reduziert die Anlage die Luftfeuchtigkeit im Fahrzeug.
- Stellen Sie die Temperatur auf 1 °C unter der aktuellen Raumtemperatur ein.
- Der Luftverteiler zeigt das Symbol ❄️ an.

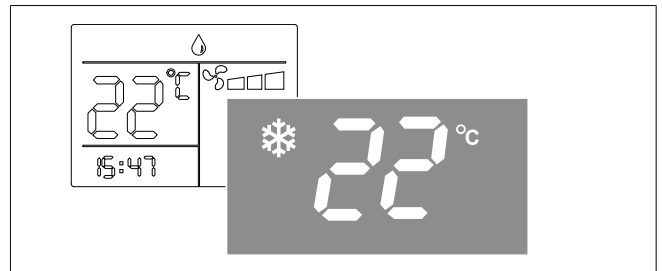


Abb. 39 Entfeuchtungsbetrieb

Gebläsebetrieb

- Im Gebläsebetrieb (FAN) wird die Luft im Fahrzeuginnenraum ohne Heizen oder Kühlen umgewälzt.
- Sie können die Gebläsestufe manuell einstellen.
- Der Luftverteiler zeigt das Symbol sowie die aktuelle Raumtemperatur an.

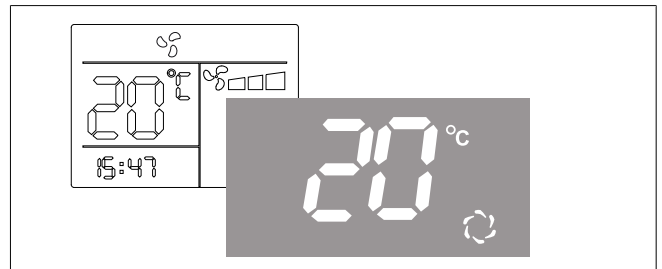


Abb. 40 Gebläsebetrieb

Heizbetrieb*

- Im Heizbetrieb (HEAT) zeigt der Luftverteiler das Symbol * an, das Fahrzeug wird geheizt.
- Sie können die Temperatur und die Gebläsestufe manuell einstellen.
- Der Kompressor schaltet sich ab, wenn die Solltemperatur erreicht ist, und schaltet sich automatisch wieder ein, wenn die Raumtemperatur unter den Sollwert fällt.

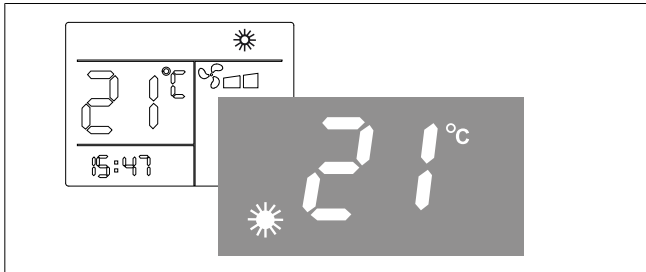


Abb. 41 Heizbetrieb

HINWEIS

Wenn die Anlage bei niedrigen Umgebungstemperaturen im Heizbetrieb läuft, wird der äußere Wärmeübertrager regelmäßig abgetaut. Der Luftverteiler zeigt während des Abtauens „dF“ auf dem Display an und schaltet nach dem Abtauen wieder auf Heizen um.

Automatikbetrieb

- Im Automatikbetrieb (AUTO) wechselt die Anlage automatisch zwischen Heizen und Kühlen, je nachdem, wie die aktuelle Raumtemperatur von der eingestellten Solltemperatur abweicht.
- Sie können die Solltemperatur und die Gebläsestufe manuell einstellen.
- Der Luftverteiler zeigt beim Heizen das Symbol * und beim Kühlen das Symbol ❄ sowie die Solltemperatur an.

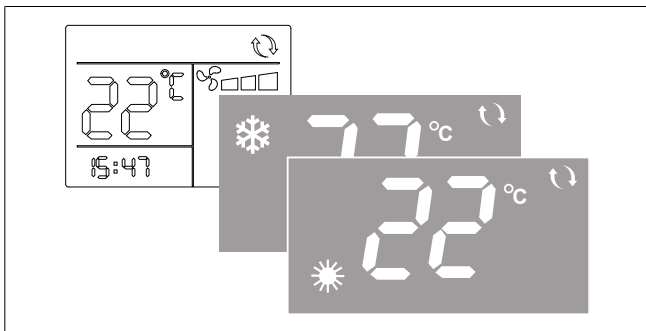


Abb. 42 Automatikbetrieb

6.10 Systemuhr einstellen

1. Drücken Sie die SET TIME-Taste. Die **Stunden**-Ziffern blinken.
2. Stellen Sie mit den ▲/▼-Pfeiltasten die Stunden ein.
3. Drücken Sie die HOUR/MIN-Taste. Die **Minuten**-Ziffern blinken.
4. Stellen Sie mit den ▲/▼-Pfeiltasten die Minuten ein.
5. Drücken Sie 3 Mal die SET TIME-Taste, um die Einstellung abzuschließen. Alternativ warten Sie 10 Sekunden, bis die Ziffern nicht mehr blinken.

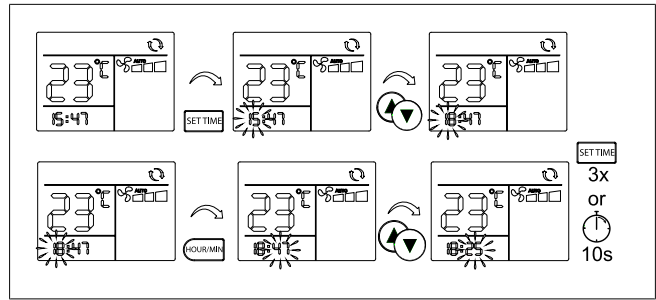


Abb. 43 Systemuhr einstellen

6.11 Timer einstellen

Durch Einstellen des Timers wird die Anlage zu der eingestellten Zeit ein- und ausgeschaltet. Zunächst müssen die Einschalt- und Ausschaltzeit eingestellt werden.

1. Drücken Sie zweimal die SET TIME-Taste, bis oben rechts neben der Uhrzeit ON erscheint und die **Stunden**-Ziffern blinken.
2. Stellen Sie mit den ▲/▼-Pfeiltasten die **Stunde** ein, zu der sich die Anlage einschalten soll.
3. Drücken Sie die HOUR/MIN-Taste und stellen Sie dann mit den ▲/▼-Pfeiltasten die **Minuten** ein.
4. Drücken Sie nochmal die SET TIME-Taste, bis unten rechts neben der Uhrzeit OFF erscheint und die **Stunden**-Ziffern blinken.
5. Stellen Sie mit den ▲/▼-Pfeiltasten die **Stunde** ein, zu der sich die Anlage ausschalten soll.
6. Drücken Sie die HOUR/MIN-Taste und stellen Sie dann mit den ▲/▼-Pfeiltasten die **Minuten** ein.
7. Drücken Sie nochmal die SET TIME-Taste, um den Einstellmodus zu verlassen. Die Uhrzeit wird angezeigt. Alternativ warten Sie 10 Sekunden, bis die Ziffern nicht mehr blinken.

HINWEIS

Die Timerzeiten für das Einschalten und Ausschalten sind nun eingestellt, müssen aber getrennt aktiviert werden. Siehe Kapitel 6.12, "Timer aktivieren" auf Seite 37.

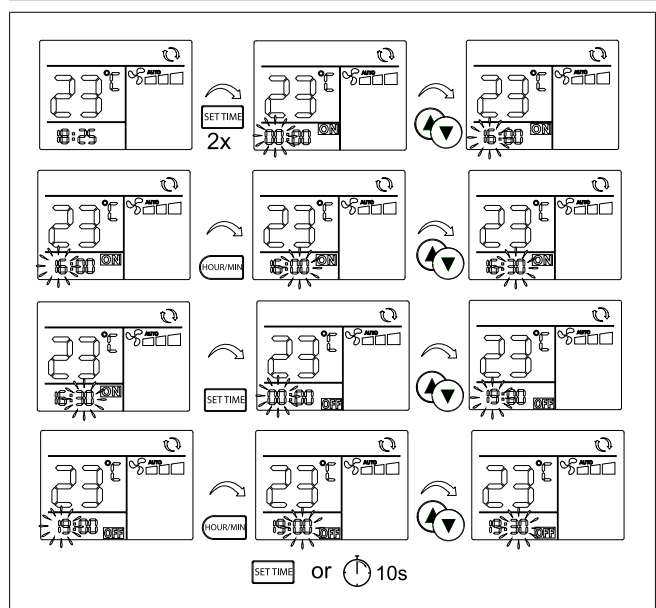


Abb. 44 Timer einstellen

6.12 Timer aktivieren

Bevor Sie den Timer aktivieren, stellen Sie die Betriebsart, die Solltemperatur und die gewünschte Gebläsestufe ein.

Wenn die Einschalt- und Ausschaltzeit eingestellt sind (siehe Kapitel 6.11, "Timer einstellen" auf Seite 36), kann der Timer in einem von drei TIMER-Modi aktiviert werden:

- **TIMER ON-Modus**
In diesem Modus schaltet sich die Anlage zur eingestellten Einschaltzeit ein und und bleibt eingeschaltet.
- **TIMER OFF-Modus**
In diesem Modus schaltet sich die Anlage zur eingestellten Ausschaltzeit aus und und bleibt ausgeschaltet.
- **TIMER ON/OFF-Modus**
In diesem Modus schaltet sich die Anlage zur eingestellten Einschaltzeit ein und dann zur eingestellten Ausschaltzeit aus. Dieser Vorgang wird täglich wiederholt.

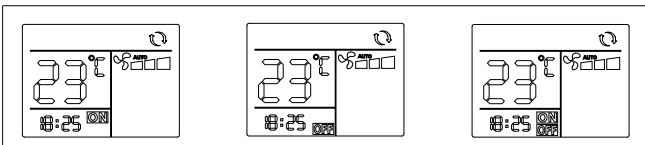


Abb. 45 TIMER-Modi

1. Drücken Sie mehrmals die TIMER-Taste, bis ON oder OFF oder beide Symbole blinken, je nachdem, welchen Modus Sie aktivieren wollen.
2. Um die Aktivierung abzuschließen, warten Sie 10 Sekunden, bis das Symbol nicht mehr blinkt und dauerhaft angezeigt wird. Die Uhrzeit wird wieder angezeigt.

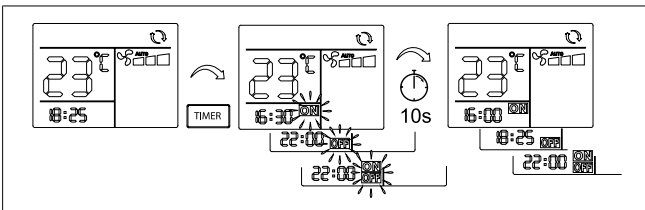


Abb. 46 Timer aktivieren



HINWEIS

Wird die Uhrzeit ohne ON/OFF-Symbol angezeigt, so ist der Timer nicht aktiviert.

6.13 Schlaffunktion einstellen

Die Schlaffunktion verändert die Solltemperatur automatisch, um eine angenehme Schlaftemperatur zu erreichen. Damit lassen sich auch die Kompressorlaufzeit, der Energieverbrauch und der Geräuschpegel reduzieren.

1. Drücken Sie die SLEEP-Taste, um die Schlaffunktion zu aktivieren.
 - Das Symbol auf der Anzeige der Fernbedienung zeigt an, dass die Schlaffunktion aktiviert ist.
 - Im Kühlbetrieb wird die Solltemperatur automatisch in zwei Schritten erhöht und ist nach zwei Stunden um 2 °C höher.
 - Im Heizbetrieb wird die Solltemperatur automatisch in drei Schritten abgesenkt und ist nach zwei Stunden um 3 °C niedriger.
 - Die Schlaffunktion ist nur im Kühl- und Heizbetrieb möglich.
2. Drücken Sie nochmal die SLEEP-Taste, um die Schlaffunktion zu deaktivieren.

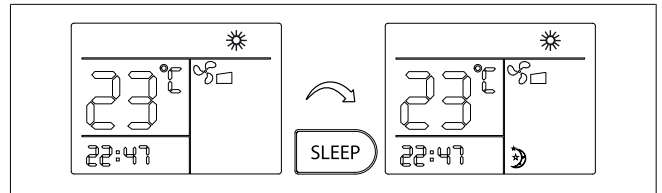


Abb. 47 Schlaffunktion einstellen

6.14 Temperatureinheit wechseln

Drücken Sie die °C/°F-Taste, um die angezeigte Temperatureinheit zwischen Grad Celsius und Grad Fahrenheit zu wechseln.

- Dies ist in jeder Betriebsart möglich.
- Das Display des Luftverteilers übernimmt die Einstellung der Anzeige der Fernbedienung.

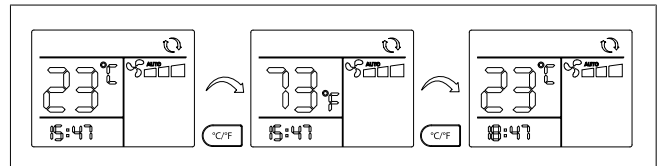


Abb. 48 Grad Celsius / Grad Fahrenheit wechseln

6.15 Fernbedienung zurücksetzen

Um die Fernbedienung auf die Werkseinstellungen zurückzusetzen:

1. Entnehmen Sie kurz die Batterien und setzen Sie sie wieder ein. Siehe auch Kapitel 7.2, "Batterien der Fernbedienung" auf Seite 38.
2. Stellen Sie die Uhrzeit neu ein. Siehe Kapitel 6.10, "Systemuhr einstellen" auf Seite 36.
3. Aktivieren Sie den Timer wieder, falls Sie diesen verwenden. Siehe Kapitel 6.12, "Timer aktivieren" auf Seite 37.

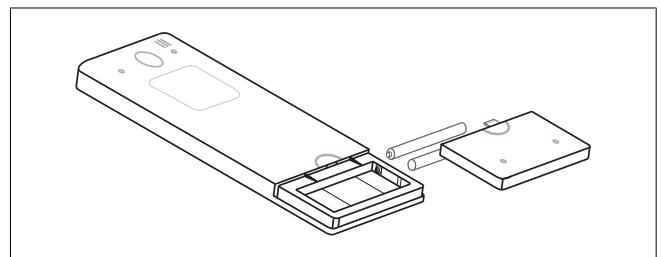


Abb. 49 Fernbedienung zurücksetzen

6.16 Luftverteiler bedienen ohne Fernbedienung

Sie können die Grundfunktionen der Klimaanlage auch mit der Berührungstaste am Display des Luftverteilers bedienen. Dies ist praktisch, wenn die Fernbedienung nicht gleich auffindbar ist oder die Batterien leer sind.

1. Berühren Sie die -Berührungstaste am Display des Luftverteilers. Mit jeder Berührung wechselt die Betriebsart: OFF, COOL, FAN, HEAT (Aus, Kühlen, Lüften, Heizen).

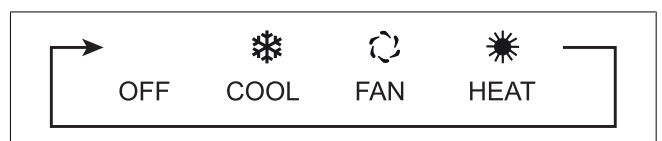


Abb. 50 Betriebsart einstellen

- Im Kühl- und Heizbetrieb ist die Solltemperatur automatisch auf 24 °C und die Gebläsestufe auf HOCH eingestellt.
2. Andere Temperaturen und Gebläsestufen sind mit der Fernbedienung einstellbar.

- Der Automatikbetrieb (AUTO) ist am Luftverteiler nicht einstellbar, das Display zeigt jedoch das Symbol für den Automatikbetrieb oben rechts an, wenn dieser mit der Fernbedienung eingestellt wurde.

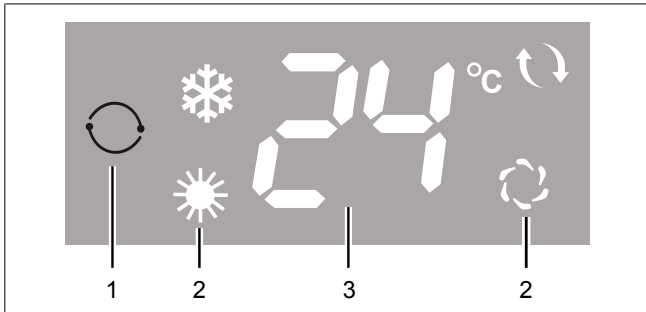


Abb. 51 Display am Luftverteiler

1	Berührungstaste
2	Betriebsart-Symbole
3	Temperaturanzeige

6.17 Luftausströmer einstellen

Bewegen Sie eine der Lamellen so, dass der Luftstrom in der gewünschten Richtung und im gewünschten Winkel abgegeben wird. Die drei Lamellen bewegen sich synchron.



Abb. 52 Luftausströmer einstellen

7 Wartung

7.1 Luftfilter

Die Abluftfilter müssen regelmäßig gewartet werden.

- Kontrollieren und reinigen Sie die Filter bei Verwendung wöchentlich, um zu verhindern, dass sie sich durch Schmutz zusetzen.
 - Waschen Sie die Filter regelmäßig aus, um effektives Kühlen und Heizen zu gewährleisten.
- Ziehen Sie die Luftfilter (1) aus dem Luftverteiler (2) heraus.
 - Reinigen Sie die Filter mit warmem Wasser und Reinigungsmittel.
 - Vor dem Wiedereinbau trocknen lassen.

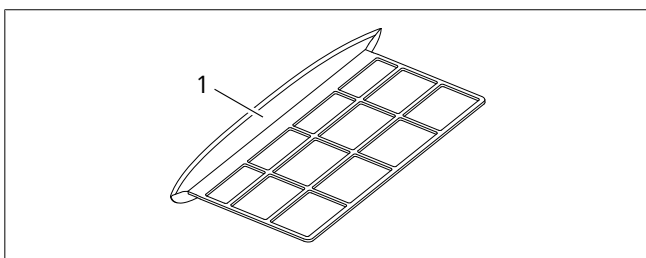


Abb. 53 Luftfilter

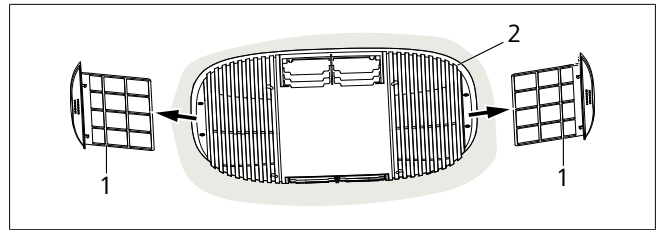


Abb. 54 Ausbau der Luftfilter

HINWEIS

Ersatzfilter können separat bestellt werden. Betreiben Sie die Klimaanlage niemals ohne Filter. Dadurch kann der Wärmeübertrager verschmutzt werden, was zu Leistungsverlusten führt.

7.2 Batterien der Fernbedienung

- Wechseln Sie die Batterien der Fernbedienung (2 x AAA-Zelle), wenn die Anzeige der Fernbedienung schwach oder unscharf wird.
- Entnehmen Sie die Batterien aus der Fernbedienung, wenn Sie die Fernbedienung längere Zeit nicht benutzen, damit diese nicht beschädigt wird, falls Batterien auslaufen.

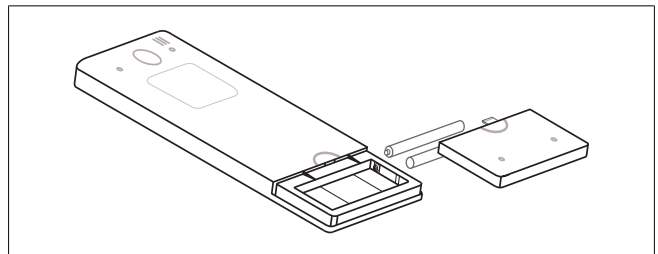


Abb. 55 Batterien der Fernbedienung

Siehe auch Kapitel 6.15, "Fernbedienung zurücksetzen" auf Seite 37.



Alle Batterien und Elektronikgeräte unterliegen der europäischen Richtlinie 2006/66/EG bzw. 2002/96/EG und dürfen nach Gebrauch nicht im Hausmüll entsorgt werden. Siehe auch <https://eur-lex.europa.eu/advanced-search-form.html>.

Jeder Verbraucher ist gesetzlich verpflichtet, Altbatterien und Elektronikaltgeräte nur in gekennzeichneten Recyclingbehältern bei einer Abfallsammelstelle zu entsorgen. Die Rücknahme ist unentgeltlich.

Siehe auch: Kapitel 9, "Entsorgung" auf Seite 40.

7.3 Kontrolle der Montageschrauben

Kontrollieren Sie 3 Monate nach Einbau der Klimaanlage, dass die vier Schrauben, mit denen die Anlage am Dach montiert ist, fest sitzen.

Kontrollieren Sie diese Schrauben regelmäßig; mindestens alle 12 Monate. Ziehen Sie sie ggf. mit 7 Nm nach.

7.4 Regelmäßige Verwendung

Webasto empfiehlt, die Klimaanlage regelmäßig zu verwenden, um eine gute Leistung zu erhalten. Lassen Sie die Anlage mind. alle 6 Monate wenigstens 20-30 Minuten lang laufen.

7.5 Reinigen

Befreien Sie die Lüftungsgitter der Außeneinheit regelmäßig von Laub und anderen Verschmutzungen.

- Reinigen Sie die Anlage regelmäßig mit einem weichen, feuchten Lappen und mildem Reinigungsmittel.

- Säubern Sie das Fahrzeugdach in regelmäßigen Abständen. Ein verschmutztes Dach heizt sich stärker auf als ein sauberes Dach.

**VORSICHT**

- ▶ Fahren Sie niemals mit einem Fahrzeug mit Aufdachklimaanlage durch eine automatische Waschanlage.
- ▶ Sprühen Sie nicht mit einem Hochdruckreiniger in die Öffnungen der Anlage.
- ▶ Verwenden Sie keine Heißwasser- oder Dampfreiniger.
- ▶ Verwenden Sie zur Säuberung keine scharfen oder harten Werkzeuge.
- ▶ Verwenden Sie niemals Benzin, Diesel, Lösungsmittel oder aggressive Reinigungsmittel.


7.6 Wärmeübertrager

Lassen Sie die Wärmeübertrager Ihrer Anlage mind. ein Mal jährlich durch einen Fachbetrieb reinigen.

8 Fehlerbehebung

Symptom	Maßnahme
Display am Luftverteiler bleibt aus, obwohl die Anlage eingeschaltet ist.	Kontrollieren Sie: <ul style="list-style-type: none"> ● ob das Fahrzeug mit Strom versorgt wird und die Schutzschalter geschlossen sind. ● ob die Batterien der Fernbedienung in Ordnung sind. ● ob die Fernbedienung aus ist. ● ob die Spannung zu niedrig ist. ● ob der Ausschaltstrom des Schutzschalters der externen Stromversorgung zu niedrig bemessen ist.
Kühlen ist nicht möglich.	Kontrollieren Sie, dass der Kühlbetrieb eingestellt ist und das Display am Luftverteiler folgendes Symbol anzeigt:  Stellen Sie mit der Fernbedienung die Solltemperatur unter der aktuellen Raumtemperatur ein. Der Kompressor läuft mit einer Verzögerung von 3 Minuten wieder an.
Heizen nicht möglich.	Kontrollieren Sie, dass der Heizbetrieb eingestellt ist und das Display am Luftverteiler folgendes Symbol anzeigt:  Stellen Sie mit der Fernbedienung die Solltemperatur über der aktuellen Raumtemperatur ein. Bei extrem niedrigen Umgebungstemperaturen kann das Aufheizen länger dauern. Wenn sich die Anlage im Heizbetrieb befindet und die Außentemperatur sehr niedrig ist, kann die Anlage automatisch auf Abtauen umschalten. Dabei wird das Heizen vorübergehend unterbrochen, während die Anlage den Wärmeübertrager außen erwärmt und von Eis befreit. Wenn der Wärmeübertrager außen abgetaut ist, wird das Heizen fortgesetzt. Während des Abtauens zeigt die Anlage „dF“ an.
Schlechte Kühlleistung.	Sorgen Sie dafür, dass der Filter sauber ist. Schalten Sie die Gebläsestufe auf Hoch , um die maximale Leistung zu erhalten. Sorgen Sie dafür, dass alle Türen und Fenster sowie das Sonnendach geschlossen sind. Vorhänge, Jalousien und Vordächer können die Heizlast verringern. Stellen Sie sicher, dass die Luftöffnungen der Außeneinheit nicht verschmutzt oder blockiert sind.
Wasser tropft aus dem Luftverteiler.	Machen Sie die Kondensatausgänge der Außeneinheit frei. Kontrollieren Sie die Abdichtung des Adapterrahmens. Parken Sie das Fahrzeug auf einer ebenen Fläche, mit einem Neigungswinkel <math><5^\circ</math> (8,8 %). Schalten Sie die Gebläsestufe auf Hoch, wenn sich außen am Luftverteiler Kondenswasser niederschlägt.
Angezeigte Fehlercodes:	
-	Wird während des Generatorbetriebs eine „0“ angezeigt oder springt die Displayanzeige, kann eine instabile Spannungs- und Stromversorgung vorliegen.
E0	Kommunikationsfehler.
E1	Störung Raumtemperatursensor.
E2	Störung des Temperatursensors des Wärmeübertragers innen.
E3	Störung des Temperatursensors des Wärmeübertragers außen.
E4	Keine Kühlwirkung. Mögliche Ursachen sind:

Symptom	Maßnahme
	<ul style="list-style-type: none"> ● Zu wenig Kältemittel aufgrund einer Leckage in einer Rohrleitung. ● Kompressor defekt. ● Sensor defekt.
E5	Temperatur des Wärmeübertragers außen zu hoch / Temperaturanomalie. Temperaturanomalie: Temperatur des Wärmeübertragers außen ist beim Kühlen zu hoch bzw. beim Heizen zu niedrig. (Wird beim Kühlen der Code E5 am Display angezeigt, so liegt die Außentemperatur über 64 °C.) Dies liegt vermutlich an einem zu geringen Luftstrom am Verflüssiger oder an einer Funktionsstörung des Verflüssigergebläses oder einer Sensorstörung; im Heizbetrieb bei Außentemperaturen über 18 °C kann sich das Außenluftgebläse wiederholt ein- und ausschalten. Dabei handelt es sich nicht um einen Fehler, sondern um eine Systemfunktion zum Schutz der Anlage vor Überhitzung.)
dF	Dies ist kein Fehler: Wenn die Anlage bei niedrigen Umgebungstemperaturen im Heizbetrieb läuft, wird der Wärmeübertrager außen regelmäßig abgetaut. Der Luftverteiler zeigt während des Abtauens „dF“ auf dem Display an und schaltet nach dem Abtauen wieder auf Heizen um.

 **HINWEIS**

Bevor Sie den technischen Kundendienst von Webasto kontaktieren, prüfen Sie bitte folgende Punkte und halten Sie die Antworten bereit:

- ▶ Werden Fehlercodes angezeigt?
- ▶ Ist das Display am Luftverteiler im Normalbetrieb oder nicht?
- ▶ Zeigt es eine Temperatur von 16 bis 30 °C an?
- ▶ Können Sie die Solltemperatur im Kühl- oder Heizbetrieb einstellen?
- ▶ Zeigt das Display eine „0“ an?
- ▶ Springt die Displayanzeige oder ist durcheinander?
- ▶ Tritt im Gebläsebetrieb Luft aus den Luftausströmern des Luftverteilers aus?
- ▶ Können Sie hören, dass der Kompressor im Heiz- oder Kühlbetrieb anläuft oder stoppt?

⇒ Ihre Antworten auf diese Fragen sind eine große Hilfe für unseren Kundendienst, um Ihnen weiterzuhelfen. Vielen Dank!

9 Entsorgung



Entsorgen Sie Verpackungsmaterialien entsprechend den geltenden Vorschriften und sortieren Sie sie für das Recycling. Wenn Ihre Anlage das Ende der Lebensdauer erreicht hat, dürfen Sie die Anlage nicht im Hausmüll entsorgen. Entsorgen Sie die Anlage gemäß allen geltenden örtlichen und nationalen Regeln und Vorschriften. Informationen über die fachgerechte Entsorgung erhalten Sie bei Ihrer kommunalen Verwaltung, dem zuständigen Wertstoffhof und/oder Ihrem lokalen Webasto Vertriebspartner.

Jeder Verbraucher ist gesetzlich verpflichtet, Altbatterien und Elektronikaltgeräte nur in gekennzeichneten Recyclingbehältern bei einer Abfallsammelstelle zu entsorgen. Die Rücknahme ist unentgeltlich.



Siehe auch: Kapitel 7.2, "Batterien der Fernbedienung" auf Seite 38.

10 Technische Daten

Parameter	Wert		Parameter	Wert	
	CTT 20	CTT 24		CTT 20	CTT 24
Produktname	Cool Top Trail 20/24		Kühlen möglich bei Umgebungstemperaturen	16 °C bis 50 °C	
Modellbezeichnung des Herstellers	Belaire H2000/H2400		Max. Auslegungsdruck	2900 kPa	
Stromversorgung	220-240 V/50 Hz		Min. Auslegungsdruck	1840 kPa	
Nennkühlleistung	2000 W	2400 W	Max. Luftstrom	310 m ³ /h	
Nennheizleistung	2000 W	2400 W	Gewicht Außeneinheit	28 kg netto	29 kg netto
Eingangsleistung für Kühlen	700 W	950 W	Gewicht Inneneinheit	2,8 kg netto	
Eingangsleistung für Heizen	600 W	850 W	Kältemittelfüllung	R407C/470 g	R407C/450 g
Nennstrom für Kühlen	3,0 A	4,2 A	Treibhauspotential (GWP)	1774	
Nennstrom für Heizen	2,6 A	3,8 A	CO ₂ -Äquivalent	834 kg	798 kg
Max. Eingangsleistung	800 W	1040 W	Max. Fahrzeug-Neigungswinkel während des Betriebs	5° (=8,8%)	
Max. Strom	3,5 A	4,5 A	Abmessungen	Siehe Abb. 7 / Abb. 8	
Betrieb bei Umgebungstemperaturen	-5 °C bis +50 °C		IP-Gehäuseschutzart	IP24	



HINWEIS

Alle aufgeführten Parameter können jederzeit ohne Ankündigung geändert werden; die technischen Daten des Typenschildes der Anlage sind maßgebend. Alle Werte sind Näherungswerte und können sich ändern.

11 Schaltbild

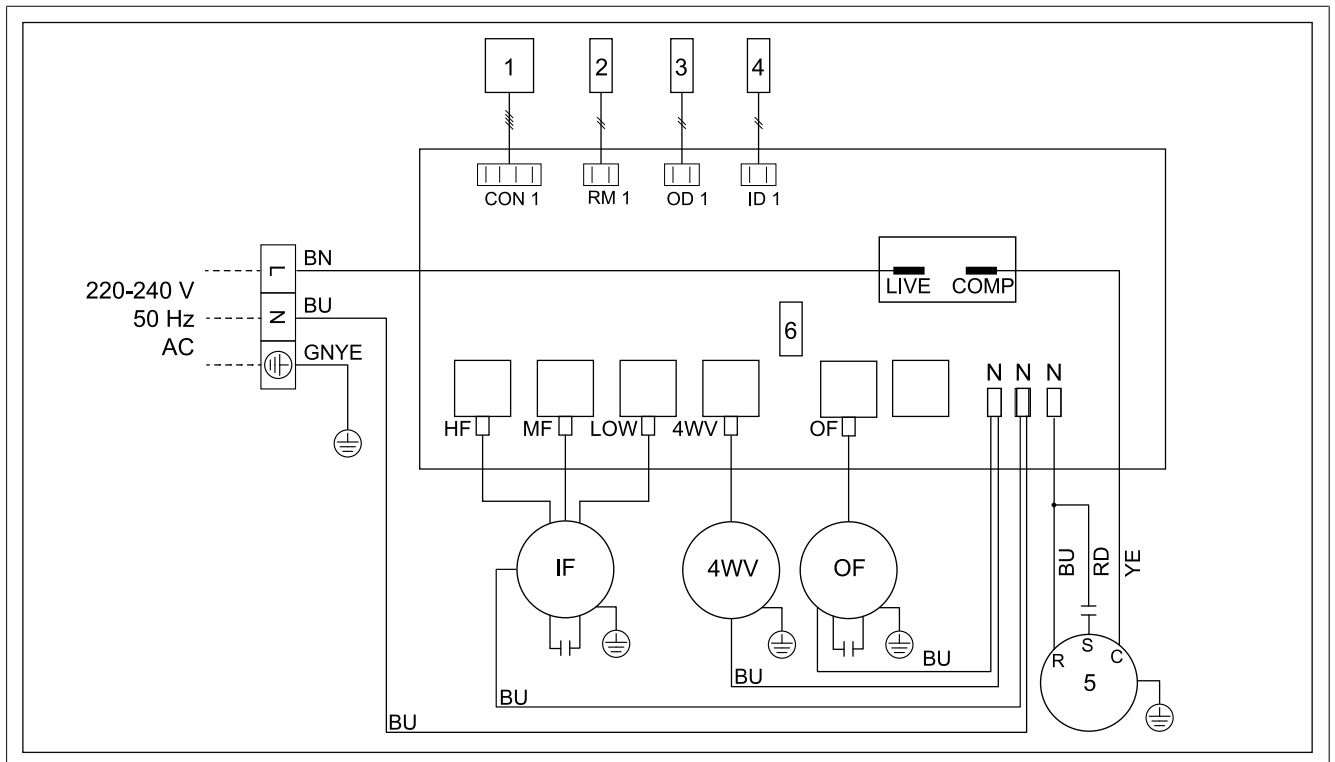


Abb. 56 Schaltplan

Pos.	Beschreibung
1	Bedienelement
2	Raumsensor
3	Sensor Wärmeübertrager außen
4	Sensor Wärmeübertrager innen
5	Kompressor
6	Sicherung 5x20 mm, 250 V, T5AL bzw. T5AH

Pos.	Beschreibung
4WW	4-Wege-Umkehrventil
ID	Innensensor
IF	Innenlüfter
OD	Außensensor
OF	Außenlüfter
HF	Hoch
MF	Mittel
NIEDRIG	Niedrig

Leitungscode	Leitungsfarbe
BN	braun
BU	blau
GNYE	grün-gelb
RD	rot
YE	gelb

Sommaire

FR

1	Introduction.....	45	7.1	Filtre à air	60
1.1	Utilisation de symboles et de mises en évidence.....	45	7.2	Piles de la télécommande	60
1.2	Garantie et responsabilité	45	7.3	Contrôle des boulons.....	61
2	Sécurité.....	46	7.4	Utilisation normale	61
2.1	Utilisation conformément aux dispositions.....	46	7.5	Nettoyage	61
2.2	Consignes de sécurité	46	7.6	Échangeurs de chaleur.....	61
2.3	Qualifications du personnel	46	8	Dépannage	62
3	Composition de la fourniture	47	9	Élimination	62
4	Connecteurs nécessaires pour le CI-BUS	47	10	Caractéristiques techniques	64
5	Notice de montage	48	11	Schéma de câblage.....	65
5.1	Informations générales	48		Déclarations de conformité.....	151
5.2	Exigences d'installation.....	48			
5.3	Différentes dimensions de découpe	48			
5.4	Position de montage.....	48			
5.5	Renforts de toit	49			
5.6	Alimentation électrique.....	49			
5.7	Câble(s) CI-BUS.....	50			
5.8	Installation du cadre de l'adaptateur.....	50			
5.9	Installation de l'unité extérieure	51			
5.10	Branchement de l'alimentation électrique	51			
5.11	Installation du support de montage du distributeur d'air.....	51			
5.12	Raccordement de la gaine d'entrée d'air.....	52			
5.13	Connexion des câbles des unités extérieure et intérieure.....	52			
5.14	Connexion des câbles CI-BUS.....	52			
5.15	Installation du dispositif de distribution d'air.....	53			
5.16	Installation du support de télécommande	53			
5.17	Test du système.....	54			
6	Notice d'utilisation	55			
6.1	Avant utilisation.....	55			
6.2	Pour un chauffage ou un refroidissement efficaces ..	55			
6.3	Traitement de la condensation.....	55			
6.4	Choix et usage d'un générateur ou onduleur	55			
6.5	Utilisation de la télécommande.....	56			
6.6	Mise en marche/à l'arrêt de l'unité.....	56			
6.7	Réglage de la température.....	57			
6.8	Réglage de la vitesse du ventilateur	57			
6.9	Réglage du mode de fonctionnement.....	57			
6.10	Réglage de l'horloge système	58			
6.11	Réglage de la minuterie	58			
6.12	Activer la minuterie.....	59			
6.13	Réglage de la fonction Sleep.....	59			
6.14	Changement de l'unité de température	59			
6.15	Réinitialisation de la télécommande	59			
6.16	Fonctionnement du distributeur d'air sans télécommande.....	60			
6.17	Réglage des sorties d'air	60			
7	Entretien.....	60			

1 Introduction

La présente notice de montage et d'utilisation accompagne le produit et contient toutes les informations nécessaires pour une installation et une utilisation correctes et sûres.

- ▶ Veuillez lire cette notice avant toute installation ou utilisation de l'unité.
- ▶ Gardez cette notice d'installation et d'utilisation à portée de main.
- ▶ Remettez cette notice aux propriétaires ou utilisateurs ultérieurs de l'appareil.

1.1 Utilisation de symboles et de mises en évidence

	DANGER Ce mot avertit d'un danger avec un niveau de risque élevé qui, s'il n'est pas évité, peut entraîner des blessures graves, voire mortelles.
	AVERTISSEMENT Ce mot avertit d'un danger avec un niveau de risque moyen qui, s'il n'est pas évité, entraînera des blessures mineures ou modérées.
	PRUDENCE Ce mot avertit d'un danger avec un niveau de risque faible qui, s'il n'est pas évité, peut entraîner des blessures mineures ou modérées.
	REMARQUE Ce symbole indique une caractéristique technique spéciale ou un risque d'endommagement du produit (en cas de non respect des instructions).
	Les textes accompagnés de ce symbole se réfèrent à des documents séparés fournis ou qui sont disponibles sur demande auprès de Webasto.

- ✓ Condition pour les instructions suivantes

1.2 Garantie et responsabilité

La période de garantie applicable est celle prévue par la loi. Si le produit est défectueux, veuillez contacter le service client Webasto de votre pays. Vous trouverez votre revendeur le plus proche à l'adresse :

<https://dealerlocator.webasto.com/en-int>

Nos experts se feront un plaisir de vous aider et vous expliqueront plus en détail la procédure garantie.

Webasto décline toute responsabilité quant aux défauts ou dommages résultant du non-respect des instructions d'installation et d'utilisation. Cette exclusion de responsabilité s'applique particulièrement à :

- Installation par un personnel ne disposant pas de la formation adéquate.
- Utilisation inappropriée.
- Réparations n'ayant pas été effectuées dans un atelier d'entretien et de maintenance Webasto.
- Utilisation de pièces de rechange qui ne seraient pas d'origine.
- Toute modification de l'unité sans accord préalable de Webasto.
- Endommagements de l'appareil dus à des influences mécaniques.
- Non-respect des instructions d'installation et de la notice d'utilisation.
- Non-respect des instructions relatives aux inspections et à la maintenance.

- Toute utilisation avec des tensions différentes de celles spécifiées dans les caractéristiques techniques.
- Tout endommagement de la télécommande résultant de la fuite des piles.
- Tous dommages causés par le contact avec des substances non recommandées (par ex. produits chimiques, produits de nettoyage non recommandés).
- Tous dommages causés par des conditions d'utilisation non conformes ou des conditions environnementales anormales.
- Tous dommages résultant d'un mauvais transport.

2 Sécurité

2.1 Utilisation conformément aux dispositions

Le Cool Top Trail 20 - 24 est conçu pour être installé dans les caravanes ou les camping-cars et dans les véhicules avec compartiments habitables.

Le Cool Top Trail 20 - 24 :

- n'est pas destiné à l'installation dans les machines de construction, les machines agricoles ou tout autre équipement similaire.
- Il n'est pas non plus destiné à être utilisé dans les bateaux et ne doit pas être exposé aux fortes vibrations.
- Il n'est pas destiné à l'installation dans les maisons ou les appartements.
- Il ne doit pas être utilisé dans les véhicules pendant la conduite.

2.2 Consignes de sécurité



DANGER

Danger d'électrocution

- ▶ Coupez toujours l'alimentation électrique secteur et débranchez l'unité du secteur avant de travailler sur le système.
- ▶ Assurez-vous que la prise d'alimentation secteur externe du véhicule est correctement reliée à la terre conformément aux réglementations locales.
 - Une mauvaise mise à la masse de l'unité peut être cause d'électrocution ou d'incendie.
- ▶ Après l'installation, vérifiez que le climatiseur ne présente pas de courants de fuite.
- ▶ Arrêtez immédiatement le climatiseur et coupez l'alimentation électrique si vous détectez une odeur inhabituelle, ou si vous observez de la fumée ou des flammes.
- ▶ Le fusible T 5A 250 V du climatiseur se trouve sur l'élément de commande électronique. Il ne doit être remplacé que par un fusible identique.



DANGER

Risque de blessure ou danger de mort !

- ▶ N'utilisez pas le climatiseur près de liquides inflammables ou dans des pièces fermées.
- ▶ Veillez à ce qu'aucun objet combustible ne soit rangé ou installé près de la sortie d'air. Maintenez une distance d'au moins 50 cm.
- ▶ N'introduisez pas vos mains dans les ouvertures à air et n'insérez aucun objet dans le climatiseur. Ne faites pas fonctionner le climatiseur sans couvercle.
- ▶ En cas d'incendie, ne retirez et n'ouvrez pas le couvercle supérieur du climatiseur. Utilisez plutôt les équipements d'extinction d'incendie appropriés. N'utilisez pas d'eau pour éteindre les feux.
- ▶ Le climatiseur doit être correctement installé de manière à rester fixé au toit.
- ▶ Portez toujours les vêtements de protection recommandés durant l'installation, par ex. des lunettes ou des gants.
- ▶ Assurez-vous que le toit du véhicule est capable de supporter le poids de l'installateur et celui du climatiseur d'air avant de grimper dessus.



PRUDENCE

- ▶ Il peut y avoir des câbles au-dessus du plafond. Lorsque vous coupez dans le toit, veillez à couper le courant pour éviter tout risque de choc électrique.
- ▶ Ne vaporisez pas de peinture ou d'insecticide sur la surface du climatiseur.
- ▶ Dans le cas où l'unité est équipée de lumières : branchez les LED uniquement au fil d'alimentation DC du climatiseur. Leur branchement à toute autre source d'alimentation électrique peut endommager les LED.
- ▶ Les appareils électriques ne sont pas des jouets. Gardez-les hors de portée des enfants ou des personnes infirmes. Cet appareil n'est pas destiné à être utilisé par des personnes présentant des capacités physiques, sensorielles ou mentales ou un manque d'expérience ou de connaissance qui ne leur permettent pas de l'utiliser en toute sécurité, sauf si elles sont placées sous la surveillance de ou ont reçu des instructions concernant son utilisation par une personne responsable.
- ▶ Ne passez jamais dans un lavauto automatique avec un climatiseur de toit installé.
- ▶ Si des défaillances se produisent dans le circuit de réfrigération du climatiseur, l'appareil doit être contrôlé par une société spécialisée et correctement réparé. Le gaz réfrigérant ne doit jamais être rejeté dans l'air.



REMARQUE

- ▶ Maintenez l'admission et la sortie d'air des unités intérieure et extérieure du climatiseur propres.
- ▶ Si vous n'utilisez pas le climatiseur pendant une longue période, coupez l'alimentation électrique.
- ▶ Installez le climatiseur en conformité avec les instructions du présent manuel. Une méthode d'installation incorrecte ou une altération du produit peuvent provoquer des dégâts à l'appareil ou des lésions à l'utilisateur.
- ▶ Nettoyez régulièrement le filtre du climatiseur.
- ▶ Un filtre encrassé réduira le débit d'air et diminuera les performances de chauffage et de refroidissement.
- ▶ Demandez au constructeur du véhicule si une inspection technique est nécessaire après avoir installé le climatiseur et si la hauteur du véhicule consignée dans les documents de ce véhicule doit être corrigée.
- ▶ N'éteignez le système de climatisation en coupant l'alimentation électrique qu'en cas d'urgence.
- ▶ Contactez le personnel après-vente en cas de panne de l'appareil.

2.3 Qualifications du personnel

Qualifications du personnel d'installation et de maintenance :

- Qualification correspondante pour les interventions sur les systèmes techniques/électriques.
- Certification pour les travaux sur les systèmes de climatisation frigorifique.
- Détenir des licences valables pour ces travaux.

3 Composition de la fourniture

Le système sera livré en 2 colis.

Vérifiez que tout a bien été livré et que le matériel n'a pas subi de dommages.

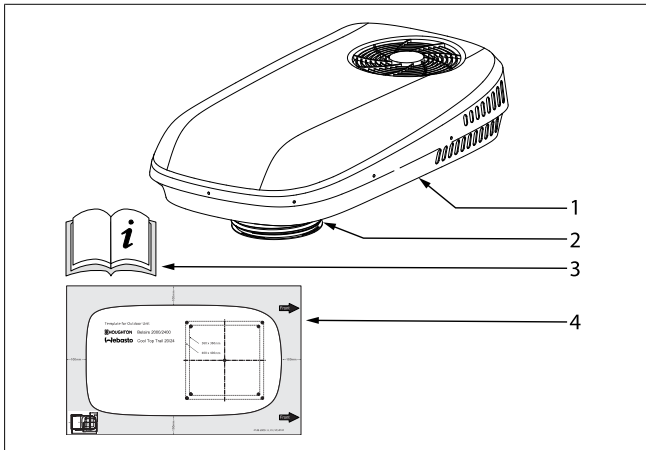


Fig. 1 Unité extérieure

Pos.	Description	Quantité
1	Unité extérieure	1
2	Gaine d'entrée d'air	1
3	Notice d'utilisation et de montage	1
4	Modèle de l'unité extérieure	1

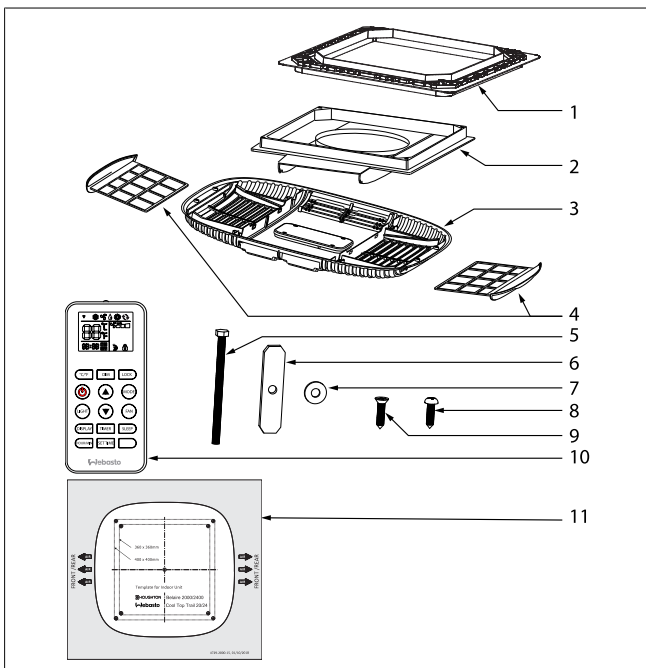


Fig. 2 Unité intérieure

Pos.	Description	Quantité
1	Cadre de l'adaptateur	1
2	Support de montage du distributeur d'air	1
3	Distributeur d'air	1
4	Filtre d'air de retour	2
5	Boulon à tête hexagonale M8x120 mm	4
6	Barre de serrage métallique	4
7	Rondelle large M8	4

Pos.	Description	Quantité
8	Vis à tête cylindrique ST4.2*19 du distributeur d'air	4
9	Vis à tête fraisée auto-taraudeuse ST4.2*16-C	6
10	Télécommande avec support et piles (2x type AAA)	1
11	Modèle de l'unité intérieure	1

4 Connecteurs nécessaires pour le CI-BUS

REMARQUE

Ce chapitre n'est applicable que si l'unité intérieure Cool Top Trail 20 - 24 est équipée d'un Unité CI-BUS et que ce Unité CI-BUS doit être connecté à un système CI-BUS externe.

Le Unité CI-BUS doit être connecté au système CI-BUS dans la caravane, le camping-car ou le véhicule avec compartiments habitables.

Cela exige l'installation d'un câble CI-BUS entre le système CI-BUS et le Unité CI-BUS dans le Cool Top Trail 20 - 24. Ce câble n'est pas inclus dans la livraison.

Si deux climatiseurs d'air Cool Top Trail sont installés, utilisez un câble d'interconnexion CI-BUS entre les Unité CI-BUS installés dans les climatiseurs. Ce câble n'est pas inclus dans la livraison. Les câbles CI-BUS doivent être montés avec des connecteurs Molex. Ces connecteurs sont assemblés grâce aux pièces listées et présentées ci-dessous. Ces éléments ne sont pas inclus dans la livraison :

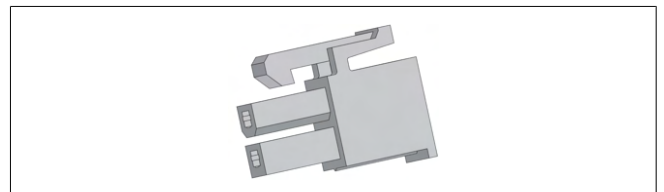


Fig. 3 Boîtier

Molex Mini-Fit Jr. Boîtier de fiche, Double Rangée, 2 Circuits, UL 94V-2, Naturel

Référence pièce Molex :
39012020 (Ingénierie / Ancien PN : 5557-02R)



Fig. 4 Borne à sertir

Borne femelle Molex Mini-Fit, laiton revêtu étain (Sn) sur cuivre (Cu)

Référence pièce Molex (sélectionnez un type) :
39000038 / (Ingénierie / Ancien PN : 5556T)
39000046 / (Ingénierie / Ancien PN : 5556T2)
39000059 / Ancien PN : 5556PBT

5 Notice de montage

5.1 Informations générales

- Lisez soigneusement ce manuel avant l'installation et comprenez les instructions.
- N'ajoutez pas d'autres composants et ne modifiez pas le produit pendant l'installation.
- Consultez Webasto ou votre distributeur local si vous rencontrez des applications ou des conditions d'installation particulières qui ne sont pas traitées spécifiquement par le présent manuel.



AVERTISSEMENT

Au cas où un tuyau d'évacuation de chauffage est installé sur le toit près du climatiseur, ce tuyau d'évacuation devra être prolongé de 10 cm au-dessus du climatiseur.

5.2 Exigences d'installation

- Le toit du véhicule devra être capable de supporter le poids du climatiseur.
- L'épaisseur minimale du toit doit être de 25 mm et l'épaisseur maximale de 70 mm.
- Le toit devra être horizontal et lisse.

5.3 Différentes dimensions de découpe

L'installation est possible avec différentes dimensions de découpe.

Installation d'un lanterneau de 400x400 mm :

1. Démontez le lanterneau et utilisez la découpe restante.
2. Enlever les restes de joints et les inégalités.
3. Comblez les trous de vis avec du mastic butyle pour carrosserie souple non durcissant.
4. Le cadre adaptateur pour les découpes 400x400 mm fait partie de la livraison.

Installation d'un lanterneau de 360x360 mm :

1. Démontez le lanterneau et utilisez la découpe restante. Pour ce type de découpe, soit vous avez acheté une unité avec un cadre adaptateur de 360 x 360, soit vous devrez acheter le cadre adaptateur en option. Il peut être utilisé à la place du cadre adaptateur 400 x 400 mm.
2. Enlever les restes de joints et les inégalités.
3. Comblez les trous de vis avec du mastic butyle pour carrosserie souple non durcissant.

Créer une nouvelle découpe :

Vous devrez créer une découpe dans le toit correspondant à la dimension du cadre adaptateur.

Consultez le constructeur du véhicule pour connaître le meilleur emplacement et la meilleure solution pour créer une nouvelle découpe.

5.4 Position de montage

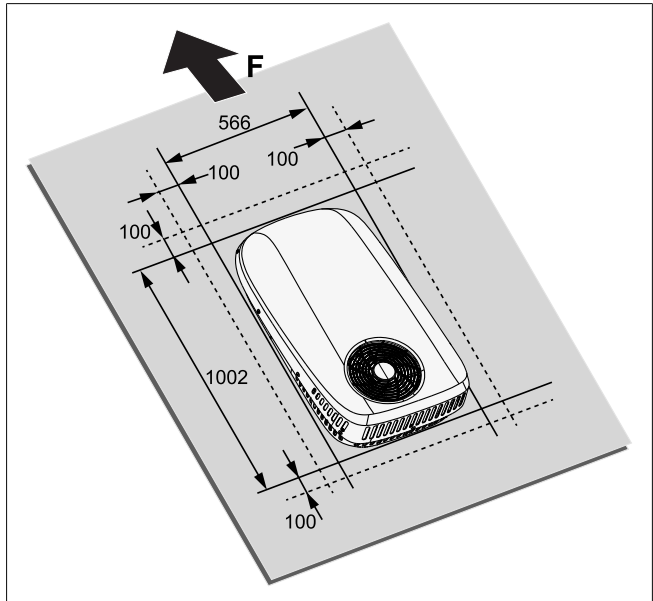


Fig. 5 Sens d'installation de l'unité extérieure

Avant l'installation, il faut considérer la position de montage :

- Assurez-vous que l'emplacement prévu ne pose aucun problème par rapport aux structures et câbles déjà présents.
- Le climatiseur doit être installé aussi près que possible du centre du toit.
- La position de montage de l'unité extérieure doit correspondre avec le sens de déplacement (F) du véhicule.
- Assurez-vous qu'il y a suffisamment de place à l'intérieur du véhicule pour installer le distributeur d'air.
- Choisissez la position de montage du distributeur d'air et assurez-vous que les sorties du distributeur sont à au moins 400 mm de distance des armoires, murs et cloisons qui pourraient renvoyer l'air conditionné vers l'admission d'air de retour. Si une sortie est à moins de 400 mm d'un obstacle, elle doit être bouchée. Si vous ne le faites pas, l'unité se mettra en marche et s'arrêtera fréquemment.
- La découpe doit éviter les joints du toit autant que possible.
- Choisissez une position de montage entre deux sections ou supports longitudinaux, s'il y en a.
- Il faut conserver un dégagement minimal de 100 mm tout autour de l'unité de toit pour assurer un flux d'air correct et un accès pour l'entretien.



AVERTISSEMENT

Si le climatiseur prend la place d'un lanterneau ayant aussi une fonction de ventilation de sécurité, celle-ci devra être réinstallée à un autre emplacement.



REMARQUE

L'angle d'inclinaison du climatiseur ne pourra pas dépasser 5° (8,8 %), et l'arrière du climatiseur ne doit pas se trouver plus haut que l'avant.

Les illustrations suivantes (Fig. 6, Fig. 7 et Fig. 8) représentent l'espace d'installation à l'intérieur requis pour l'unité extérieure et le distributeur d'air et pour les deux options de découpe. Centrez le distributeur d'air sur la découpe.



REMARQUE

Toutes les mesures sont en mm, sauf si précisé autrement.

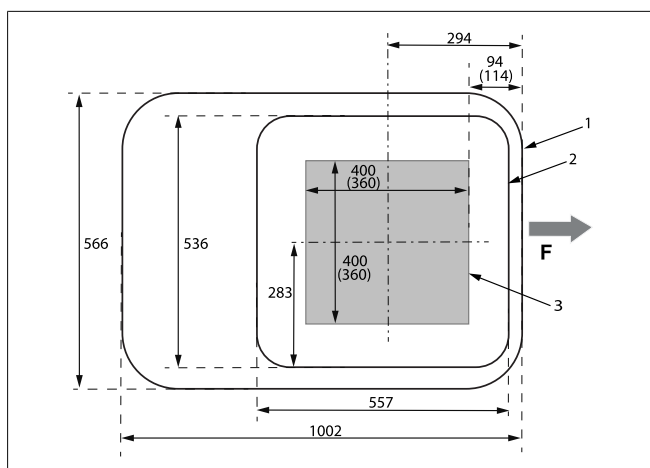


Fig. 6 Mesures pour l'installation (vue du haut/de dessus)

1	Position de l'unité extérieure
2	Position du distributeur d'air
3	Découpe carrée
F	Sens de déplacement

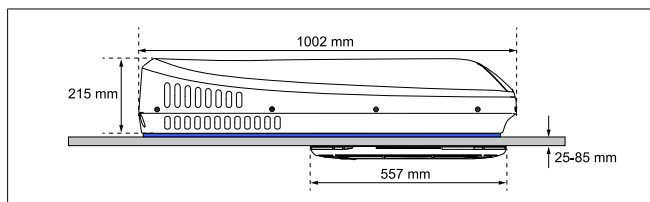


Fig. 7 Mesures pour l'installation (vue de côté)

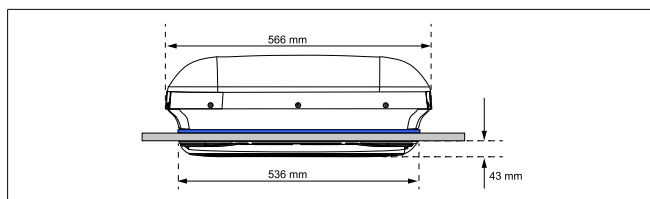


Fig. 8 Mesures pour l'installation (vue frontale)

5.5 Renforts de toit

La découpe doit être renforcée avec un cadre en bois fait de barres en bois d'une largeur d'au moins 20 mm. Il faudra probablement retirer le matériau d'isolation avant.

Ce cadre de renforcement doit empêcher que le toit ne soit écrasé par les boulons d'installation, et que de l'air conditionné ne pénètre pas dans le vide du plafond.

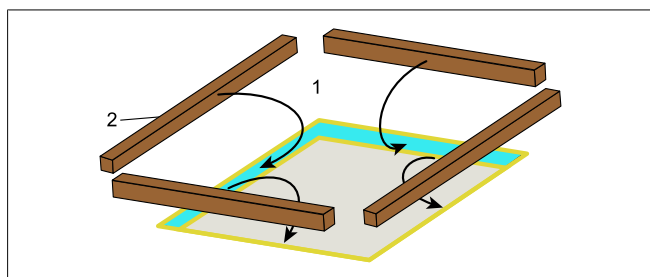


Fig. 9 Renforcement du toit

1	Toit
2	Barres en bois

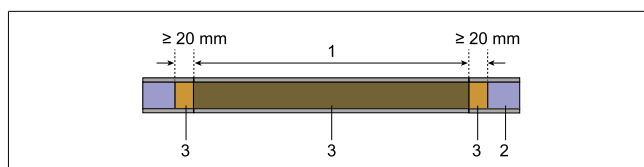


Fig. 10 Découpe avec renforcement en bois

1	Découpe
2	Isolation dans le toit
3	Barres en bois

5.6 Alimentation électrique



AVERTISSEMENT

Danger d'électrocution

Assurez-vous qu'il n'y ait pas de tension au niveau des composants commandés électriquement avant d'entreprendre des travaux sur ces composants. Assurez-vous que l'alimentation secteur ou l'alimentation fournie par les onduleurs est coupée.



REMARQUE

Seul un électricien qualifié (en Allemagne par ex. conformément à la norme VDE 0100, Partie 721 ou CEI 60364-7-721) peut réaliser la connexion électrique 230 V.

Il est de la responsabilité des installateurs de veiller à ce que les réglementations locales en matière de câblage soient respectées pour la connexion à l'alimentation secteur.

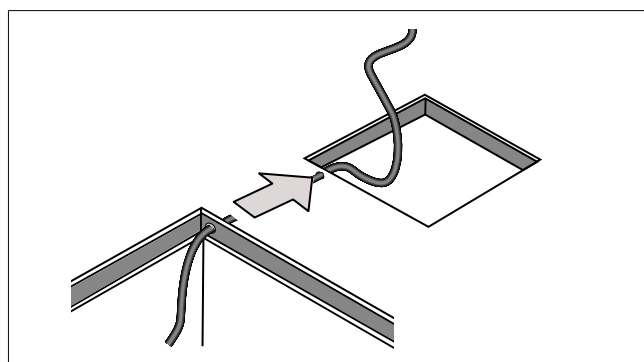


Fig. 11 Câble d'alimentation électrique

1. Assurez-vous que l'alimentation électrique 230 V est raccordée à un disjoncteur à courant résiduel.
2. Installez un coupe-circuit avec un écart de contact d'au moins 3,5 mm et une isolation de tous les pôles pour protéger le câble d'alimentation électrique raccordé au climatiseur et pour permettre les travaux de maintenance et de réparation sur l'appareil.
3. Amenez un câble d'alimentation électrique 230 V~ jusqu'à la découpe.
4. Faites passer si possible le câble à travers l'isolation du toit comme indiqué ci-dessus.
5. Percez un trou dans la barre en bois, là où le câble d'alimentation électrique doit passer.
6. Introduisez le câble d'alimentation électrique dans le trou de la barre en bois avant d'installer la barre.
7. Attachez et posez les câbles de manière à ce qu'on ne puisse pas trébucher dessus ou les endommager.
8. Utilisez des gaines passe-câbles pour guider les câbles dans les murs avec des bords coupants.

9. Respectez les sections de câble minimales correspondant à l'absorption de courant de l'appareil.
10. Ne placez pas les câbles 230 V et les câbles 12/24 V dans la même gaine passe-câbles.
11. Ne placez pas de câbles débranchés ou pliés près d'un matériau conducteur électrique (métal).

5.7 Câble(s) CI-BUS



REMARQUE

Ce chapitre n'est applicable que si l'unité intérieure Cool Top Trail 20 - 24 est équipée d'un Unité CI-BUS et que ce Unité CI-BUS doit être connecté à un système CI-BUS externe.

Suivez les instructions indiquées dans chapitre 5.7.1, "Ensemble câble CI-BUS" à la page 50 pour l'assemblage des câbles CI-BUS.

Utilisez le câble CI-BUS approprié pour connecter le Unité CI-BUS au système CI-BUS.

Si deux climatiseurs d'air Cool Top Trail sont installés, utilisez le câble d'interconnexion CI-BUS pour la connexion du Unités CI-BUS.



AVERTISSEMENT

Danger d'électrocution

Assurez-vous qu'il n'y ait pas de tension au niveau des composants commandés électriquement avant d'entreprendre des travaux sur ces composants. Assurez-vous que l'alimentation secteur ou l'alimentation fournie par les onduleurs est coupée.

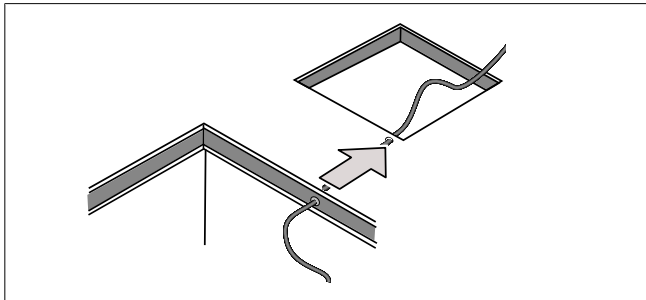


Fig. 12 Câble CI-BUS



REMARQUE

Dysfonctionnement du CI-BUS

Ne placez pas les câbles secteur, les câbles CI-BUS et les câbles 12/24 V dans la même gaine passe-câbles.

1. Faites passer si possible le câble CI-BUS à travers l'isolation du toit comme indiqué ci-dessus.
2. Percez un trou dans la barre en bois, là où le câble CI-BUS doit passer.
3. Introduisez le câble CI-BUS dans le trou de la barre en bois avant d'installer la barre.
4. Attachez et posez les câbles de manière à ce qu'on ne puisse pas trébucher dessus ou les endommager.
5. Utilisez des gaines passe-câbles pour guider les câbles dans les murs avec des bords coupants.
6. Ne placez pas de câbles débranchés ou pliés près d'un matériau conducteur électrique (métal).
7. Introduisez le câble CI-BUS dans la zone intérieure de la caravane, du véhicule ou du camping-car.
8. Introduisez le câble CI-BUS dans le climatiseur Cool Top trail.

9. Si deux climatiseurs d'air Cool Top Trail sont installés, utilisez le câble d'interconnexion CI-BUS entre les deux Unités CI-BUS.

5.7.1 Ensemble câble CI-BUS

Les câbles CI-BUS doivent être assemblés avec les bornes à sertir correspondantes et un boîtier adéquat. Voir chapitre 4, "Connecteurs nécessaires pour le CI-BUS" à la page 47 pour les spécifications. Respectez toujours les consignes du fabricant.

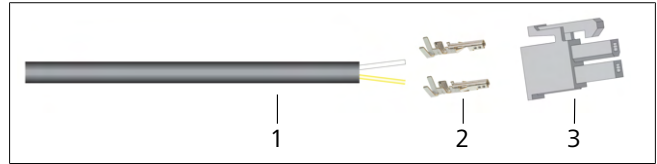


Fig. 13 Ensemble câble CI-BUS

1	Câble
2	Bornes à sertir
3	Boîtier

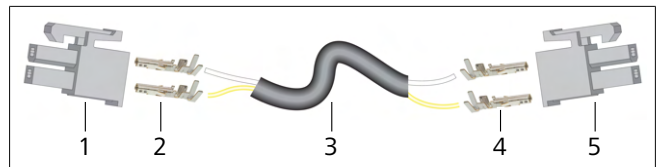


Fig. 14 Ensemble câble d'interconnexion CI-BUS entre deux Unités CI-BUS

1	Boîtier CI-BUS (Unité CI-BUS 1)
2	Bornes à sertir CI-BUS (Unité CI-BUS 1)
3	Câble
4	Bornes à sertir CI-BUS (Unité CI-BUS 2)
5	Boîtier CI-BUS (Unité CI-BUS 2)

5.8 Installation du cadre de l'adaptateur

1. Assurez-vous que le toit soit propre et sec, et exempt d'huile ou de graisse.
2. Insérez le cadre adaptateur dans la découpe pour vérifier qu'il n'interfère pas avec le câble d'alimentation électrique et le câble CI-BUS (le cas échéant). Si le câble fait obstruction, coupez ou percez une ouverture dans le bas du châssis pour faire passer le câble.
3. Orientez le châssis correctement en plaçant l'étiquette « This side up » (vers le haut).

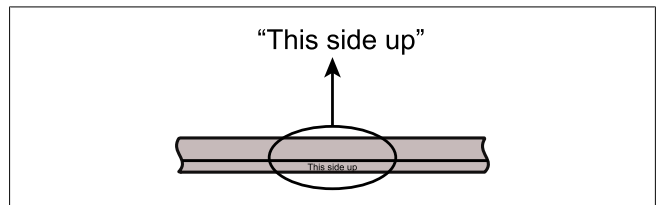


Fig. 15 Orientation du châssis adaptateur

4. Retournez la pièce, et du côté opposé au logo « This side up », appliquez un joint silicone de façon uniforme sur le contour indiqué.

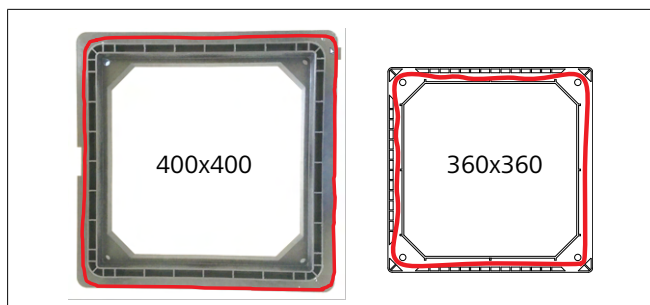


Fig. 16 Cords de joint

5. Retournez à nouveau la pièce et vérifiez que « This side up » soit au-dessus. Appuyez fermement au-dessus de l'ouverture d'installation et éliminez le joint en excédent.

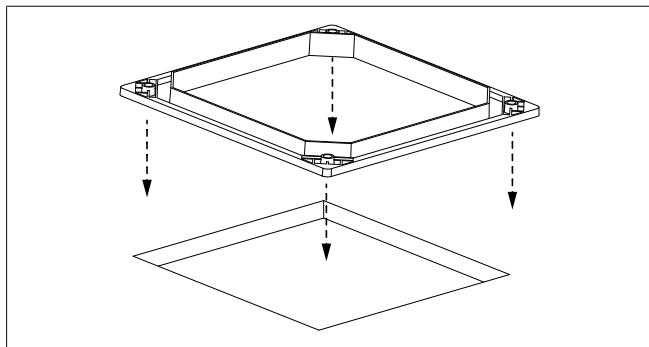


Fig. 17 Réalisation d'un assemblage étanche

5.9 Installation de l'unité extérieure

Placez l'unité extérieure au-dessus du cadre adaptateur installé et ajustez soigneusement la position pour être certain qu'elle soit alignée avec les 4 trous de boulons aux coins du cadre.

REMARQUE

L'unité extérieure est lourde. Faites-vous toujours aider d'une seconde personne pour la porter.

Ne levez pas l'unité extérieure par le couvercle blanc supérieur. Levez-la par la base inférieure.

Vérifiez avec les boulons M8 que les trous de l'unité extérieure sont alignés avec ceux du cadre adaptateur. Si ce n'est pas le cas, repositionnez l'unité extérieure pour que les trous soient alignés.

N'appliquez pas de joint entre l'unité extérieure et le cadre adaptateur.

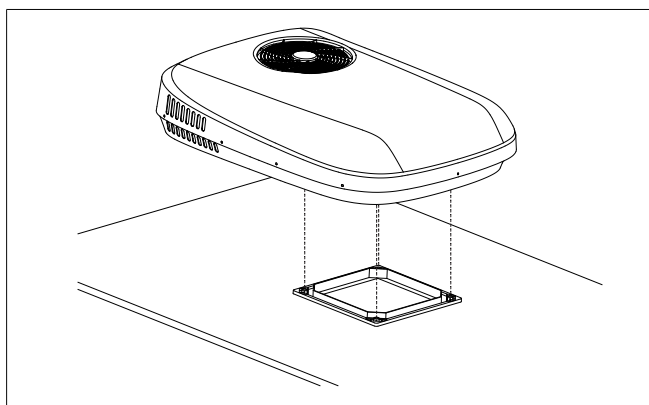


Fig. 18 Positionnement de l'unité extérieure

5.10 Branchement de l'alimentation électrique

1. Depuis l'intérieur du véhicule, regardez vers le haut et localisez les connecteurs à bornes (1).
2. Relâchez les leviers orange.
3. Dénudez les câbles sur une longueur de 10 mm (pour WAGO 222-412).
4. Insérez les câbles d'alimentation électrique dans les connecteurs à bornes 2 pôles. Effectuez les raccordements correspondants aux câbles de phase, de neutre et de terre.
5. Refermez les leviers orange pour vous assurer que le câble d'alimentation est bien rattaché.

REMARQUE

Le mauvais serrage des connexions peut entraîner un risque de court-circuit ou d'incendie.

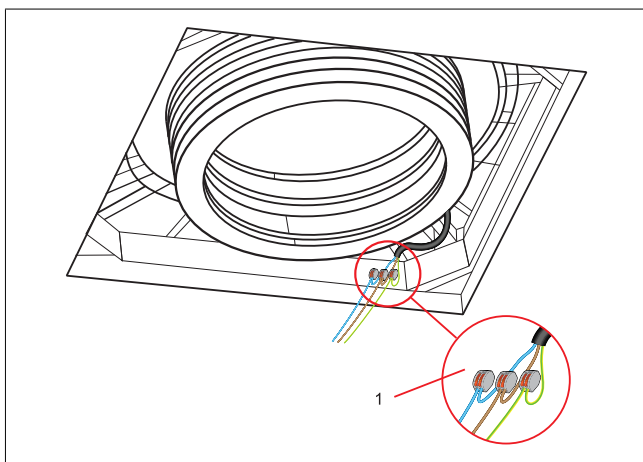


Fig. 19 Emplacement des connecteurs à bornes

5.11 Installation du support de montage du distributeur d'air

1. Préparez les boulons M8 (4), les rondelles (3) et les barres de serrage métalliques (2) dans l'ordre indiqué.
2. Levez le support de montage (1) du distributeur d'air vers le climatiseur.
3. Insérez les boulons M8, les rondelles et les barres de serrage métalliques dans les 4 trous des coins du support de montage du distributeur d'air.
4. Vissez les boulons à la main dans leurs trous correspondants pour être sûr(e) qu'ils soient engagés.
5. Assurez-vous que tous les boulons soient vissés correctement. Appliquez au moins 2 tours de vis pour éviter la déformation des filets.
6. Veillez à ce que les barres de serrage métalliques soient alignées avec l'évidement correspondant dans le support de montage du distributeur à mesure que les boulons sont serrés.
7. Pour finir, serrez de manière identique les 4 boulons à un couple de 7 Nm.

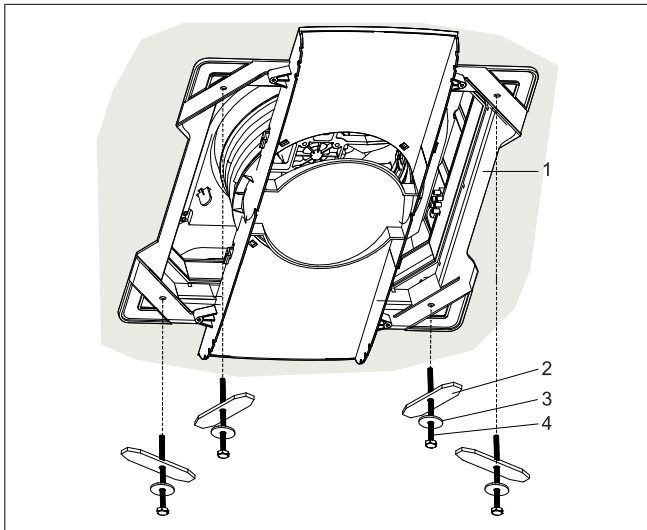


Fig. 20 Installation des boulons

5.12 Raccordement de la gaine d'entrée d'air

1. Prenez l'extrémité libre de la gaine d'admission d'air (2) et tirez-la vers le bas jusqu'à ce qu'elle atteigne le support de montage du distributeur d'air (1).
2. Continuez de tirer le bord de la gaine vers le bas jusqu'à ce que les quatre ergots (3) s'enclenchent sur le support de montage du distributeur.
3. La gaine est correctement raccordée lorsque vous entendez les quatre clics distincts des quatre ergots et que le bord de la gaine (5) est parallèle à la surface du support (4).

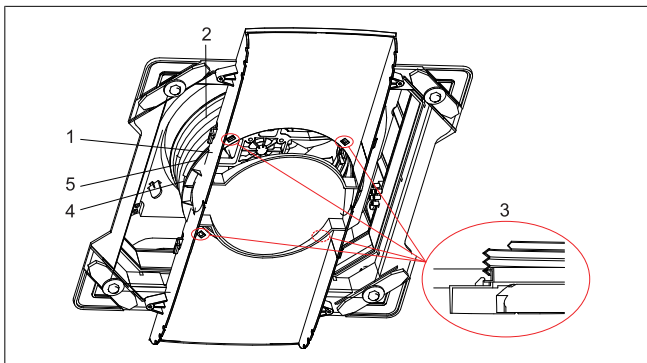


Fig. 21 Raccordement de la gaine d'entrée d'air

5.13 Connexion des câbles des unités extérieure et intérieure

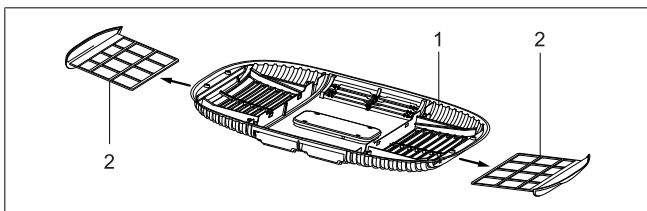


Fig. 22 Démontage du filtre à air

1. Retirez le filtre à air du distributeur d'air en poussant les deux ergots (1) vers l'intérieur (2) puis vers le bas (3).

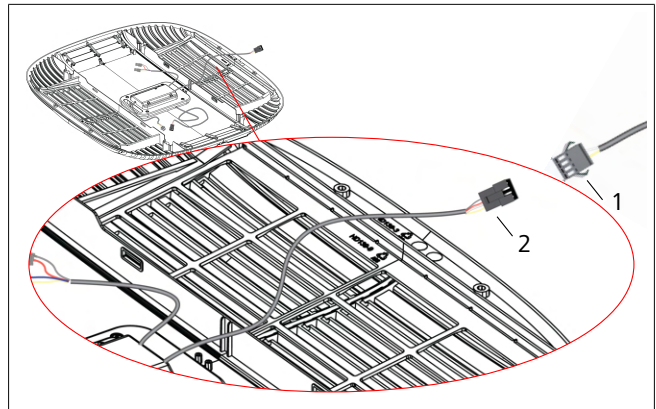


Fig. 23 Connexion du connecteur de l'unité extérieure à l'unité CI-BUS

2. Insérez le connecteur de l'unité extérieure (1) dans le connecteur correspondant (2) du Unité CI-BUS.

5.14 Connexion des câbles CI-BUS

REMARQUE

Ce chapitre n'est applicable que si l'unité intérieure Cool Top Trail 20 - 24 est équipée d'un Unité CI-BUS et que ce Unité CI-BUS doit être connecté à un système CI-BUS externe.

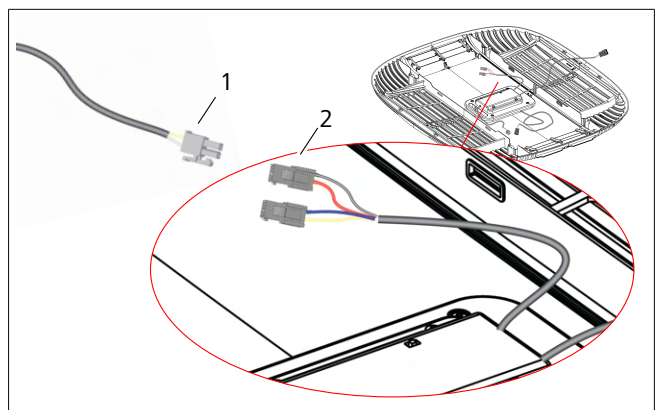


Fig. 24 Connexion du système CI-BUS à l'unité CI-BUS

1. Insérez le connecteur CI-BUS (1) dans le connecteur CI-BUS correspondant (2) du Unité CI-BUS.

REMARQUE

Réglages des commutateurs

Si vous avez deux climatiseurs d'air Cool Top Trail, les deux avec un Unité CI-BUS installé, vous devez régler le commutateur ID de chaque Unité CI-BUS différemment.

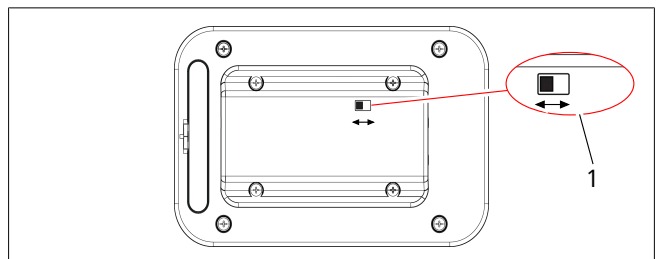


Fig. 25 Vue supérieure du Unité CI-BUS

2. Réglez le commutateur ID (1) en position gauche pour l'un des Unité CI-BUS et en position droite pour l'autre Unité CI-BUS.

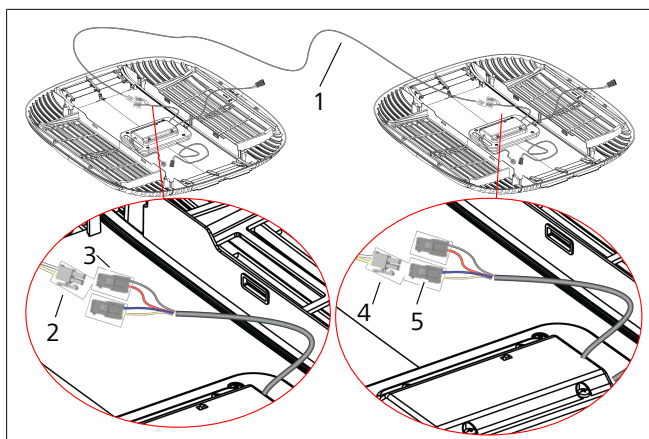


Fig. 26 Connexion de deux Unités CI-BUS

3. Si deux climatiseurs d'air Cool Top Trail sont installés, utilisez le câble d'interconnexion (1).
4. Insérez le connecteur (2) du câble dans le connecteur CI-BUS correspondant (3) du premier Unité CI-BUS.
5. Insérez l'autre connecteur (4) du câble dans le connecteur CI-BUS auxiliaire (5) du second Unité CI-BUS.

5.15 Installation du dispositif de distribution d'air

1. Fixez le distributeur d'air (1) sur son support de montage (3) en enclenchant les deux parties.
 - Vous entendrez les 4 clics des ergots (2) lorsque le distributeur d'air (1) et le support de montage (3) se verrouillent.

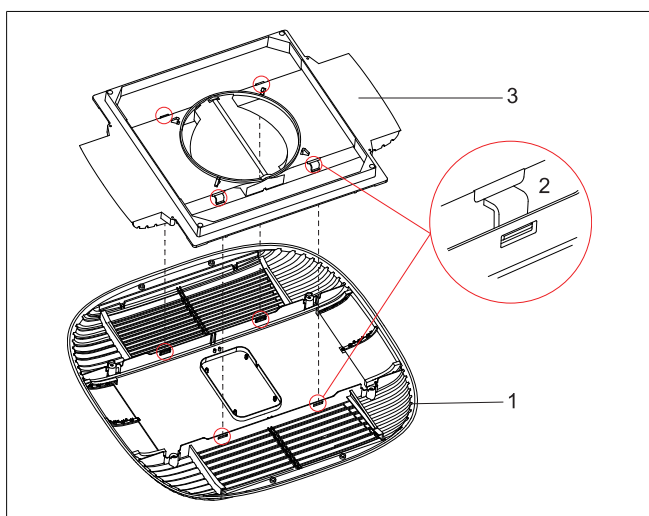


Fig. 27 Fixation du distributeur d'air sur le support de montage

2. Fixez le distributeur d'air (1) sur son support de montage à l'aide de quatre vis à tête cylindrique ST4,2*19 (2).

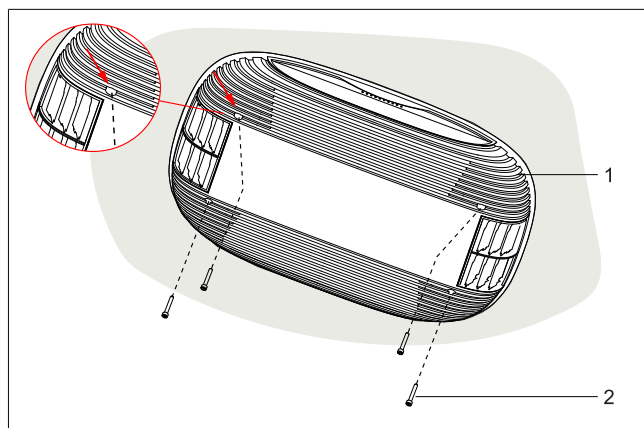


Fig. 28 Fixation du distributeur d'air sur le support de montage

- L'étape suivante est optionnelle. La fonction de cette étape est uniquement de combler un écart éventuel entre le distributeur d'air et le plafond du véhicule en utilisant 4 vis à tête fraisée.
- Pour installer ces vis :

3. Fixez le distributeur d'air (1) au plafond en utilisant 4 vis à tête fraisée (2).

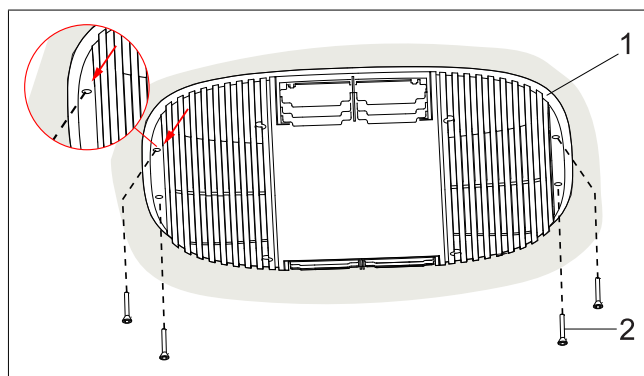


Fig. 29 Fixation du distributeur d'air au plafond

4. Installez les filtres à air (2) comme illustré ci-dessous :

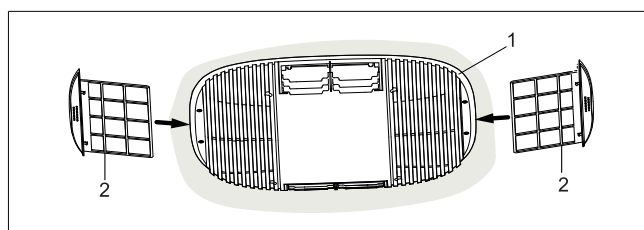


Fig. 30 Installation des filtres à air

5.16 Installation du support de télécommande

1. Installez le support (1) de la télécommande à un emplacement pratique.
2. Utilisez les 2 vis à tête fraisée (2) pour sa fixation.

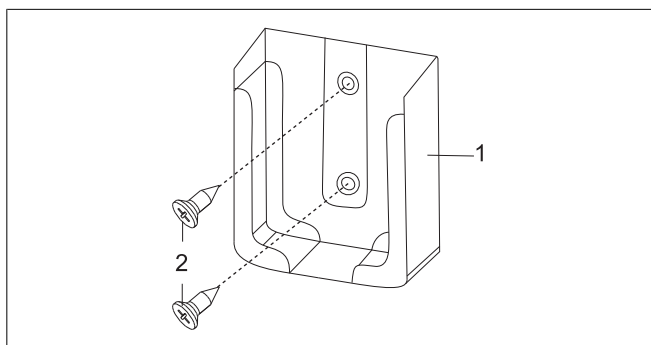


Fig. 31 Support de télécommande

5.17 Test du système

- Testez toutes les fonctions du climatiseur comme expliqué au chapitre 6, "Notice d'utilisation" à la page 55.
- Vérifiez que les sorties de condensat soient dégagées après l'installation de l'unité extérieure.
- Inscrivez la nouvelle hauteur et le nouveau poids du véhicule dans les documents si nécessaire.
- Donnez ce document au prochain propriétaire du véhicule.

6 Notice d'utilisation

6.1 Avant utilisation



REMARQUE

Avant de le mettre en marche, assurez-vous que la tension et la fréquence d'alimentation correspondent aux valeurs du climatiseur.



REMARQUE

Vérifiez que l'intensité fournie par l'alimentation électrique externe est suffisante.



REMARQUE

Pour éviter la surchauffe de la rallonge d'alimentation électrique reliée au véhicule et de perdre de la tension, déroulez le câble complètement.



REMARQUE

La rallonge de câble doit avoir une section d'au moins 3 x 2,5 mm².



REMARQUE

Assurez-vous que les grilles d'admission et de sortie d'air ne soient pas couvertes par des chiffons, du papier ou d'autres objets.



REMARQUE

Insérez deux (2) piles AAA LR3 qui ne fuient pas dans la télécommande en retirant le couvercle à l'arrière. Replacerez ensuite le couvercle à l'arrière.



REMARQUE

Lorsque vous utilisez la télécommande, pointez-la vers le distributeur d'air pour garantir une bonne transmission du signal. Le distributeur d'air bippe dès qu'il reçoit un signal.



REMARQUE

Les symboles sur l'affichage de la télécommande sont visibles selon les réglages.



REMARQUE

Après la sélection du mode **COOL** (FROID) ou **HEAT** (CHAUFFAGE), le compresseur a une temporisation de démarrage de 3 minutes. Cette fonction sert à protéger le compresseur.



REMARQUE

Pour régler l'horloge système consultez le chapitre 6.10, "Réglage de l'horloge système" à la page 58.

6.2 Pour un chauffage ou un refroidissement efficaces

Les mesures générales suivantes sont très efficaces pour réduire la charge thermique dans le véhicule et améliorer les performances du climatiseur :

- Garez le véhicule à l'ombre si possible.
- Positionnez le véhicule avec le pare-soleil du côté ensoleillé. Cela réduira l'exposition à la lumière directe du soleil.
- Fermez toutes les portes, baies et vitres, tirez les rideaux et déployez le pare-soleil ou la marquise.
- Coupez les appareils électriques non nécessaires dans le véhicule. Cela réduira encore plus la charge thermique.
- Cuisinez en dehors du véhicule si possible.
- En cas de température exceptionnellement élevée, allumez le climatiseur à l'avance pendant la matinée.

- Si l'intérieur du véhicule a chauffé, aérez le véhicule en ouvrant les portes et les vitres **avant** de mettre le climatiseur en marche.
- Nettoyez régulièrement le toit du véhicule car les toits sales chauffent plus.

De nombreux facteurs affectent la charge thermique totale dans le véhicule, et beaucoup de facteurs peuvent affecter l'efficacité de fonctionnement du climatiseur. Il peut être judicieux de consulter le fabricant de votre véhicule pour être pleinement informé sur sa charge thermique totale.

6.3 Traitement de la condensation

Lorsque l'air chaud et humide dans le véhicule vient au contact d'une surface froide, de la condensation peut se former. C'est ce que l'on appelle aussi la « buée ». Pour traiter ce problème :

- Fermez et jointoyez toutes les portes, baies et vitres. Cela réduira l'entrée d'air chaud humide.
- Faites tourner le ventilateur intérieur sur la vitesse **High** (Élevée), évitez les vitesses **Low** (Basse) et **Auto** (Automatique).

Pendant le fonctionnement du climatiseur, de la condensation apparaîtra qui pourra être évacuée sur le toit. Ceci est normal. La quantité de condensation est déterminée par l'humidité de l'air. Une humidité élevée à l'intérieur du véhicule produira plus de condensation.



REMARQUE

Les pertes et les dégâts dus à l'eau condensée ne sont pas couverts par la garantie.

6.4 Choix et usage d'un générateur ou onduleur

Le CTT 20 - 24 requiert une source d'alimentation électrique secteur CA de qualité pour un fonctionnement correct. Si vous décidez d'utiliser un générateur de courant ou un onduleur, vous devez consulter le fournisseur du générateur / de l'onduleur pour confirmer la compatibilité et la taille du générateur / de l'onduleur pour votre application.



REMARQUE

Les dommages ou pertes causés par l'utilisation d'un générateur ou d'un onduleur ne sont pas couverts par la garantie.

6.5 Utilisation de la télécommande

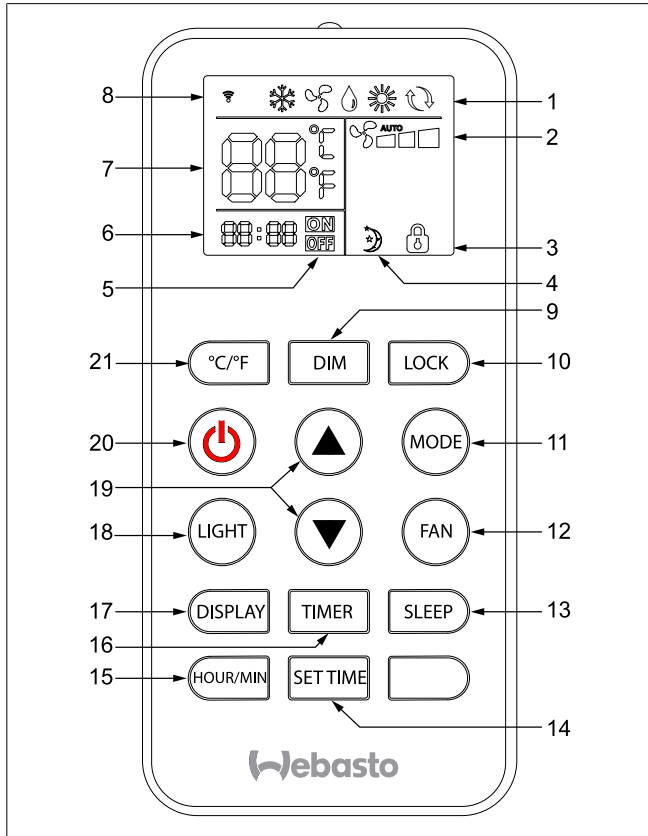


Fig. 32 Présentation de la télécommande

Icônes affichées	Information
1	Affichage de mode COOL / FAN / DRY / HEAT / AUTO (refroidissement / ventilateur / déshumidification / chauffage / auto)
2	Affichage de la vitesse de ventilation Low / Medium / High / Auto (basse / médium / élevée / automatique)
3	Affichage de la fonction de verrouillage
4	Affichage de la fonction Sleep
5	Indicateur minuterie ON/OFF
6	Affichage horloge / minuterie Horloge temps réel, temps de la minuterie durant la configuration.
7	Affichage de la température Affichage de la température de consigne ou de la température de cabine. Unités en °C ou °F.
8	Transmission de données Les symboles s'affichent brièvement lorsque la télécommande transmet des données au climatiseur.

Boutons de commande	Fonction
9	DIM* Sélectionne la luminosité des LED : 25 %, 50 %, 75 %, 100 %
10	LOCK (verrouillage) Désactive la commande tactile sur le distributeur d'air lorsque l'unité est sous tension. Pressez à nouveau la touche pour déverrouiller.
11	MODE Sélectionne le mode de fonctionnement COOL/ DRY/FAN/HEAT/AUTO (refroidissement, déshumidification, ventilateur, chauffage, auto).

Boutons de commande	Fonction
12	FAN Sélectionne la vitesse du ventilateur (Low/Medium/High ou AUTO). La vitesse AUTO n'est possible qu'en mode REFROIDISSEMENT/ CHAUFFAGE. En vitesse AUTO, le ventilateur se règle automatiquement en mode Low, Medium ou High.
13	SLEEP Sélectionne le mode sommeil. Disponible uniquement en mode REFROIDISSEMENT ou CHAUFFAGE.
14	SET TIME Pour passer en mode CLOCK/TIMER (Horloge/Minuterie).
15	HOURL/MIN Bascule entre les réglages de l'heure ou des minutes.
16	TIMER Active différents réglages de la minuterie.
17	DISPLAY Allume/éteint l'affichage au niveau du distributeur d'air.
18	LIGHT* Allume/éteint les LED au niveau du distributeur d'air.
19	Up/Down Pour régler la température de consigne, l'horloge ou la minuterie.
20	Marche/Arrêt Allume et arrête le système frigorifique.
21	°C / °F Sélectionne l'unité de la température affichée, Celsius ou Fahrenheit.

* Applicable uniquement avec les unités avec LED.

6.6 Mise en marche/à l'arrêt de l'unité

Appuyez sur le bouton de la télécommande pour allumer l'unité.

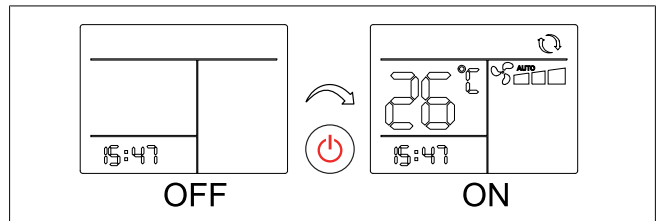


Fig. 33 Mise en marche de l'unité

- L'appareil s'allume et l'affichage du distributeur d'air indique la température de consigne et le mode de fonctionnement.
- L'affichage de la télécommande indique la température, le mode de fonctionnement et la vitesse du ventilateur.
- Les derniers réglages sont récupérés.
- Le ventilateur intérieur peut commencer à fonctionner immédiatement si l'unité est en mode ventilateur ou refroidissement. En mode chauffage, il y aura un délai pendant que le circuit intérieur se réchauffe et avant que le ventilateur intérieur ne s'allume pour éviter un courant d'air froid.
- Il peut falloir jusqu'à 3 min. pour que le compresseur se mette en marche. Cette fonction sert à protéger le compresseur.

Pour arrêter l'unité, pressez à nouveau sur le bouton .

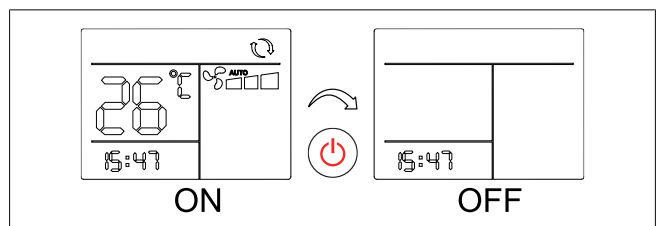
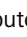
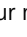



Fig. 34 Arrêt de l'unité

- L'unité s'arrête, l'affichage du distributeur d'air s'éteint.

- L'affichage de la télécommande n'affiche que l'heure. Sinon, il est possible de démarrer et d'arrêter le climatiseur en poussant la touche tactile  sur le distributeur d'air (voir chapitre chapitre 6.16, "Fonctionnement du distributeur d'air sans télécommande" à la page 60 pour plus de détails).

6.7 Réglage de la température

Utilisez les touches  /  pour modifier la température de consigne.

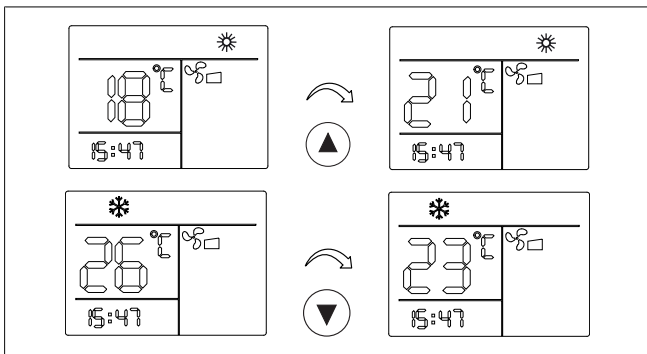
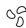


Fig. 35 Réglage de la température

- L'affichage de la télécommande et celui du distributeur d'air indiqueront la température de consigne.
- Le climatiseur confirmera la réception de chaque changement de valeur réglée par un bip.
- Vous pouvez régler la température entre 16 et 30°C pendant que l'unité est en marche.
- Mais elle ne peut pas l'être en mode FAN .

6.8 Réglage de la vitesse du ventilateur

Utilisez la touche FAN pour régler la vitesse du ventilateur.

- La vitesse du ventilateur influencera directement le débit d'air.
- Chaque pression sur la touche FAN modifie la vitesse du ventilateur dans la séquence indiquée ci-dessous.

AUTO indique que le mode Automatic FAN est sélectionné. Dans ce mode, la vitesse du ventilateur s'adapte automatiquement. Le mode Automatic FAN n'est disponible qu'en mode de fonctionnement REFROIDISSEMENT ou CHAUFFAGE.

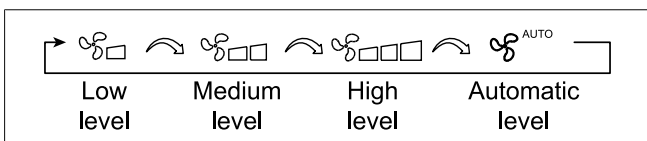


Fig. 36 Réglage de la vitesse du ventilateur

6.9 Réglage du mode de fonctionnement

Pressez la touche MODE de la télécommande pour changer le mode de fonctionnement. La télécommande affiche les symboles sélectionnés.

- Chaque pression sur la touche MODE modifie le mode dans la séquence indiquée ci-dessous.



Fig. 37 Réglage du mode de fonctionnement

Mode REFROIDISSEMENT ❄️

- En mode REFROIDISSEMENT (COOL), le distributeur d'air affiche le symbole ❄️ et le véhicule est refroidi.
- La température de consigne et la vitesse du ventilateur peuvent être sélectionnées manuellement.

- Le compresseur s'arrête dès que la température de consigne est atteinte, et se remet en marche automatiquement lorsque la température ambiante de consigne est dépassée.

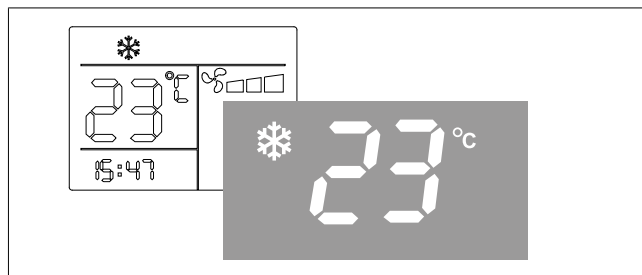


Fig. 38 Mode REFROIDISSEMENT

Mode DESHUMIDIFICATION 💧

- En mode DESHUMIDIFICATION (DRY), l'unité réduit l'humidité à l'intérieur du véhicule.
- Réglez la température 1°C plus bas que la température ambiante actuelle.
- Le distributeur d'air affiche le symbole ❄️.

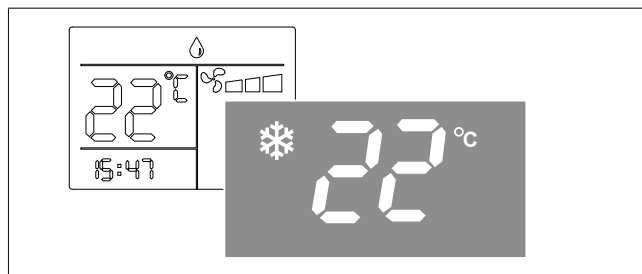


Fig. 39 Mode DESHUMIDIFICATION

Mode VENTILATEUR 🌀

- En mode FAN (VENTILATEUR), l'air intérieur est ventilé à travers le véhicule sans le chauffer ou le refroidir.
- La vitesse du ventilateur peut être sélectionnée manuellement.
- Le distributeur d'air affiche le symbole 🌀 ainsi que la température ambiante actuelle.

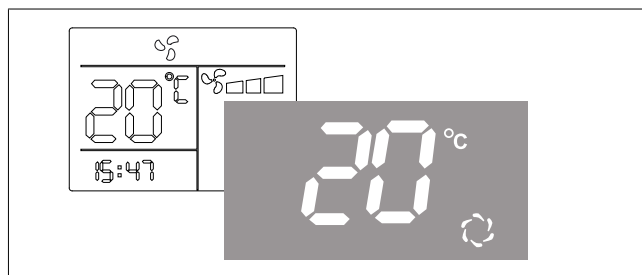


Fig. 40 Mode VENTILATEUR

Mode CHAUFFAGE ☀

- En mode HEAT (CHAUFFAGE), le distributeur d'air affiche le symbole ☀ et le véhicule est chauffé.
- La température et la vitesse du ventilateur peuvent être sélectionnées manuellement.
- Le compresseur s'arrête dès que la température de consigne est atteinte, et se remet en marche automatiquement lorsque la température ambiante descend sous la valeur réglée.

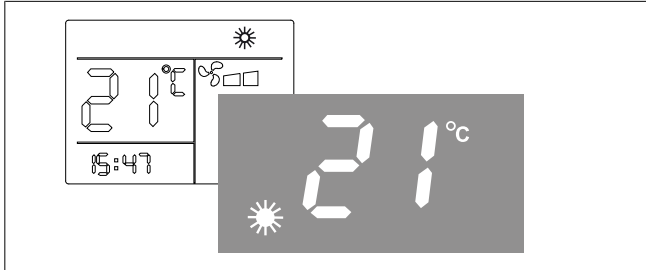


Fig. 41 Mode CHAUFFAGE

REMARQUE

Lorsque l'unité fonctionne en mode CHAUFFAGE avec des températures ambiantes basses, l'unité dégivre périodiquement l'échangeur de chaleur extérieur. Le distributeur d'air affichera « dF » pendant le dégivrage puis revient en mode CHAUFFAGE dès que le dégivrage est terminé.

Mode AUTOMATIQUE ↻

- En mode AUTO, l'unité sélectionne automatiquement le mode CHAUFFAGE ou REFROIDISSEMENT en fonction de la différence entre la température ambiante actuelle et la température de consigne.
- La température réglée et la vitesse du ventilateur peuvent être sélectionnées manuellement.
- Le distributeur d'air affiche le symbole ☀ en mode CHAUFFAGE et le symbole ❄ en mode REFROIDISSEMENT ainsi que la température de consigne.

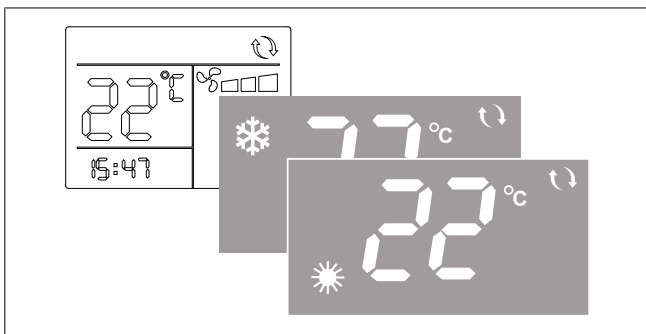


Fig. 42 Mode AUTOMATIQUE

6.10 Réglage de l'horloge système

1. Appuyez sur la touche « SET TIME ». Les chiffres de l'**heure** clignotent.
2. Appuyez sur la touche ▲ / ▼ pour régler l'heure.
3. Appuyez sur la touche « HOUR / MIN ». Les chiffres des **minutes** clignotent.
4. Appuyez sur la touche ▲ / ▼ pour régler les minutes.
5. Appuyez sur la touche « SET TIME » 3 fois pour sortir du mode de réglage. ou attendez 10 secondes jusqu'à ce que les chiffres arrêtent de clignoter.

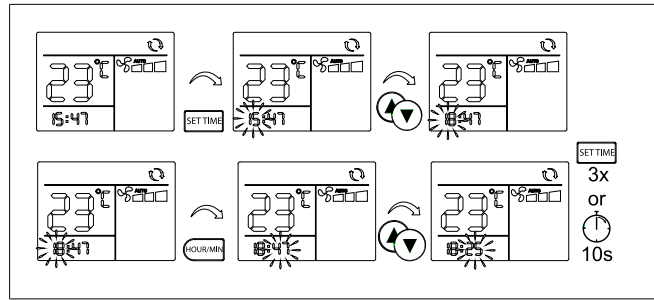


Fig. 43 Réglage de l'horloge système

6.11 Réglage de la minuterie

La minuterie peut être réglée pour mettre en marche et arrêter l'unité à une heure pré-programmée. Ces temps de démarrage et d'arrêt doivent être réglés lors d'une première étape.

1. Appuyez sur la touche SET TIME deux fois jusqu'à ce que le côté supérieur droit de l'horloge affiche ON et que les chiffres de l'**heure** clignotent.
2. Pressez la touche ▲ / ▼ pour régler l'**heure** à laquelle l'unité doit se mettre en marche.
3. Appuyez sur la touche HOUR/MIN puis sur ▲ / ▼ pour régler les **minutes**.
4. Appuyez à nouveau sur la touche SET TIME jusqu'à ce que le côté inférieur droit de l'horloge affiche OFF et que les chiffres de l'**heure** clignotent.
5. Pressez la touche ▲ / ▼ pour régler l'**heure** à laquelle l'unité doit s'arrêter.
6. Appuyez sur la touche HOUR/MIN puis sur ▲ / ▼ pour régler les **minutes**.
7. Appuyez de nouveau sur la touche « SET TIME » pour sortir du mode de réglage. L'heure de l'horloge s'affiche. Sinon, attendez 10 secondes jusqu'à ce que les chiffres arrêtent de clignoter.

REMARQUE

Les heures de marche et d'arrêt sur la minuterie sont réglées mais doivent encore être activées séparément. Voir chapitre 6.12, "Activer la minuterie" à la page 59.

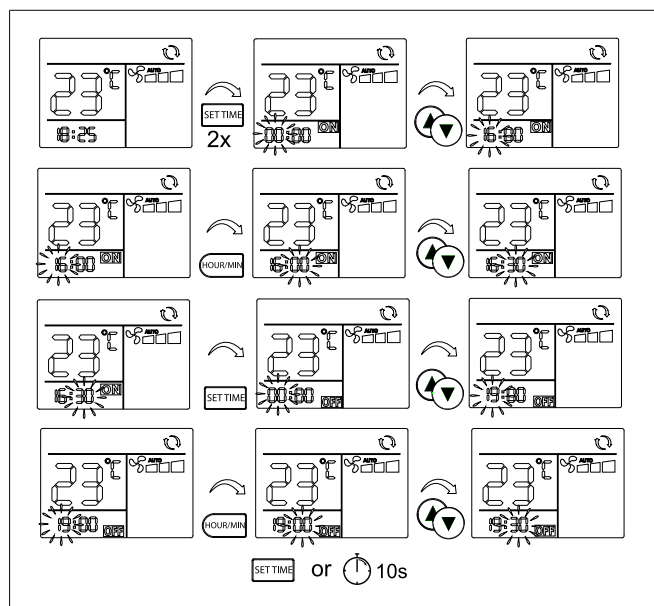


Fig. 44 Réglage de la minuterie

6.12 Activer la minuterie

Avant d'activer la minuterie, sélectionnez le mode de fonctionnement, la température de consigne et la vitesse souhaitée du ventilateur.

Une fois que les heures de marche et d'arrêt ont été réglées (voir chapitre chapitre 6.11, "Réglage de la minuterie" à la page 58), l'un des trois modes TIMER différents peut être activé :

- Mode TIMER ON (Minuterie activée)
Dans ce mode, l'unité se met en marche à l'heure de mise en marche souhaitée et ne s'arrête pas.
- Mode TIMER OFF (Minuterie désactivée)
Dans ce mode, l'unité s'arrête à l'heure d'arrêt souhaitée et reste arrêtée.
- Mode TIMER ON/OFF (Minuterie Marche/Arrêt)
Dans ce mode, l'unité se met en marche à l'heure de mise en marche souhaitée et s'arrête à l'heure d'arrêt souhaitée. Cette procédure se répètera chaque jour.

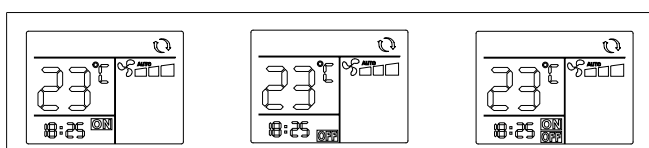


Fig. 45 Modes de la MINUTERIE

1. Pressez la touche TIMER plusieurs fois jusqu'à ce que soit ON, soit OFF, soit les deux symboles clignotent en fonction du mode de minuterie choisi.
2. Pour confirmer la sélection, attendez 10 secondes jusqu'à ce que le symbole s'arrête de clignoter et reste allumé en continu. L'heure de l'horloge s'affiche à nouveau.

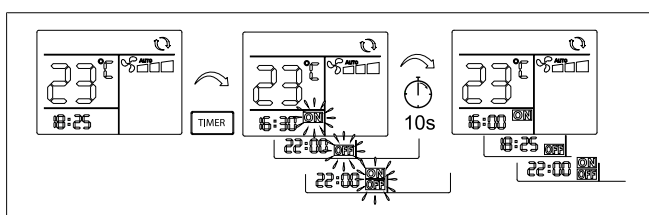


Fig. 46 Activer la minuterie




REMARQUE

Si l'horloge est affichée sans icône ON/OFF, c'est que vous n'avez pas activé la minuterie.

6.13 Réglage de la fonction Sleep

La fonction Sleep modifie automatiquement la valeur de consigne de température afin de fournir une température plaisante pour dormir. Elle aide aussi à réduire la durée de fonctionnement du compresseur et ainsi la consommation d'énergie et les niveaux de bruit.

1. Pressez la touche SLEEP pour activer la fonction Sleep.
 - Le symbole  sur l'affichage de la télécommande apparaît pour indiquer que la fonction Sleep est activée.
 - En mode REFROIDISSEMENT, la température réglée augmente automatiquement en deux étapes et de 2°C au bout de deux heures.
 - En mode CHAUFFAGE, la température réglée diminue automatiquement en trois étapes et de 3°C au bout de deux heures.
 - La fonction Sleep n'est disponible qu'en mode REFROIDISSEMENT ou CHAUFFAGE.
2. Pressez à nouveau la touche SLEEP pour désactiver la fonction Sleep.

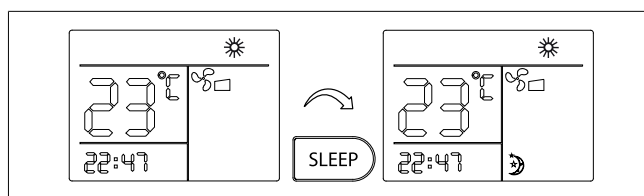


Fig. 47 Réglage de la fonction Sleep

6.14 Changement de l'unité de température

Pressez la touche °C/°F pour sélectionner l'unité de température de la température affichée : Celsius ou Fahrenheit.

- Vous pouvez le faire dans n'importe quel mode.
- L'affichage sur le distributeur d'air suit la sélection effectuée sur la télécommande.

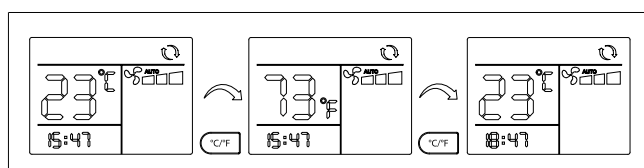


Fig. 48 Sélection Celsius / Fahrenheit

6.15 Réinitialisation de la télécommande

Pour réinitialiser la télécommande aux réglages d'usine :

1. Retirez les piles et remettez-les. Voir également chapitre 7.2, "Piles de la télécommande" à la page 60.
2. Réglez à nouveau l'horloge. Voir chapitre 6.10, "Réglage de l'horloge système" à la page 58.
3. Activez à nouveau la minuterie, si elle doit être utilisée. Voir chapitre 6.12, "Activer la minuterie" à la page 59.

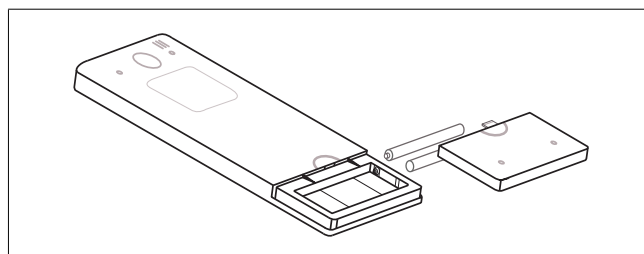



Fig. 49 Réinitialisation de la télécommande

6.16 Fonctionnement du distributeur d'air sans télécommande

Vous pouvez commander les fonctions basiques du climatiseur grâce à la touche tactile de l'affichage du distributeur d'air. Ce peut être utile si vous ne trouvez pas tout de suite la télécommande ou si celle-ci est déchargée.

1. Pressez la touche  sur l'écran du distributeur d'air. A chaque pression vous passez d'un mode à l'autre : OFF, COOL, FAN, HEAT.

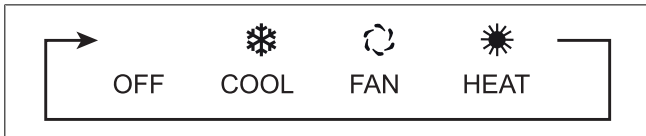


Fig. 50 Réglage du mode de fonctionnement

- En modes Refroidissement et Chauffage, la température de consigne est automatiquement réglée à 24°C et la vitesse du ventilateur est réglée sur HIGH.
2. Utilisez la télécommande pour sélectionner une autre température ou une autre vitesse pour le ventilateur.
 3. Sur le distributeur d'air, vous ne pouvez pas sélectionner le mode « AUTO », mais l'affichage indique « auto mode » dans le coin supérieur droit, une fois sélectionné sur la télécommande.

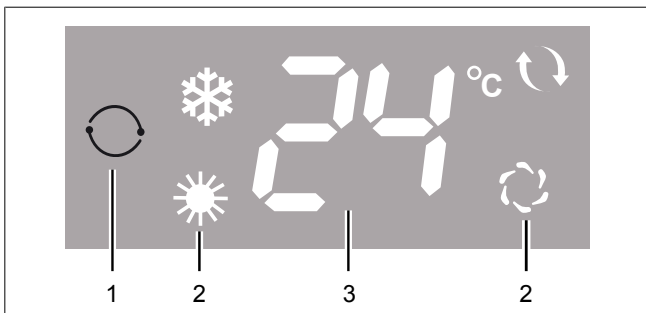


Fig. 51 Affichage sur le distributeur d'air

1	Touche tactile
2	Symboles de modes de fonctionnement
3	Affichage de la température

6.17 Réglage des sorties d'air

Régalez la direction et l'angle de la sortie d'air en faisant tourner une lame sur son axe. Les trois lames pivotent ensemble.



Fig. 52 Réglage des sorties d'air

7 Entretien

7.1 Filtre à air

Le filtre d'air de retour nécessite un entretien périodique.

- Contrôlez et nettoyez les filtres chaque semaine lorsque l'appareil est utilisé, pour éviter que les saletés ne les bouchent.
- Les filtres doivent être lavés régulièrement pour garantir un refroidissement ou un chauffage efficaces.

1. Sortez les filtres à air (1) du distributeur d'air (2).
2. Nettoyez les filtres avec de l'eau chaude et du détergent.
3. Laissez-les sécher avant de les réinstaller.

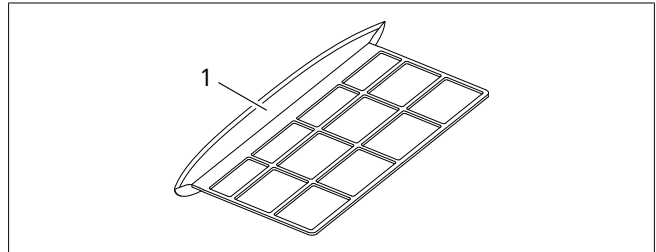


Fig. 53 Filtre à air

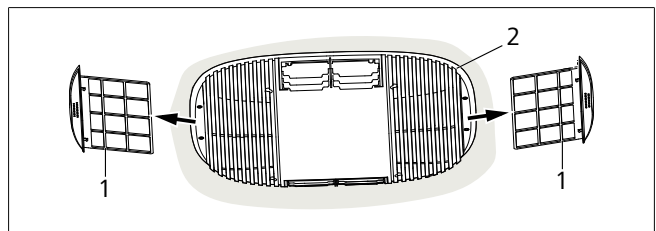


Fig. 54 Démontage des filtres à air

REMARQUE

Des filtres de rechange peuvent être commandés séparément.

Ne faites jamais fonctionner le climatiseur sans filtre. Cela pourrait causer l'encrassement de l'échangeur de chaleur et entraîner une perte de puissance.

7.2 Piles de la télécommande

- Remplacez les piles de la télécommande (2 type AAA) lorsque l'affichage de l'appareil devient illisible et/ou flou.
- Si l'appareil n'est pas utilisé pendant une période prolongée, il est conseillé de retirer les piles de la télécommande afin d'éviter les fuites qui pourraient endommager cette dernière.

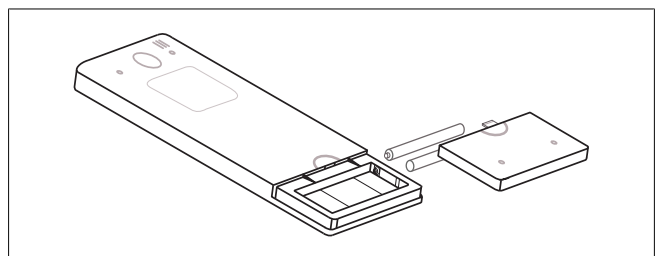


Fig. 55 Piles de la télécommande

Voir également : chapitre 6.15, "Réinitialisation de la télécommande" à la page 59.



Toutes les piles et dispositifs électroniques satisfont aux Directives européennes 2006/66 / CE, 2002/96 / CE et ultérieures, et ne doivent pas être éliminés avec les ordures ménagères. Rendez-vous aussi sur : <https://eur-lex.europa.eu/advanced-search-form.html>.

Tout client a l'obligation légale d'éliminer les piles et équipements électroniques uniquement dans les bennes de recyclage marquées d'un centre de collecte des déchets. Leur retour est gratuit.

Voir également : chapitre 9, "Élimination" à la page 62.

7.3 Contrôle des boulons

Il est recommandé de vérifier si les quatre boulons qui fixent l'appareil sur le toit sont bien serrés 3 mois après l'installation de l'appareil.

Inspectez ces boulons régulièrement, au moins tous les 12 mois. Resserrez à 7 Nm si nécessaire.

7.4 Utilisation normale

Webasto recommande de faire fonctionner régulièrement le climatiseur pour assurer de bonnes prestations. Faites fonctionner l'unité au minimum pendant 20-30 min. tous les 6 mois.

7.5 Nettoyage

Retirez régulièrement les feuilles ou autres saletés des grilles de ventilation de l'unité extérieure.

- Nettoyez régulièrement l'unité à l'aide d'un chiffon doux et humide et de détergent doux.
- Nettoyez le toit du véhicule à intervalles réguliers. Un toit sale chauffe plus qu'un toit propre.





PRUDENCE

- ▶ Ne passez jamais dans un lavauto automatique avec un climatiseur de toit installé.
- ▶ Ne nettoyez pas l'intérieur des ouvertures de l'unité avec un nettoyeur haute pression.
- ▶ N'utilisez pas de nettoyeurs à eau chaude ou à vapeur.
- ▶ N'utilisez pas d'objets durs ou tranchants pour le nettoyage.
- ▶ N'utilisez jamais d'essence, de gas-oil, de solvants ni d'agents nettoyants agressifs.

7.6 Échangeurs de chaleur

Une fois par an, faites nettoyer les échangeurs de chaleur de l'unité par un atelier spécialisé.

8 Dépannage

Symptômes	Action
Pas d'affichage du distributeur d'air lorsque l'unité est allumée.	Contrôles à effectuer : <ul style="list-style-type: none"> ● Le courant arrive au véhicule et les coupe-circuits sont activés. ● Les piles de la télécommande sont en bon état. ● La télécommande est éteinte. ● La tension est trop faible. ● L'ampérage du coupe-circuit de l'alimentation électrique externe est trop faible.
Refroidissement non disponible.	Vérifiez que le mode de refroidissement soit sélectionné et que l'écran du distributeur d'air affiche :  <p>Utilisez la télécommande pour régler la température requise en dessous de la température ambiante actuelle.</p> <p>Le compresseur ne redémarre qu'après une temporisation de 3 minutes.</p>
Chauffage non disponible	Vérifiez que le mode de chauffage soit sélectionné et que l'écran du distributeur d'air affiche :  <p>Utilisez la télécommande pour régler la température requise au dessus de la température ambiante actuelle.</p> <p>Lorsqu'il fait très froid, le chauffage a besoin de plus de temps pour démarrer.</p> <p>Lorsque l'unité est en mode Chauffage et que la température extérieure est très basse, l'unité peut automatiquement passer en mode Dégivrage. Le chauffage s'arrêtera momentanément pendant que l'unité réchauffe l'échangeur de chaleur extérieur pour éliminer le givre et la glace. Le chauffage reprend une fois l'échangeur de chaleur extérieur dégagé. Pendant le dégivrage, l'unité affiche « dF ».</p>
Mauvaise efficacité de refroidissement.	Veillez à ce que le filtre soit propre. Mettez le ventilateur sur haute vitesse (high) pour obtenir la capacité maximale. Veillez à ce que toutes les portes, fenêtres et toits ouvrants soient fermés. Tirez les rideaux et utilisez la marquise pour réduire la charge de chaleur. Vérifiez que les ouvertures d'air de l'unité extérieure ne soient pas sales ou bouchées.
Eau s'égouttant du distributeur d'air.	Débouchez les sorties de condensat de l'unité extérieure. Contrôlez le joint du cadre adaptateur. Garez le véhicule dans une position plus horizontale, avec un angle inférieur à 5° (8,8 %). Mettez le ventilateur sur haute vitesse si une condensation se forme à l'extérieur du distributeur d'air.
Codes de défaut affichés sur le panneau :	
-	Au cas où un « 0 » ou un autre code inhabituel s'affiche lorsque le générateur fournit du courant, cela peut indiquer une tension ou un courant instable.
E0	Erreur de communication.
E1	Erreur du capteur de température ambiante.
E2	Erreur du capteur de température de l'échangeur de chaleur intérieur.
E3	Erreur du capteur de température de l'échangeur de chaleur extérieur.
E4	Pas de refroidissement. Causes possibles :

Symptômes	Action
	<ul style="list-style-type: none"> ● Quantité de fluide frigorigène insuffisante liée à une rupture ou fissure au niveau des tubes capillaires. ● Défaut au niveau du compresseur. ● Défaut au niveau de capteur.
E5	Température de l'échangeur de chaleur extérieur trop élevée / anomalie de température. Anomalie de température : température de l'échangeur de chaleur extérieur trop élevée en refroidissement ou trop basse en chauffage. (Lors du refroidissement, l'affichage de E5 indique que la température extérieure dépasse 64°C. Cela est probablement dû à la réduction du débit d'air du condenseur, d'un mauvais fonctionnement du ventilateur du condenseur ou d'une défaillance du capteur ; en mode Chauffage, si la température extérieure est supérieure à 18°C, le ventilateur à air extérieur peut démarrer et s'arrêter plusieurs fois. Ceci ne correspond pas à un dysfonctionnement, mais c'est la protection automatique du système qui évite la surchauffe de l'unité.)
dF	Pas d'anomalie : lors du fonctionnement en mode Chauffage avec des températures ambiantes basses, l'unité dégivre périodiquement l'échangeur de chaleur extérieur. L'affichage du distributeur d'air indique « dF » pendant le dégivrage puis revient en mode Chauffage une fois le dégivrage terminé.



REMARQUE

Avant de contacter l'assistance technique de Webasto, veuillez rassembler les informations suivantes :

- ▶ Y a-t-il des codes d'erreur qui sont affichés ?
- ▶ L'affichage du distributeur d'air fonctionne-t-il normalement ou non ?
- ▶ Affiche-t-il une température entre 16 et 30°C ?
- ▶ La température de consigne peut-elle être réglée librement en mode Refroidissement ou Chauffage ?
- ▶ Un « 0 » apparaît-il sur l'affichage ?
- ▶ L'écran affiche-t-il une image brouillée ?
- ▶ En mode Ventilateur, l'air sort-il des sorties du distributeur d'air ?
- ▶ Entendez-vous le compresseur se mettre en marche ou s'arrêter en mode Chauffage ou Refroidissement ?

⇒ Votre aide en ce qui concerne la collecte de ces informations sera d'une grande utilité à l'équipe de service pour la résolution des problèmes.
Merci.

9 Élimination



Éliminez les matériaux d'emballage comme prescrit par les réglementations en vigueur, en les triant pour le recyclage. Lorsque votre système est à la fin de sa durée de service, vous ne devez pas l'éliminer comme un déchet ménager ordinaire. Éliminez-le conformément aux réglementations et règles locales et nationales applicables. Rendez-vous dans votre mairie pour obtenir des informations concernant l'élimination, ou dans la station responsable de la collecte des déchets ou encore chez votre revendeur Webasto local.

Tout client a l'obligation légale d'éliminer les piles et équipements électroniques uniquement dans les bennes de recyclage marquées d'un centre de collecte des déchets. Leur retour est gratuit.



Voir également : chapitre 7.2, "Piles de la télécommande" à la page 60.

10 Caractéristiques techniques

FR

Paramètres	Valeur		Paramètres	Valeur	
	CTT 20	CTT 24		CTT 20	CTT 24
Nom du produit	Cool Top Trail 20/24		Refroidissement possible à température ambiante	16 °C à 50 °C	
Nom du modèle du fabricant	Belaire H2000/H2400		Pression de conception maximale	2900 kPa	
Alimentation électrique	220/240V/50Hz		Pression de conception minimale	1840 kPa	
Capacité de refroidissement nominale	2000 W	2400 W	Flux d'air maximal	310 m ³ /h	
Puissance de chauffage nominale	2000 W	2400 W	Poids de l'unité extérieure	net 28 kg	net 29 kg
Puissance consommée pour le refroidissement	700 W	950 W	Poids de l'unité intérieure	net 2,8 kg	
Puissance consommée pour le chauffage	600 W	850 W	Réfrigérant chargé	R407C/470g	R407C/450g
Courant nominal pour le refroidissement	3,0 A	4,2 A	Potentiel de réchauffement global (PRG)	1774	
Courant nominal pour le chauffage	2,6 A	3,8 A	Équivalent CO ₂	834 kg	798 kg
Puissance maximale consommée	800 W	1040 W	Angle d'inclinaison maximal du véhicule pendant le fonctionnement	5° (=8,8%)	
Courant maximal	3,5 A	4,5 A	Dimensions	Voir Fig. 7 / Fig. 8	
Fonctionnement à température ambiante	-5 °C à +50 °C		Classification IP	IP24	



REMARQUE

Tous les paramètres indiqués peuvent être modifiés sans notification, et les spécifications indiquées sur les plaques signalétiques de l'appareil prévalent. Toutes les valeurs peuvent être modifiées sans notification.

11 Schéma de câblage

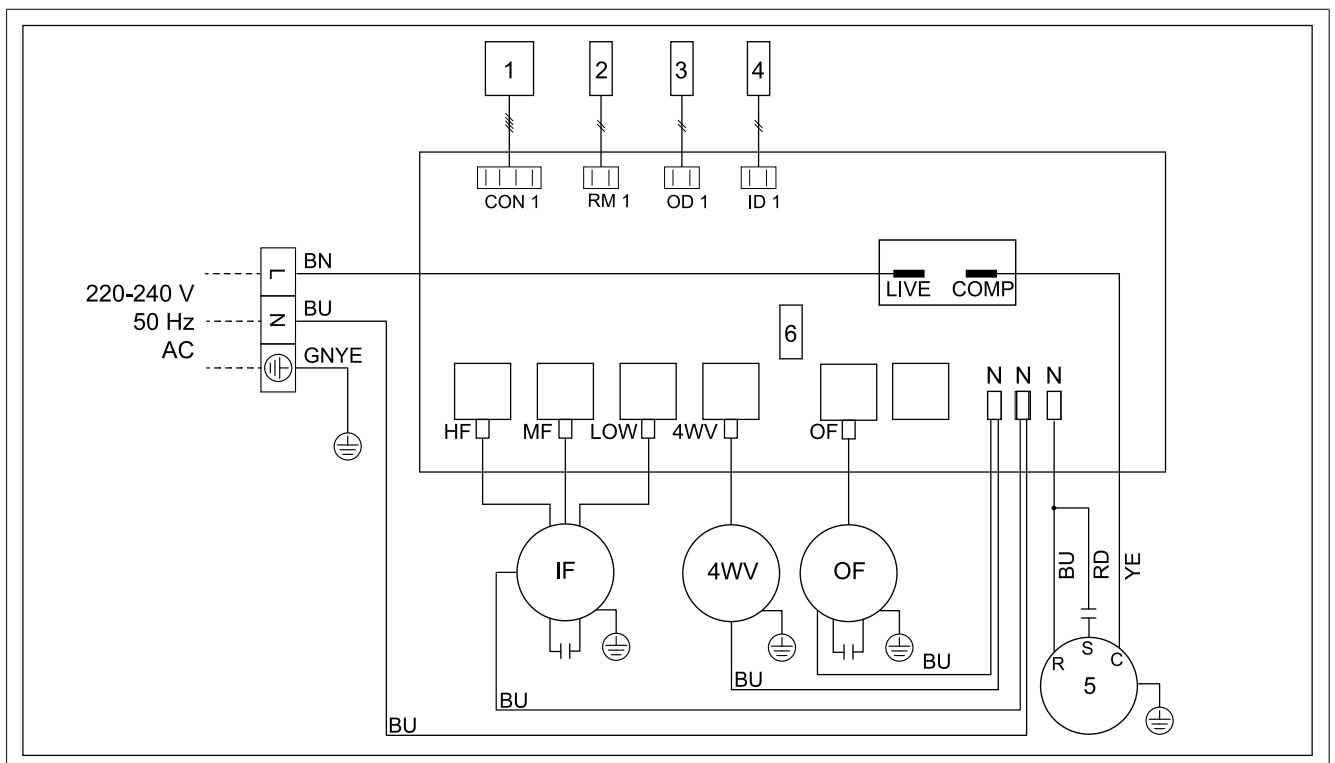


Fig. 56 Schéma électrique

Pos.	Description
1	Panneau de commande
2	Capteur de température ambiante
3	Capteur de l'échangeur de chaleur extérieur
4	Capteur de l'échangeur de chaleur intérieur
5	compresseur
6	Fusible 5x20 mm, 250 V, T5AL ou T5AH

Pos.	Description
4WV	Vanne d'inversion 4 voies
ID	(capteur) intérieur
IF	Ventilateur intérieur
OD	(capteur) extérieur
OF	Ventilateur extérieur
HF	Haut
MF	Medium
LOW	Bas

Code du câble	Couleur du câble
BN	Marron
BU	Bleu
GNYE	Vert-Jaune
RD	Rouge
YE	Jaune

Indice






1	Introduzione	67	7.3	Controllo bulloni.....	83
1.1	Utilizzo di simboli e note in evidenza	67	7.4	Uso regolare.....	83
1.2	Garanzia e responsabilità.....	67	7.5	Pulizia.....	83
			7.6	Scambiatori di calore	83
2	Sicurezza	68	8	Diagnostica.....	84
2.1	Uso previsto	68	9	Smaltimento	84
2.2	Informazioni di sicurezza.....	68	10	Specifiche tecniche	85
2.3	Qualifiche del personale.....	68	11	Schema elettrico	86
3	Dotazione	69		Dichiarazione di conformità.....	151
4	Connettori necessari per CI-BUS	69			
5	Istruzioni di montaggio.....	70			
5.1	Generale	70			
5.2	Requisiti di installazione.....	70			
5.3	Differenti dimensioni del ritaglio	70			
5.4	Posizione di montaggio	70			
5.5	Rinforzi sul tetto	71			
5.6	Alimentazione	71			
5.7	Cavo(i) CI-BUS.....	72			
5.8	Installazione del telaio adattatore	72			
5.9	Installazione dell'unità esterna	73			
5.10	Collegamento dell'alimentazione	73			
5.11	Installazione della staffa di montaggio per il diffusore dell'aria	73			
5.12	Collegamento del condotto di ingresso dell'aria.....	74			
5.13	Collegamento dei cavi dell'unità interna ed esterna .	74			
5.14	Collegamento dei cavi CI-BUS	74			
5.15	Installazione del gruppo diffusore dell'aria	75			
5.16	Installazione del supporto del telecomando	76			
5.17	Verifica del sistema.....	76			
6	Istruzioni per l'uso	77			
6.1	Prima dell'uso	77			
6.2	Come riscaldare e raffreddare efficacemente	77			
6.3	Come trattare la condensa.....	77			
6.4	Scelta e utilizzo di un generatore o un inverter	77			
6.5	Utilizzo del telecomando.....	78			
6.6	Accensione/spengimento dell'unità.....	78			
6.7	Impostazione della temperatura.....	79			
6.8	Impostazione della velocità del ventilatore.....	79			
6.9	Impostazione della modalità di funzionamento	79			
6.10	Impostazione dell'ora del sistema	80			
6.11	Impostazione del timer	80			
6.12	Attivazione del timer.....	81			
6.13	Impostazione della funzione sonno	81			
6.14	Modifica delle unità di temperatura	81			
6.15	Ripristino del telecomando	81			
6.16	Funzionamento del diffusore dell'aria senza telecomando	82			
6.17	Regolazione delle uscite dell'aria.....	82			
7	Manutenzione.....	82			
7.1	Filtro dell'aria.....	82			
7.2	Pile del telecomando	82			

1 Introduzione

Queste istruzioni d'uso e di montaggio sono parte integrante del prodotto e contengono tutte le informazioni necessarie a garantire un'installazione e un utilizzo corretti e sicuri.

- ▶ Leggere queste istruzioni d'uso prima di installare e utilizzare l'unità.
- ▶ Tenere sempre a disposizione queste istruzioni.
- ▶ Passare queste istruzioni d'uso al successivo proprietario o utente dell'unità.

1.1 Utilizzo di simboli e note in evidenza

	PERICOLO Questa avvertenza indica un pericolo di livello elevato che, se non evitato, potrebbe comportare morte o lesioni gravi.
	AVVISO L'avvertenza indica una situazione di pericolo con un moderato grado di rischio che, se non evitata, può causare lesioni lievi o moderate.
	CAUTELA Questa avvertenza indica un pericolo di livello basso che, se non evitato, potrebbe comportare lesioni minori o moderate.
	AVVERTENZA Questo simbolo indica una caratteristica tecnica particolare oppure (se non osservata) un possibile danno al prodotto.
	Questo simbolo si riferisce a documenti separati che potrebbero essere allegati oppure richiesti da Webasto.

- ✓ Requisito per le seguenti istruzioni operative

1.2 Garanzia e responsabilità

Si applica il periodo di garanzia legale. Se il prodotto è difettoso, contattare un partner di assistenza Webasto nel proprio paese.

È possibile trovare il rivenditore più vicino al seguente link:
<https://dealerlocator.webasto.com/en-int>

I nostri esperti saranno lieti di aiutarvi e di spiegarvi nel dettaglio la procedura di garanzia.

Webasto non si assume alcuna responsabilità per difetti o danni derivanti da un mancato rispetto delle istruzioni di installazione e per l'uso. Questa esclusione di responsabilità vale in particolare per:

- Installazione da parte di personale non addestrato.
- Uso improprio.
- Riparazioni non eseguite da un centro di assistenza Webasto.
- Utilizzo di componenti non originali.
- Conversione dell'unità senza previa autorizzazione da parte di Webasto.
- danni all'apparecchio in seguito ad influssi meccanici
- Mancato rispetto delle istruzioni per l'uso e montaggio.
- Mancato rispetto delle istruzioni di ispezione e manutenzione.
- Funzionamento con livelli di tensione diversi da quelli specificati nei dati tecnici.
- Danni al telecomando dovuti alla fuoriuscita di liquido dalle batterie.
- Danni causati dal contatto con sostanze non idonee, come ad esempio prodotti chimici e detergenti non idonei.

2 Sicurezza

2.1 Uso previsto

Il Cool Top Trail 20 - 24 è progettato per l'installazione in roulotte, camper e veicoli con compartimenti abitabili.

Il Cool Top Trail 20 - 24:

- Non è idoneo per il montaggio in macchine per l'edilizia, macchine agricole o attrezzature simili.
- Non è destinato ad essere utilizzato nelle imbarcazioni o esposto a forti vibrazioni.
- Non è adatto per essere utilizzato in abitazioni o appartamenti.
- Non può essere utilizzato nei veicoli durante la guida.

2.2 Informazioni di sicurezza



PERICOLO

Pericolo di folgorazione

- ▶ Spegnerne sempre l'alimentazione principale e disconnettere la rete elettrica prima di lavorare sul sistema.
- ▶ Assicurarsi che la presa di alimentazione elettrica esterna del veicolo sia effettivamente messa a terra in conformità alle norme locali.
 - La mancata messa a terra corretta dell'unità può causare scosse elettriche o incendi.
- ▶ Verificare la corrente di dispersione del condizionatore dopo l'installazione.
- ▶ In caso di odore insolito, fumo o fiamme, spegnere immediatamente il condizionatore e isolare l'alimentazione.
- ▶ Il fusibile T 5A 250 V per il climatizzatore si trova sulla centralina elettronica. Sostituirlo solo con un fusibile identico.



PERICOLO

Pericolo di lesioni o morte

- ▶ Non usare il condizionatore nelle vicinanze di liquidi infiammabili o in ambienti chiusi.
- ▶ Assicurarsi che nessun oggetto infiammabile sia conservato o installato vicino l'uscita dell'aria. Mantenere una distanza di almeno 50 cm.
- ▶ Non raggiungere le prese d'aria o inserire oggetti estranei all'interno del condizionatore. Non azionare il condizionatore senza coperchio.
- ▶ Non rimuovere o aprire il coperchio superiore del condizionatore in caso di incendio. Utilizzare agenti estinguenti appropriati. Non utilizzare mai l'acqua per estinguere il fuoco.
- ▶ Il condizionatore deve essere installato in sicurezza in modo che rimanga attaccato al tetto.
- ▶ Indossare sempre gli indumenti protettivi durante l'installazione, come ad esempio occhiali e guanti.
- ▶ Verificare se il tetto del veicolo sia in grado di supportare il peso dell'installatore nonché del condizionatore prima di salirvi sopra.



CAUTELE

- ▶ Potrebbero esserci dei cavi sopra il soffitto. Quando si effettuano dei tagli nel tetto, isolare la corrente per prevenire il rischio di scossa elettrica.
- ▶ Non spruzzare vernice o insetticida sulla superficie del condizionatore.
- ▶ Se l'unità dispone di luci, collegare le luci a LED soltanto al cavo di alimentazione CC del condizionatore. I collegamenti ad altre fonti di alimentazione possono danneggiare le luci a LED.
- ▶ I dispositivi elettrici non sono giocattoli. Tenere le apparecchiature elettriche lontane dalla portata dei bambini o delle persone inferme. Persone, le cui ridotte capacità fisiche, sensoriali o mentali o la cui mancanza di esperienza e conoscenza impediscano loro di utilizzare il dispositivo, non dovrebbero usarlo senza supervisione di una persona responsabile.
- ▶ Non utilizzare mai gli autolavaggi automatici con un condizionatore installato sul tetto.
- ▶ Se si verificano dei guasti al circuito refrigerante del condizionatore, è necessario far controllare e riparare correttamente il dispositivo da un'azienda specializzata. Non disperdere mai il refrigerante nell'aria.



AVVERTENZA

- ▶ Tenere puliti l'ingresso e l'uscita delle unità esterne e interne del condizionatore.
- ▶ Isolare l'alimentazione se il condizionatore non viene usato per molto tempo.
- ▶ Installare il condizionatore in conformità alle istruzioni del presente manuale. Metodi di installazione non corretti o modifiche al prodotto possono danneggiare il prodotto o causare lesioni personali all'utente.
- ▶ Pulire regolarmente il filtro del condizionatore.
- ▶ Un filtro sporco riduce il flusso di aria e le prestazioni di riscaldamento e raffreddamento.
- ▶ Chiedere al produttore del veicolo se è necessario eseguire un'ispezione tecnica dopo aver fissato il condizionatore e se è necessario aggiornare l'altezza del veicolo inserita nei documenti del veicolo.
- ▶ Spegnerne il condizionatore tramite la rete elettrica solo in caso di pericolo.
- ▶ Contattare il personale dell'assistenza post-vendita in caso di guasti all'unità.

2.3 Qualifiche del personale

Il personale addetto al montaggio e alla manutenzione deve:

- Avere le corrispondenti qualificazioni per lavorare su sistemi tecnici/elettrici.
- Essere certificato a lavorare su sistema di condizionamento e di refrigerazione.
- Possedere certificati in corso di validità per le operazioni descritte nel presente documento.

3 Dotazione

Il sistema verrà consegnato in 2 confezioni.
Verificare la completezza della spedizione ed eventuali danni.

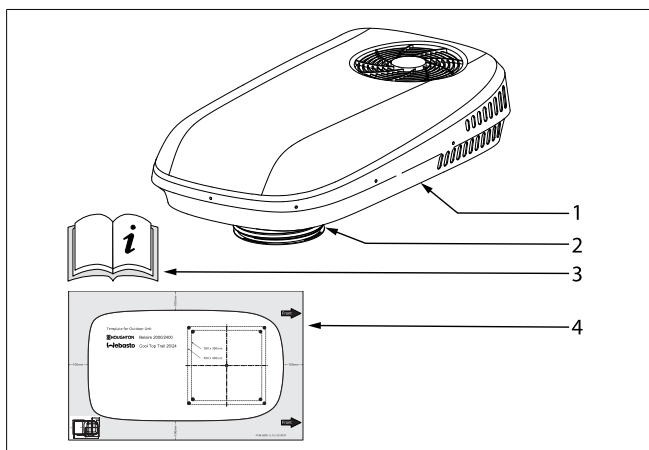


Fig. 1 Unità esterna

Pos.	Descrizione	Quantità
1	Unità esterna	1
2	Condotto ingresso aria	1
3	Istruzioni d'uso e di montaggio	1
4	Dima per l'unità esterna	1

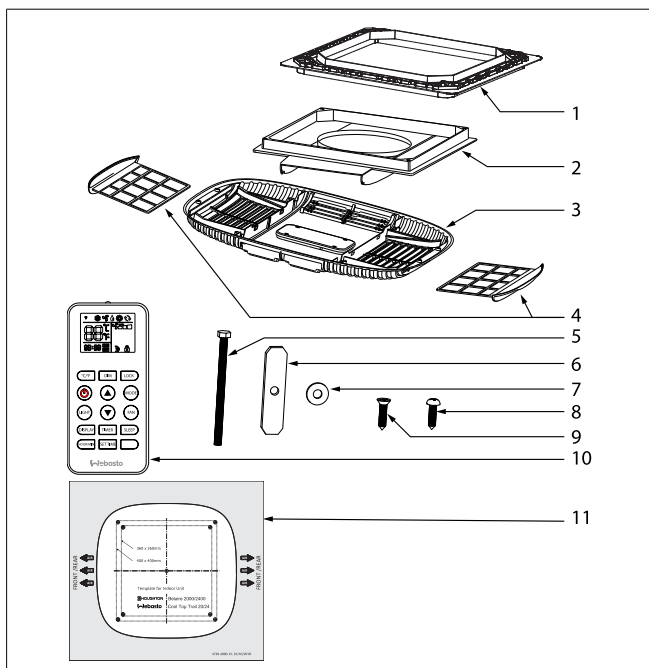


Fig. 2 Unità interna

Pos.	Descrizione	Quantità
1	Telaio adattatore	1
2	Staffa di montaggio diffusore dell'aria	1
3	Diffusore dell'aria	1
4	Filtro aria di ritorno	2
5	Bullone esagonale M8x120 mm	4
6	Barra di fissaggio in metallo	4
7	Rondella grande M8	4
8	Vite a testa bombata del distributore d'aria ST4.2*19	4
9	Vite autofilettante a testa svasata ST4.2*16-C	6

Pos.	Descrizione	Quantità
10	Telecomando con supporto e pile (2 x AAA)	1
11	Dima per l'unità interna	1

4 Connettori necessari per CI-BUS



AVVERTENZA

Questo capitolo è applicabile solo se Cool Top Trail 20 - 24 l'unità interna è dotata di una unità CI-BUS e questa unità deve CI-BUS essere collegata a un sistema CI-BUS esterno.

L'unità CI-BUS deve essere collegato al sistema CI-BUS della roulotte, del camper o del veicolo con vano abitativo.

Ciò richiede l'installazione di un cavo CI-BUS tra il sistema CI-BUS e l'unità CI-BUS nel Cool Top Trail 20 - 24. Questo cavo non è incluso nella fornitura.

Nel caso di due condizionatori Cool Top Trail, è necessario installare un cavo di interconnessione CI-BUS tra i le unità CI-BUS condizionatori. Questo cavo non è incluso nella fornitura.

I cavi CI-BUS devono essere dotati di connettori Molex. Questi connettori sono assemblati dalle parti elencate e mostrate di seguito. Queste parti non sono incluse nella fornitura:

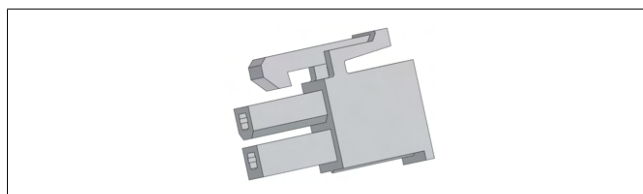


Fig. 3 Alloggiamento

Molex Mini-Fit Jr. Alloggiamento presa, doppia fila, 2 circuiti, UL 94V-2, naturale

Codice Molex:
39012020 (Ingegneria / Vecchio PN: 5557-02R)



Fig. 4 Terminali con capicorda

Terminale con capicorda femmina Mini-Fit Molex, ottone placcato stagno (Sn) su rame (Cu)

Numero del pezzo Molex (selezionare un tipo):
39000038 / (Ingegneria / Vecchio PN: 5556T)
39000046 / (Ingegneria / Vecchio PN: 5556T2)
39000059 / Vecchio PN: 5556PBT

5 Istruzioni di montaggio

5.1 Generale

- Leggere e comprendere attentamente il presente manuale prima dell'installazione.
- Non aggiungere componenti o modificare il prodotto durante l'installazione.
- Consultare Webasto o il distributore locale in caso di applicazioni o condizioni di installazione insolite che non rientrano espressamente nel presente manuale.



AVVISO

Se un tubo di scarico del riscaldatore è montato nel tetto, vicino all'unità A/C, allora è necessario sollevare il tubo di scarico di 10 cm dall'unità A/C.

5.2 Requisiti di installazione

- Il tetto del veicolo deve essere in grado di supportare il peso del condizionatore.
- Lo spessore minimo del tetto è di 25 mm; lo spessore massimo è di 70 mm.
- Il tetto deve essere piatto.

5.3 Differenti dimensioni del ritaglio

L'installazione è possibile per diverse dimensioni del ritaglio.

Per montare un tettuccio 400 x 400 mm:

1. Smontare il tettuccio e usare l'apertura rimanente.
2. Rimuovere residui di sigillante e dislivelli.
3. Riempire i fori per le viti con del sigillante butilico non indurente e flessibile.
4. Il telaio adattatore per aperture di 400x400 mm è in dotazione.

Per montare un tettuccio 360 x 360 mm:

1. Smontare il tettuccio e usare l'apertura rimanente. O si è acquistata un'unità con un telaio adattatore 360 x 360 oppure occorre acquistare il telaio adattatore opzionale per tali aperture. Può essere utilizzato al posto del telaio adattatore da 400 x 400 mm.
2. Rimuovere residui di sigillante e dislivelli.
3. Riempire i fori per le viti con del sigillante butilico non indurente e flessibile.

Per realizzare una nuova apertura:

A seconda delle dimensioni del telaio dell'adattatore è necessario creare la corrispondente apertura nel tetto.

Consultare il produttore del veicolo in merito alla soluzione e al posizionamento più adatti per una nuova apertura.

5.4 Posizione di montaggio

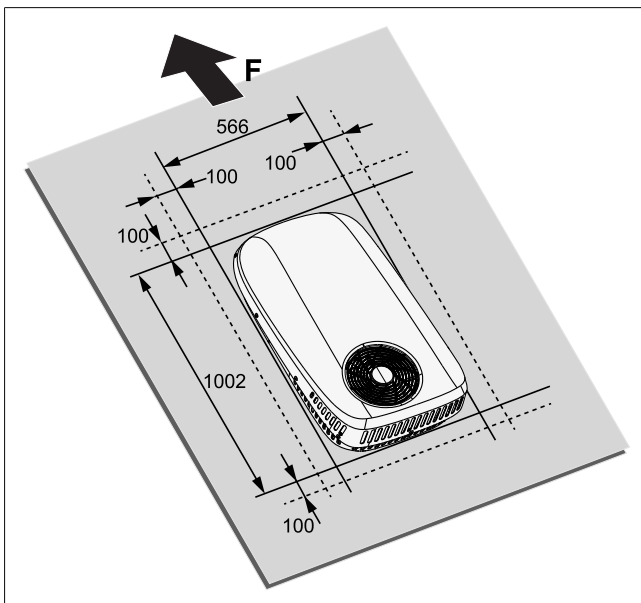


Fig. 5 Direzione di installazione dell'unità esterna

Considerare la posizione di montaggio prima dell'installazione:

- La posizione prevista non deve interferire con le strutture e i cavi esistenti.
- Il condizionatore deve essere installato il più vicino possibile al centro del tetto.
- La posizione di montaggio dell'unità esterna deve essere in linea con la direzione di viaggio (F) del veicolo.
- Assicurarsi che all'interno del veicolo vi sia spazio sufficiente per montare il diffusore dell'aria.
- Considerare la posizione di montaggio del diffusore dell'aria e assicurarsi che le uscite siano distanti almeno 400 mm da armadietti, pareti e paratie che possano reindirizzare l'aria condizionata verso l'ingresso dell'aria di ritorno. Se un'uscita si trova a meno di 400 mm da un'ostruzione, è necessario chiuderla con sigillante. In caso contrario, l'unità si accenderà e si spegnerà frequentemente.
- Se possibile, il taglio deve evitare le giunture di rivestimento del tetto.
- Scegliere una posizione di montaggio tra due supporti o sezioni longitudinali, se presenti.
- Deve esserci uno spazio minimo di 100 mm tutt'intorno all'unità del tetto per garantire un flusso d'aria sufficiente e accesso per i lavori di manutenzione.



AVVISO

Quando un portello con funzione di ventilazione di sicurezza viene sostituito da un condizionatore, è necessario garantire che la ventilazione di sicurezza venga ripristinata in un'altra postazione.



AVVERTENZA

L'angolo di inclinazione del condizionatore non deve essere maggiore di 5° (= 8,8%) e la parte posteriore del condizionatore non deve essere più alta della parte frontale.

Le seguenti figure (Fig. 6, Fig. 7 e Fig. 8) indicano lo spazio di montaggio necessario per l'unità esterna e il diffusore dell'aria all'interno per le due differenti versioni di taglio. Centrare il diffusore dell'aria utilizzando il taglio.

**AVVERTENZA**

Tutte le misurazioni sono espresse in mm, se non diversamente indicato.

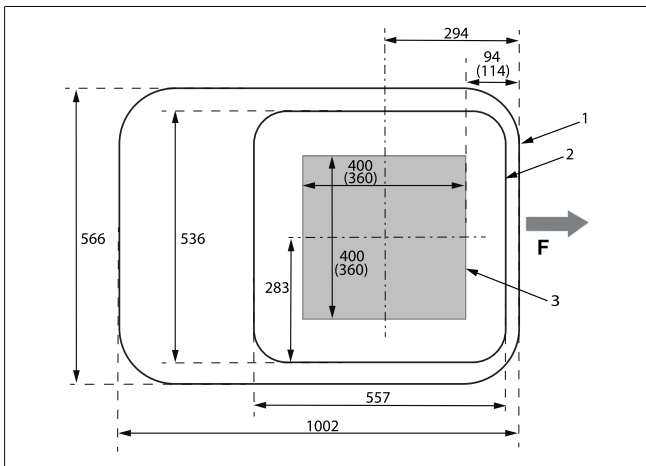


Fig. 6 Misure installazione (vista dall'alto/dal basso)

1	Posizione dell'unità esterna
2	Posizione del diffusore dell'aria
3	Ritaglio quadrato
F	Direzione di marcia

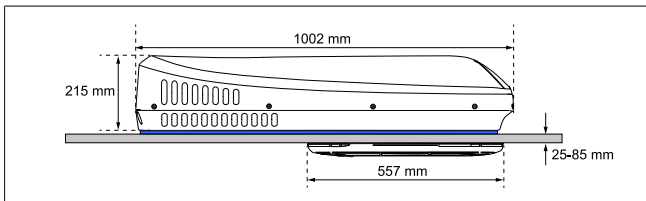


Fig. 7 Misure installazione (vista laterale)

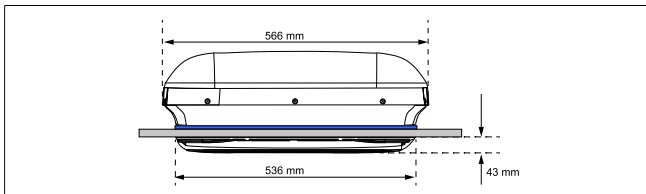


Fig. 8 Misure installazione (vista frontale)

5.5 Rinforzi sul tetto

Occorre rinforzare l'apertura con un telaio in legno utilizzando delle barre in legno larghe almeno 20 mm. Tuttavia, potrebbe essere necessario rimuovere prima il materiale isolante.

Il telaio di rinforzo serve a garantire che il tetto non venga schiacciato dai bulloni di montaggio e che l'aria condizionata non finisca nel soffitto.

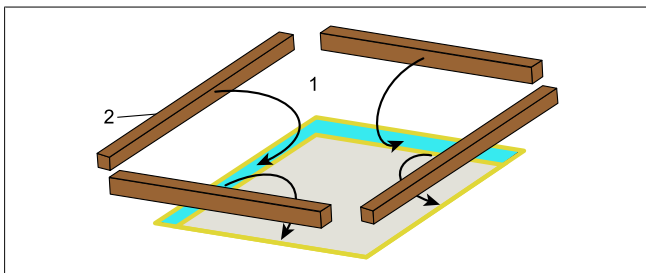


Fig. 9 Rinforzo tetto

1	Tetto
2	Barre in legno

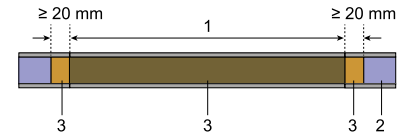


Fig. 10 Ritaglio con rinforzo in legno

1	Taglio
2	Isolamento nel tetto
3	Barre in legno

5.6 Alimentazione**AVVISO****Pericolo di folgorazione**

Occorre assicurarsi che non vi sia tensione sui componenti elettrici prima di iniziare a lavorarci. Assicurarsi che l'alimentazione elettrica o l'alimentazione fornita dagli inverter sia isolata.

**AVVERTENZA**

Solo gli elettricisti qualificati possono eseguire il collegamento elettrico a 230 V (in Germania, ad esempio, in conformità alla norma VDE 0100, Parte 721 o IEC 60364-7-721).

Quando si effettua il collegamento alla rete elettrica frontale, è responsabilità dell'installatore assicurarsi che vengano rispettate le normative elettriche locali.

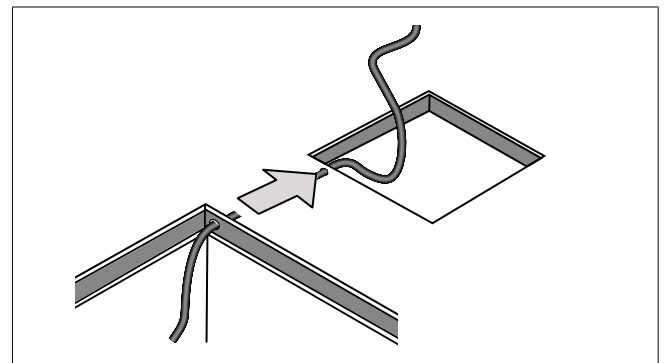


Fig. 11 Cavo di alimentazione elettrica

1. Assicurarsi che l'alimentazione a 230 V sia collegata a un dispositivo a corrente residua.
2. Installare un interruttore con uno spazio di almeno 3,5 mm e un isolamento onnipolare per la protezione del cavo di alimentazione elettrica all'unità A/C e per consentire i lavori di manutenzione e riparazione sull'unità.
3. Collegare un cavo di alimentazione elettrica da 230 V al taglio.
4. In via opzionale, collegare il cavo di alimentazione attraverso l'isolamento del tetto come mostrato in precedenza.
5. Praticare un foro nella barra in legno attraverso cui far passare il cavo di alimentazione.
6. Guidare il cavo di alimentazione attraverso il foro nella barra in legno prima di montarla.
7. Collegare e posare i cavi in modo tale che non si possa inciampare su di essi o non possano essere danneggiati.
8. Usare i condotti dei cavi per guidare i cavi attraverso le pareti con bordi affilati.
9. Assicurarsi che le sezioni trasversali minime del cavo corrispondano all'assorbimento di corrente dell'unità.

10. Non posare i cavi da 230 V e da 12/24 V insieme nello stesso condotto.
11. Non posare i cavi allentati o piegati vicino a materiale elettricamente conduttivo (metallo).

5.7 Cavo(i) CI-BUS



AVVERTENZA

Questo capitolo è applicabile solo se Cool Top Trail 20-24 l'unità interna è dotata di una unità CI-BUS e questa unità deve CI-BUS essere collegata a un sistema CI-BUS esterno.

Per assemblare i cavi CI-BUS seguire le istruzioni in capitolo 5.7.1, "Montaggio del cavo CI-BUS" a pagina 72.

Utilizzare l'apposito cavo CI-BUS per collegare l'unità CI-BUS al sistema CI-BUS.

Se sono installati due condizionatori Cool Top Trail, utilizzare il cavo di interconnessione CI-BUS per collegare le unità CI-BUS.



AVVISO

Pericolo di folgorazione

Occorre assicurarsi che non vi sia tensione sui componenti elettrici prima di iniziare a lavorarci. Assicurarsi che l'alimentazione elettrica o l'alimentazione fornita dagli inverter sia isolata.

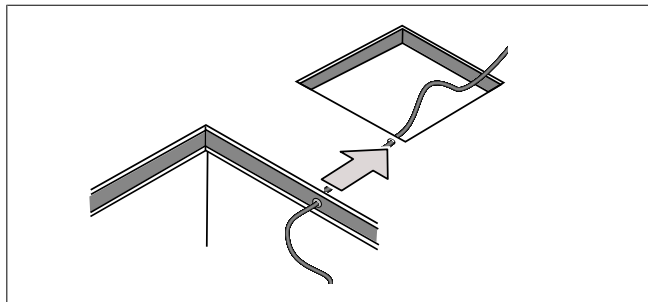


Fig. 12 Cavo CI-BUS



AVVERTENZA

Malfunzionamento del CI-BUS

Non posare i cavi principali, i cavi CI-BUS e i cavi da 12/24 V insieme nello stesso condotto.

1. In via opzionale, collegare il cavo CI-BUS attraverso l'isolamento del tetto come mostrato in precedenza.
2. Praticare un foro nella barra in legno attraverso cui far passare il cavo CI-BUS di alimentazione.
3. Guidare il cavo CI-BUS di alimentazione attraverso il foro nella barra in legno prima di montarla.
4. Collegare e posare i cavi in modo tale che non si possa inciampare su di essi o non possano essere danneggiati.
5. Usare i condotti dei cavi per guidare i cavi attraverso le pareti con bordi affilati.
6. Non posare i cavi allentati o piegati vicino a materiale elettricamente conduttivo (metallo).
7. Portare il cavo CI-BUS nell'area interna della roulotte, del veicolo o del camper.
8. Far passare il cavo CI-BUS verso il condizionatore Cool Top Trail.
9. Nel caso di due condizionatori Cool Top Trail far passare tra i due unità CI-BUS un cavo di interconnessione CI-BUS.

5.7.1 Montaggio del cavo CI-BUS

I cavi CI-BUS devono essere assemblati con appositi capicorda e una custodia corrispondente. V. capitolo 4, "Connettori necessari per CI-BUS" a pagina 69 per i dettagli delle specifiche. Ri-spettare sempre le linee guida del produttore.

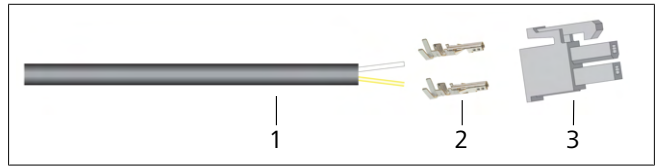


Fig. 13 Montaggio del cavo CI-BUS

1	Cavo
2	Capicorda
3	Alloggiamento

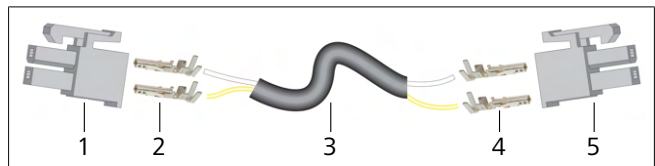


Fig. 14 Cavo di interconnessione CI-BUS assemblato tra due unità CI-BUS

1	Alloggiamento CI-BUS (unità CI-BUS 1)
2	Capicorda CI-BUS (unità CI-BUS 1)
3	Cavo
4	Capicorda CI-BUS (unità CI-BUS 2)
5	Alloggiamento CI-BUS (unità CI-BUS 2)

5.8 Installazione del telaio adattatore

1. Assicurarsi che il tetto sia pulito, asciutto e privo di olio o grasso.
2. Inserire il telaio dell'adattatore nel foro per assicurarsi che il cavo di alimentazione e il cavo CI-BUS (se presente) non interferiscano con il telaio. Se i cavi causano ostruzioni, tagliare o praticare delle aperture nella parte inferiore del telaio per far passare i cavi.
3. Confermare l'orientamento corretto del telaio posizionando l'etichetta "This side up" verso l'alto.

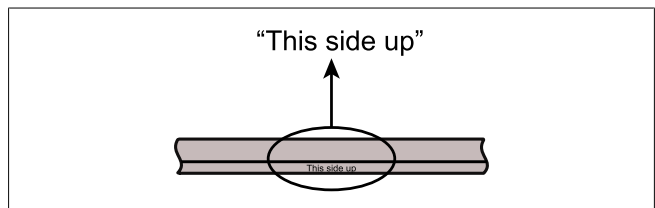


Fig. 15 Orientamento del telaio adattatore

4. Girare il componente e applicare uniformemente il sigillante in silicone su tutta l'area indicata, dal lato opposto dell'etichetta "This side up".

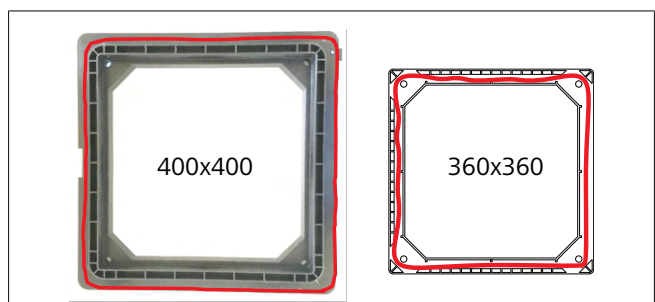


Fig. 16 Applicazioni del sigillante

5. Girare nuovamente il componente e assicurarsi che il lato con scritto "This side up" sia rivolto verso l'alto. Premere saldamente sul foro di montaggio e rimuovere il sigillante che è fuoriuscito.

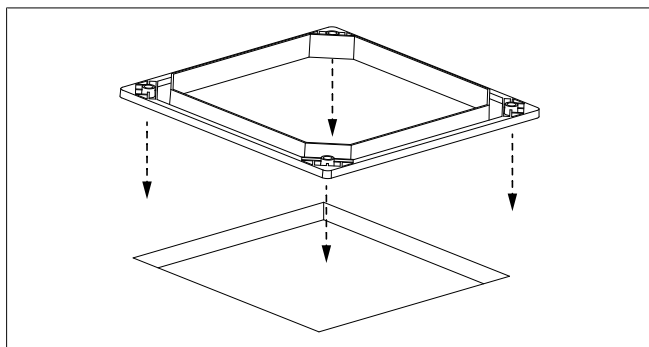


Fig. 17 Creare una guarnizione efficace

5.9 Installazione dell'unità esterna

Posizionare l'unità esterna sul telaio adattatore installato e regolare la posizione, assicurandosi che i quattro fori per i bulloni presenti agli angoli siano perfettamente allineati.

AVVERTENZA

L'unità esterna è pesante. Farsi sempre aiutare da una seconda persona per trasportare l'unità.
Non afferrare e sollevare l'unità esterna per il coperchio bianco superiore. Sollevarla afferrandola dalla base inferiore.

Utilizzando i bulloni M8, verificare che i fori dell'unità esterna siano allineati con i fori dell'adattatore. In caso contrario, riposizionare opportunamente l'unità esterna.

Non applicare altro sigillante tra l'unità esterna e il telaio adattatore.

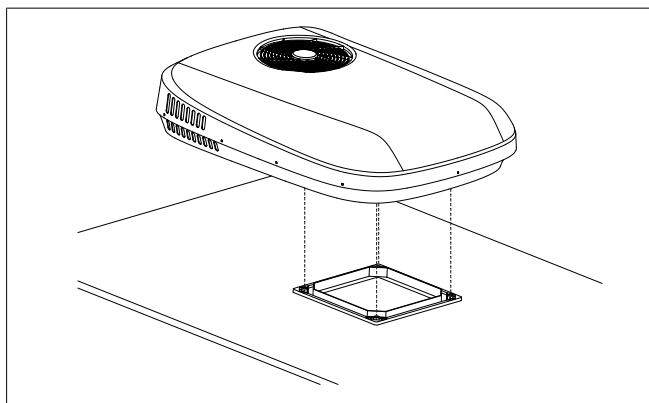


Fig. 18 Posizionamento dell'unità esterna

5.10 Collegamento dell'alimentazione

1. Guarda verso l'alto dall'interno del veicolo e individuare le morsettiere (1).
2. Rilasciare le leve arancioni.
3. Spelare i fili a una lunghezza di 10 mm (per WAGO 222-412).
4. Inserire i fili del cavo di alimentazione nelle morsettiere a 2 poli. Far coincidere i fili attivi, neutri e di terra corrispondenti.
5. Chiudere le leve arancioni per assicurarsi che il cavo di alimentazione sia in sicurezza e collegato correttamente.

AVVERTENZA

Il mancato fissaggio corretto dei collegamenti potrebbe provocare un corto circuito o un incendio.

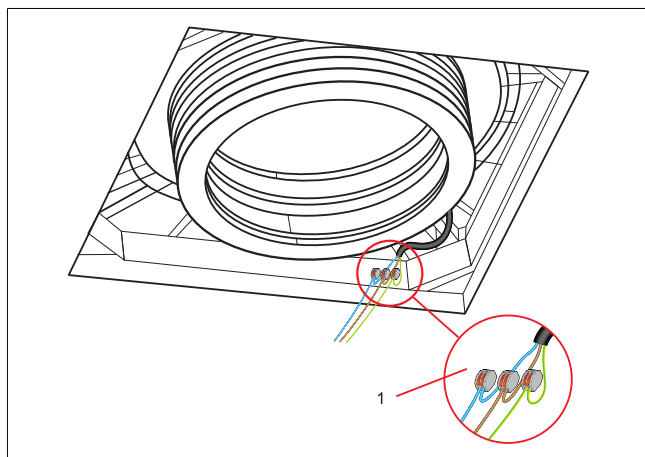


Fig. 19 Posizione delle morsettiere

5.11 Installazione della staffa di montaggio per il diffusore dell'aria

1. Preparare i bulloni M8 (4), le rondelle (3) e le barre di fissaggio in metallo (2) come mostrato in figura.
2. Sollevare la staffa di montaggio del diffusore dell'aria (1) verso il condizionatore.
3. Inserire i bulloni M8, insieme alle rondelle, e le barre di fissaggio in metallo nei 4 fori agli angoli della staffa di montaggio del diffusore dell'aria.
4. Avvitare manualmente i bulloni sulle filettature per garantire il corretto bloccaggio.
5. Assicurarsi che tutti i bulloni siano avvitati correttamente. Eseguire 2 rotazioni per evitare l'incrocio delle filettature.
6. Assicurarsi che le barre di fissaggio in metallo siano allineate con la corrispondente rientranza della staffa di montaggio del diffusore dell'aria mentre si avvitano i bulloni.
7. Infine stringere in maniera uniforme i quattro bulloni con una coppia di 7 Nm.

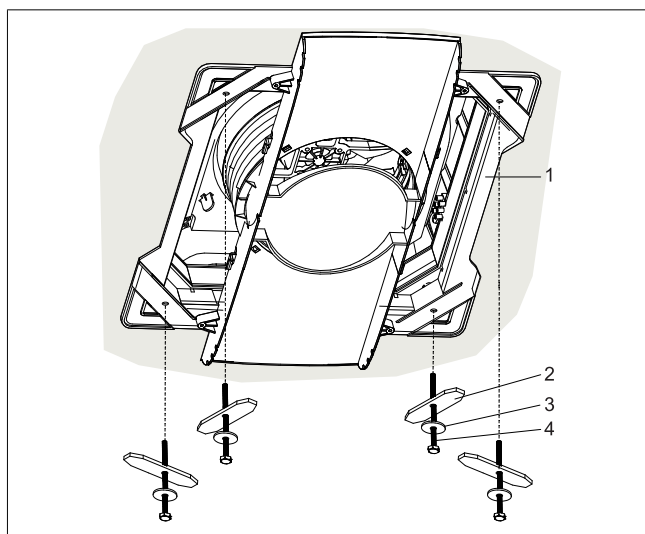


Fig. 20 Installazione dei bulloni

5.12 Collegamento del condotto di ingresso dell'aria

1. Afferrare l'estremità libera del condotto di ingresso dell'aria (2) e tirarlo giù fino a che non tocca la staffa di montaggio del diffusore dell'aria (1).
2. Continuare a tirare giù il bordo del condotto fino a che non si blocca con i quattro perni (3) sulla staffa di montaggio del diffusore dell'aria.
3. Si sa che il condotto è correttamente collegato se i quattro perni fanno clic e il bordo del condotto (5) è parallelo alla superficie della staffa (4).

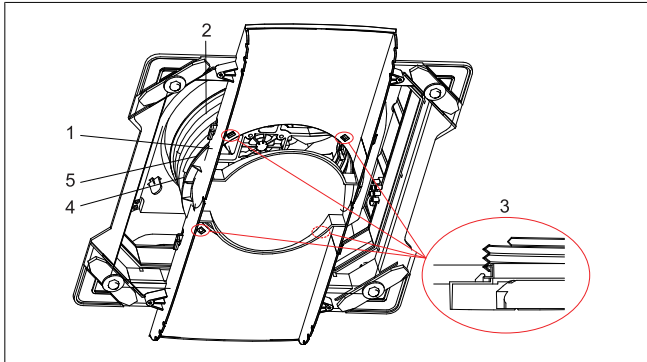


Fig. 21 Collegamento del condotto di ingresso dell'aria

5.13 Collegamento dei cavi dell'unità interna ed esterna

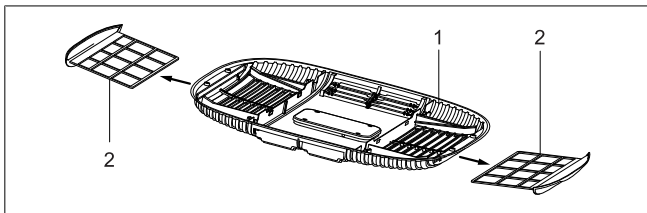


Fig. 22 Rimozione del filtro dell'aria

1. Rimuovere il filtro dell'aria dal diffusore dell'aria premendo entrambe le linguette (1) verso l'interno (2) e poi verso il basso (3).

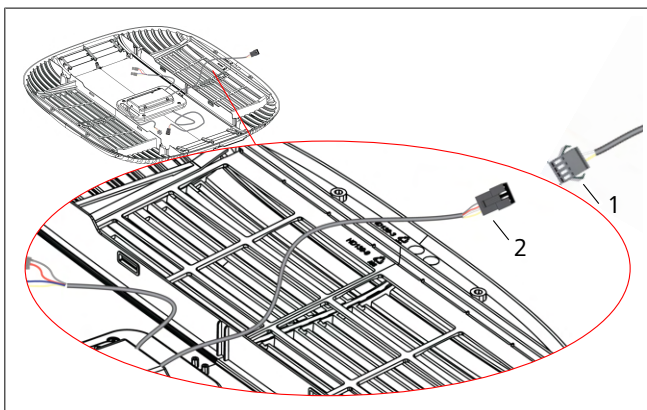


Fig. 23 Collegamento del connettore dell'unità esterna a l'unità CI-BUS

2. Inserire il connettore dell'unità esterna (1) nel connettore corrispondente (2) dell'unità CI-BUS.

5.14 Collegamento dei cavi CI-BUS



AVVERTENZA

Questo capitolo è applicabile solo se Cool Top Trail 20 - 24l'unità interna è dotata di una unità CI-BUS e questa unità deve CI-BUS essere collegata a un sistema CI-BUS esterno.

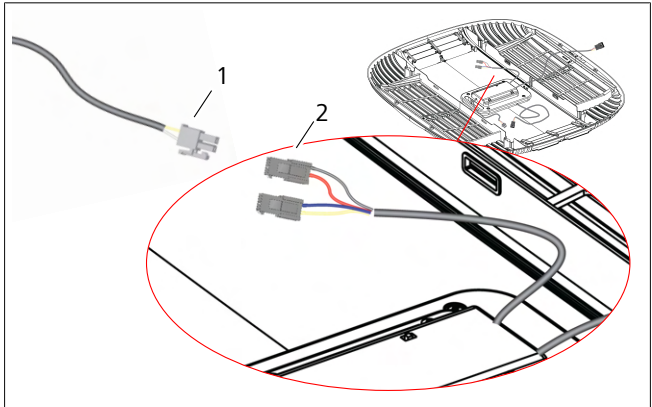


Fig. 24 Collegamento del sistema CI-BUS all'unità CI-BUS

1. Inserire il connettore CI-BUS (1) nel connettore CI-BUS corrispondente (2) dell'unità CI-BUS.



AVVERTENZA

Impostazioni dell'interruttore

Se si dispone di due condizionatori Cool Top Trail, entrambi con una unità CI-BUS installato, è necessario impostare l'interruttore ID di ciascuna unità CI-BUS in modo diverso.

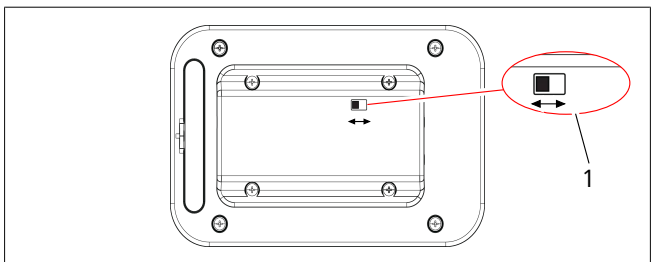


Fig. 25 Vista dall'alto dell'unità CI-BUS

2. Impostare l'interruttore ID (1) in posizione sinistra per una unità CI-BUS e in posizione destra per l'altra unità CI-BUS.

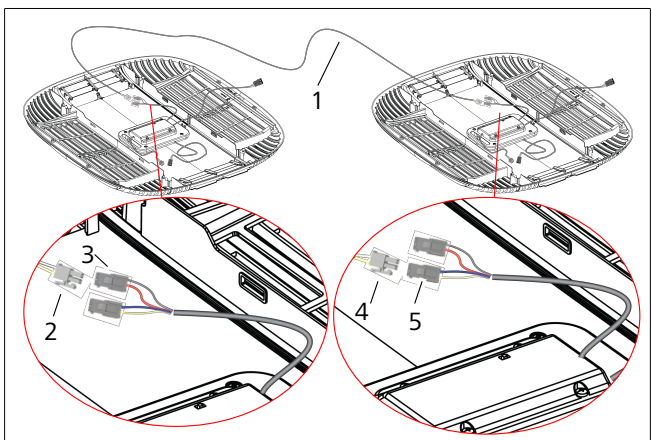


Fig. 26 Collegamento di due unità CI-BUS

3. Se sono installati due condizionatori Cool Top Trail, utilizzare il cavo di interconnessione (1).
4. Inserire il connettore (2) del cavo nel connettore CI-BUS (3) della prima unità CI-BUS

5. Inserire l'altro connettore (4) del cavo nel connettore CI-BUS ausiliario (5) della seconda unità CI-BUS.

5.15 Installazione del gruppo diffusore dell'aria

- Collegare il diffusore dell'aria (1) alla staffa di montaggio (3) bloccando i due componenti.
 - Si sentiranno quattro clic dei fermi (2) quando il distributore dell'aria (1) e la staffa di montaggio (3) si collegano insieme.

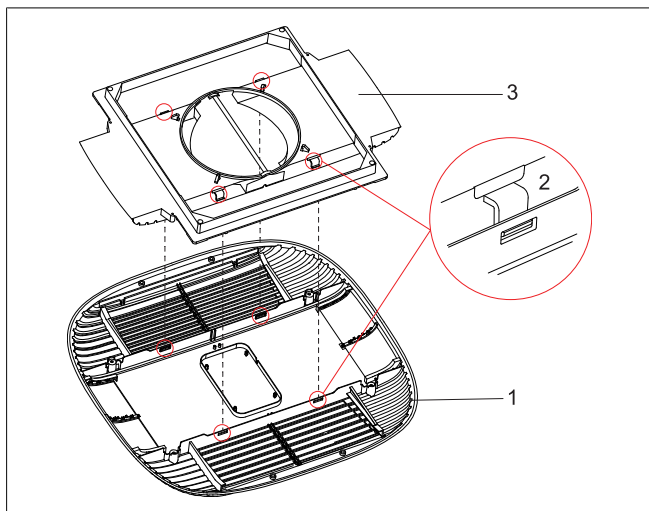


Fig. 27 Collegare il gruppo diffusore dell'aria alla staffa di montaggio

- Collegare il diffusore dell'aria (1) alla staffa di montaggio con quattro viti a testa bombata ST4,2*19 (2).

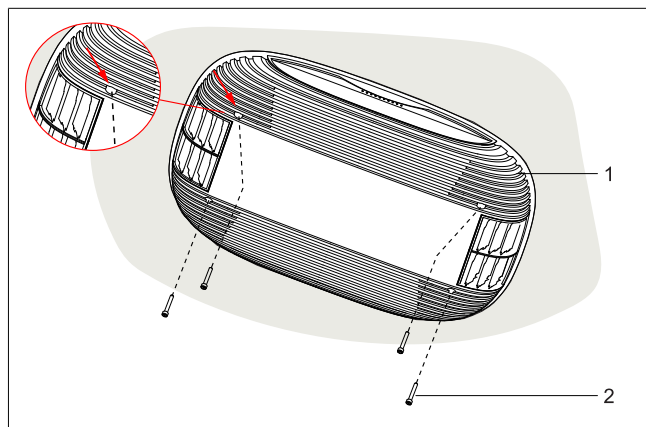


Fig. 28 Fissare il gruppo diffusore dell'aria alla staffa di montaggio

- Il seguente passaggio è facoltativo. Lo scopo di tale passaggio è quello di ridurre un potenziale spazio tra il diffusore dell'aria e il soffitto del veicolo utilizzando 4 viti a testa svasata.
- Per installare queste viti:

- Fissare il diffusore dell'aria (1) al soffitto utilizzando 4 viti a testa svasata (2).

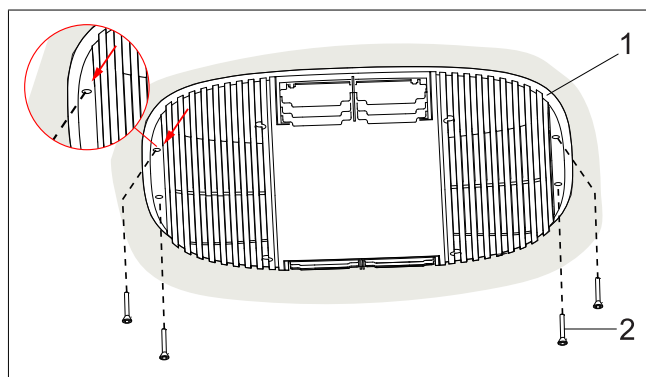


Fig. 29 Fissare il diffusore dell'aria al soffitto

- Installare i filtri dell'aria (2) come mostrato di seguito:

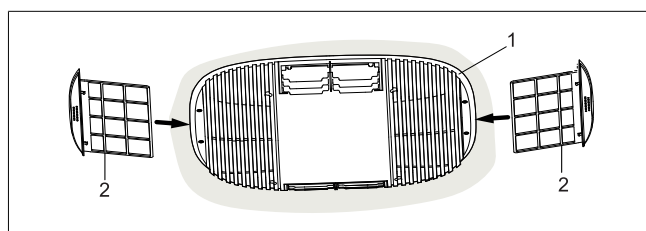


Fig. 30 Installazione dei filtri dell'aria



5.16 Installazione del supporto del telecomando

1. Trovare un posto comodo per installare il supporto del telecomando (1).
2. Utilizzare 2 viti a testa svasata (2) per fissare il supporto.

IT

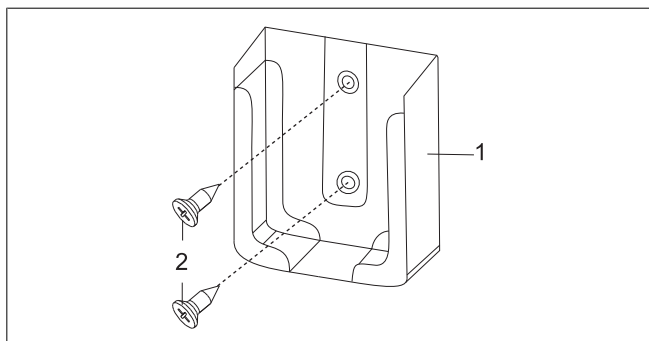


Fig. 31 Supporto telecomando

5.17 Verifica del sistema

- Verificare tutte le funzioni del condizionatore come descritto nel capitolo 6, "Istruzioni per l'uso" a pagina 77.
- Assicurarsi che le uscite della condensa siano pulite dopo aver installato l'unità esterna.
- Se richiesto, inserire la nuova altezza e il nuovo peso del veicolo nei documenti del veicolo.
- Consegnare il presente manuale al nuovo proprietario del veicolo.

6 Istruzioni per l'uso

6.1 Prima dell'uso

-  **AVVERTENZA**
Prima dell'accensione, assicurarsi che la tensione di alimentazione e la frequenza corrispondano ai valori del condizionatore.
-  **AVVERTENZA**
Assicurarsi che l'ampereaggio fornito dall'alimentazione esterna sia sufficiente.
-  **AVVERTENZA**
Srotolare completamente l'avvolgicavo per evitare il surriscaldamento e la perdita di tensione della prolunga.
-  **AVVERTENZA**
La prolunga deve avere una sezione trasversale minima di 3 x 2,5 mm².
-  **AVVERTENZA**
Assicurarsi che le griglie di ingresso e di uscita dell'aria non siano coperte da panni, carta o altri oggetti.
-  **AVVERTENZA**
Dopo aver rimosso il coperchio posteriore del telecomando, inserire due (2) batterie AAA LR3 con protezione da fuoriuscite nel telecomando. Poi riposizionare il coperchio posteriore.
-  **AVVERTENZA**
Per utilizzare il telecomando, indirizzarlo verso il diffusore dell'aria per avere la migliore trasmissione del segnale. Il diffusore dell'aria emette un suono non appena riceve un segnale.
-  **AVVERTENZA**
Le icone mostrate sul display del telecomando dipendono dalle impostazioni a cui si accede.
-  **AVVERTENZA**
Dopo aver selezionato la modalità **RAFFREDDAMENTO** o **RISCALDAMENTO**, il compressore potrebbe ritardare l'avvio di 3 minuti. Questa caratteristica protegge il compressore.
-  **AVVERTENZA**
Per impostare l'orologio del sistema, vedere capitolo 6.10, "Impostazione dell'ora del sistema" a pagina 80.

6.2 Come riscaldare e raffreddare efficacemente

Le seguenti misure generiche sono molto utili per ridurre il carico termico all'interno del veicolo e migliorare le prestazioni del condizionatore:

- Se possibile, parcheggiare il veicolo all'ombra.
- Posizionare il veicolo con il parasole dal lato del sole. Ciò riduce l'esposizione diretta al luce del sole.
- Chiudere tutte le porte, i lucernari e le finestre, chiudere le tende e aprire il parasole o la tenda para sole.
- Spegnerle tutte le apparecchiature elettriche non necessarie nel veicolo. Ciò ridurrà ulteriormente il carico termico.
- Se possibile, cucinare fuori dal veicolo.
- In caso di temperature molto elevate, accendere il condizionatore in anticipo durante la mattina.
- Se l'interno del veicolo si è già scaldato, far ventilare il veicolo aprendo porte e finestre **prima** di avviare l'unità A/C.

- Pulire regolarmente il tetto del veicolo; i tetti sporchi si scaldano di più.


Nello stesso modo in cui molti fattori influenzano il carico termico totale all'interno del veicolo, molti altri fattori possono influenzare l'efficienza operativa del condizionatore. Può essere opportuno consultare il costruttore del veicolo per comprendere appieno il carico termico totale del veicolo.

6.3 Come trattare la condensa

Quando l'aria calda e umida all'interno del veicolo incontra una superficie fredda, è probabile che si formi acqua di condensa. Tale processo è noto anche come "trasudazione". Per risolverlo:


- Chiudere e sigillare tutte le porte, i lucernari e le finestre. Ciò riduce l'ingresso di aria calda e umida.
- Se il ventilatore interno funziona a velocità **Alta**, evitare le velocità **Bassa** e **Automatica**.

Durante il funzionamento del condizionatore, si produrrà acqua di condensa e verrà scaricata sul tetto. È del tutto normale. La quantità di acqua condensa dipende dall'umidità dell'aria. L'elevata umidità all'interno del proprio veicolo comporterà una maggiore generazione di acqua di condensa.

-  **AVVERTENZA**
Perdite o danni provocati dall'acqua di condensa non rientrano nell'ambito della garanzia.

6.4 Scelta e utilizzo di un generatore o un inverter

Il CTT 20 - 24 necessita di un'ottima fonte di alimentazione di rete AC per funzionare correttamente. Se si decide di fornire energia elettrica utilizzando un generatore o un inverter, è necessario consultare il fornitore del generatore/dell'inverter per confermare la conformità e le dimensioni del generatore/dell'inverter per la tua applicazione.

-  **AVVERTENZA**
Perdite o danni provocati dall'uso di un generatore o un inverter non rientrano nell'ambito della garanzia.

6.5 Utilizzo del telecomando

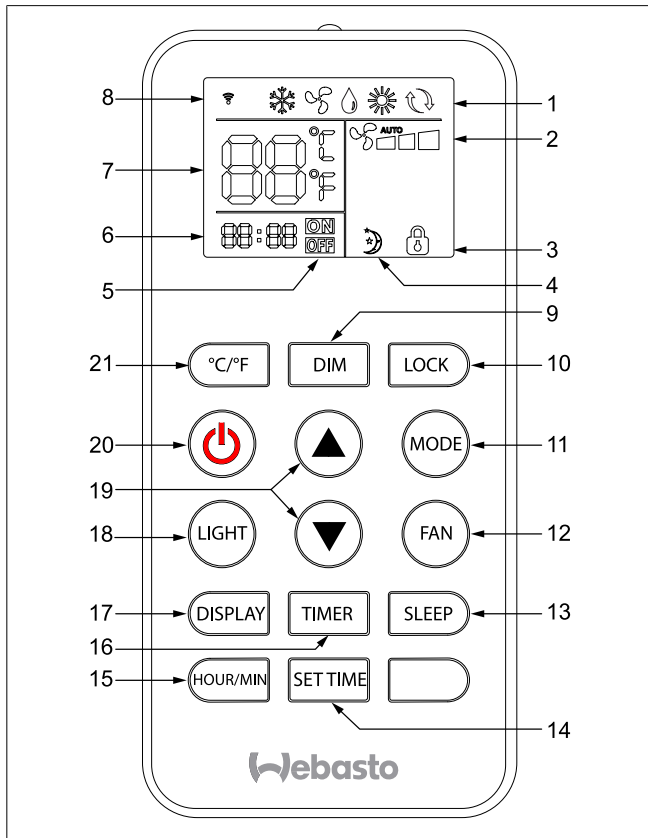


Fig. 32 Panoramica telecomando

Icone sul display	Informazioni
1	Indicatore Modalità COOL/FAN/DRY/HEAT/AUTO (raffreddamento/ventilatore/deumidificazione/riscaldamento/automatico)
2	Indicatore velocità ventilatore Bassa/Media/Alta/Auto
3	Indicatore funzione di blocco -
4	Indicatore funzione sonno -
5	Indicatore stato timer ON/OFF -
6	Indicatore Orologio/Timer Orario in tempo reale, durata del timer durante l'impostazione.
7	Indicatore di temperatura Mostra la temperatura di riferimento o la temperatura interna. Unità in °C o °F.
8	Trasmissione dati I simboli compaiono brevemente quando il telecomando invia dati all'unità A/C.

Pulsanti di comando	Funzione
9 DIM*	Seleziona la luminosità delle luci a LED: 25%, 50%, 75%, 100%
10 LOCK	Disattiva il controllo touch sul diffusore dell'aria quando l'unità è ACCESA. Premere nuovamente il tasto per sbloccare.
11 MODALITÀ	Seleziona la modalità di funzionamento COOL/DRY/FAN/HEAT/AUTO (raffreddamento/ventilatore/deumidificazione/riscaldamento/automatico).

Pulsanti di comando	Funzione
12 FAN	Seleziona le velocità del ventilatore Bassa/Media/Alta o AUTO. La velocità AUTO è possibile soltanto nella modalità RAFFR/RISC. Con la velocità AUTO il ventilatore regola automaticamente la velocità tra bassa, media e alta.
13 SLEEP	Seleziona la modalità sonno. Disponibile soltanto nella modalità RAFFR o RISC.
14 SET TIME	Entra nella modalità di impostazione OROLOGIO/TIMER.
15 HOUR/MIN	Passa all'impostazione dell'ora o dei minuti.
16 TIMER	Attiva differenti impostazioni di timer.
17 DISPLAY	Accende/Spegne il display del diffusore dell'aria.
18 LIGHT*	Accende/Spegne le luci LED del diffusore dell'aria.
19 Freccia su/Freccia giù	Regola la temperatura di riferimento, l'orologio o il timer.
20 ON/OFF	Accende/spegne il sistema.
21 °C/°F	Tasto °C/°F Selezione le unità di temperatura, Celsius o Fahrenheit, sull'indicatore di temperatura.

* Applicabile solo alle unità con luci LED.

6.6 Accensione/spengimento dell'unità

Per accendere l'unità, premere il tasto sul telecomando.

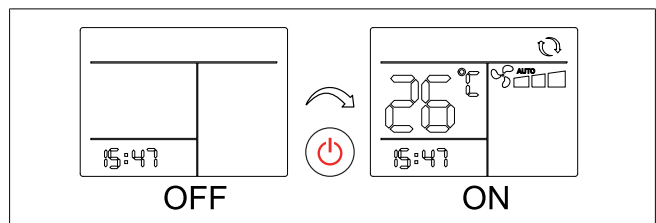


Fig. 33 Accensione dell'unità

- L'unità si accende e il display del diffusore dell'aria mostra la temperatura di riferimento e la modalità di funzionamento.
- Il display del telecomando mostra la temperatura di riferimento, la modalità di funzionamento e il livello di velocità del ventilatore.
- Vengono recuperate le ultime impostazioni.
- Il ventilatore interno potrebbe avviarsi immediatamente se l'unità è in modalità ventilatore o raffreddamento. Se in modalità riscaldamento, si verificherà un ritardo mentre la bobina interna si scalda prima di accendere il ventilatore interno, prevenendo così correnti d'aria fredda.
- Il compressore potrebbe impiegare fino a 3 minuti per avviare il funzionamento. Questa caratteristica serve a proteggere il compressore.

Per spegnere l'unità, premere di nuovo il tasto .

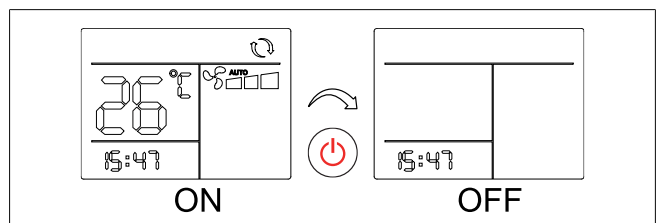



Fig. 34 Spegnimento dell'unità

- L'unità si spegne, il display del diffusore dell'aria è vuoto.
- Il display del telecomando mostra soltanto l'ora.

È anche possibile accendere e spegnere l'unità premendo il pulsante touch  sul distributore dell'aria; vedere capitolo 6.16, "Funzionamento del diffusore dell'aria senza telecomando" a pagina 82 per maggiori dettagli.

6.7 Impostazione della temperatura

Usare i tasti  /  per modificare la temperatura di riferimento.

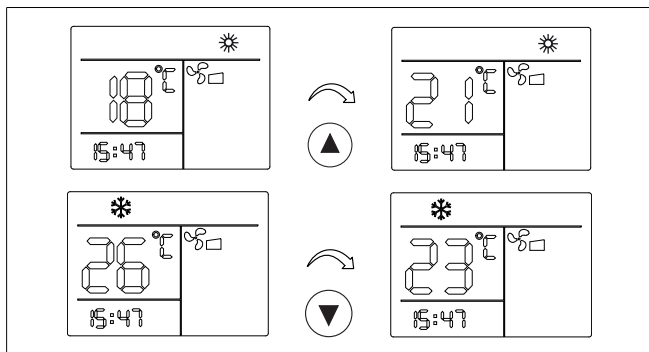
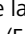


Fig. 35 Impostazione della temperatura

- Sia il display del telecomando che quello del diffusore dell'aria mostreranno la temperatura di riferimento.
- Il condizionatore conferma la ricezione di ciascuna modifica del valore di riferimento con un bip.
- È possibile impostare la temperatura tra 16 e 30 °C mentre l'unità è in funzione.
- Non è possibile impostare la temperatura di riferimento in modalità  VENTILATORE (FAN).

6.8 Impostazione della velocità del ventilatore

Usare il tasto FAN per impostare il livello di velocità del ventilatore.

- Il livello di velocità del ventilatore influisce direttamente sul volume del flusso di aria.
- Ogni volta che si preme il tasto FAN, si modifica il livello di velocità del ventilatore nella sequenza mostrata nella .

AUTO indica che è selezionata la modalità VENTILATORE automatica. In questa modalità la velocità del ventilatore si regola automaticamente. La modalità VENTILATORE automatica è disponibile soltanto nella modalità RAFFR o RISC.

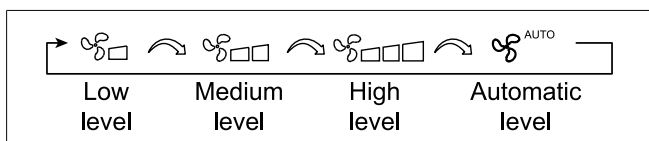


Fig. 36 Impostazione della velocità del ventilatore

6.9 Impostazione della modalità di funzionamento

Premere il tasto MODE sul telecomando per modificare la modalità di funzionamento. Il telecomando mostra le icone selezionate.

- Ogni volta che si preme il tasto MODE, si modifica la modalità nella sequenza mostrata di seguito.



Fig. 37 Impostazione della modalità di funzionamento

Modalità RAFFREDDAMENTO ❄

- Nella modalità RAFFREDDAMENTO (COOL) il diffusore dell'aria mostra il simbolo ❄ e il veicolo verrà raffreddato.

- La temperatura e la velocità del ventilatore possono essere selezionate manualmente.
- Il compressore si spegne una volta raggiunta la temperatura di riferimento e si riavvia automaticamente una volta superato il valore della temperatura ambiente.

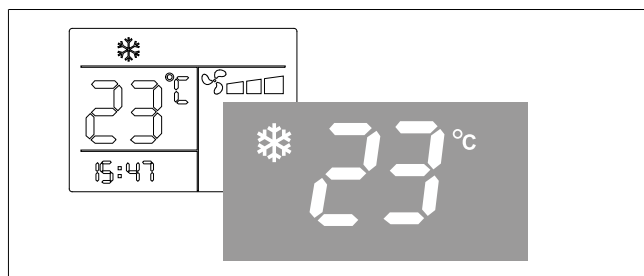


Fig. 38 Modalità RAFFREDDAMENTO

Modalità DEUMIDIFICAZIONE

- Nella modalità DEUMIDIFICAZIONE (DRY) l'unità riduce l'umidità all'interno del veicolo.
- Impostare la temperatura di 1°C in meno rispetto all'attuale temperatura ambiente.
- Il diffusore dell'aria mostra il simbolo ❄.

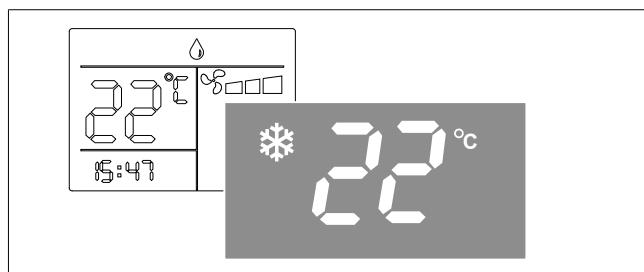



Fig. 39 Modalità DEUMIDIFICAZIONE

Modalità VENTILATORE

- Nella modalità VENTILATORE (FAN) l'aria circola all'interno del veicolo senza riscaldare o raffreddare.
- La velocità del ventilatore può essere impostata manualmente.
- Il diffusore dell'aria mostra l'icona  nonché l'attuale temperatura ambiente.

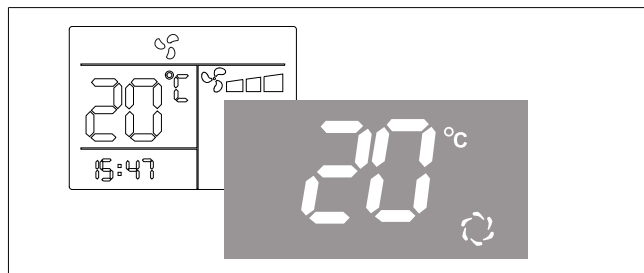


Fig. 40 Modalità VENTILATORE

Modalità RISCALDAMENTO*

- Nella modalità RISCALDAMENTO (HEAT) il diffusore dell'aria mostra l'icona * e il veicolo verrà riscaldato.
- La temperatura e la velocità del ventilatore possono essere impostate manualmente.
- Il compressore si spegne una volta raggiunta la temperatura di riferimento e si riavvia automaticamente una volta che la temperatura ambiente scende al di sotto del valore di riferimento.

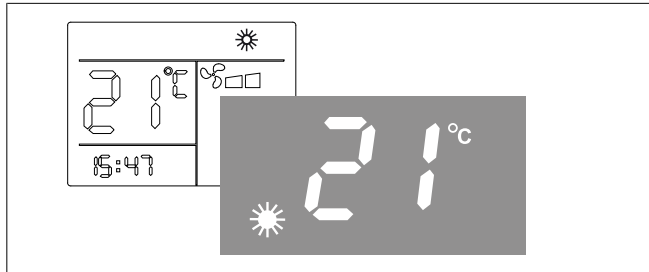


Fig. 41 Modalità RISCALDAMENTO

AVVERTENZA

Quando è attiva la modalità riscaldamento con basse temperature ambiente, l'unità esegue periodicamente lo sbrinamento dello scambiatore di calore esterno. Il diffusore dell'aria mostra "dF" durante lo sbrinamento e, al termine dello sbrinamento, torna in modalità riscaldamento.

Modalità AUTOMATICA

- Nella modalità AUTOMATICA l'unità seleziona automaticamente la modalità riscaldamento o raffreddamento in base alla differenza tra l'attuale temperatura ambiente e la temperatura di riferimento.
- La temperatura e la velocità del ventilatore possono essere selezionate manualmente.
- Il diffusore dell'aria mostra l'icona * in modalità riscaldamento e l'icona ❄️ e la temperatura di riferimento in modalità raffreddamento.

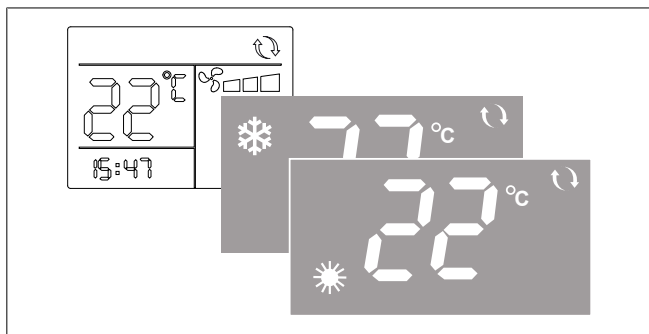


Fig. 42 Modalità AUTOMATICA

6.10 Impostazione dell'ora del sistema

1. Premere il pulsante SET TIME. Le cifre delle **ore** ora lampeggiano.
2. Premere il tasto ▲ / ▼ per impostare l'ora.
3. Premere il tasto HOUR/MIN. Le cifre dei **minuti** ora lampeggiano.
4. Premere il tasto ▲ / ▼ per impostare i minuti.
5. Premere 3 volte il tasto SET TIME per uscire dalla modalità impostazione. In alternativa, attendere 10 secondi quando le cifre non smettono di lampeggiare.

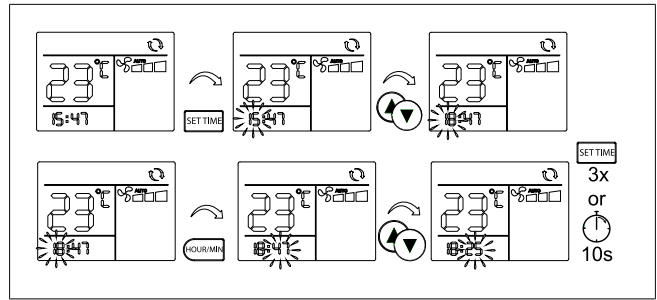


Fig. 43 Impostazione dell'ora del sistema

6.11 Impostazione del timer

Il timer può essere impostato per avviare e spegnere l'unità a un orario preprogrammato. In un primo passaggio è necessario impostare gli orari di avvio e spegnimento.

1. Premere due volte il tasto SET TIME fino a quando in alto a destra dell'orologio non compare ON e le cifre delle **ore** non lampeggiano.
2. Premere il tasto ▲ / ▼ per impostare l'**ora** in cui si desidera accendere l'unità.
3. Premere il tasto HOUR/MIN e poi il tasto ▲ / ▼ per impostare i **minuti**.
4. Premere di nuovo il tasto SET TIME fino a quando in basso a destra dell'orologio non compare OFF e le cifre delle **ore** non lampeggiano.
5. Premere il tasto ▲ / ▼ per impostare l'**ora** in cui si desidera spegnere l'unità.
6. Premere il tasto HOUR/MIN e poi il tasto ▲ / ▼ per impostare i **minuti**.
7. Per uscire dalla modalità impostazione premere di nuovo il tasto SET TIME. Viene visualizzato l'orario. In alternativa, attendere 10 secondi fino a quando le cifre non smettono di lampeggiare.

AVVERTENZA

Ora gli orari di timer ON e OFF sono impostati, ma devono essere attivati separatamente. Vedere capitolo 6.12, "Attivazione del timer" a pagina 81.

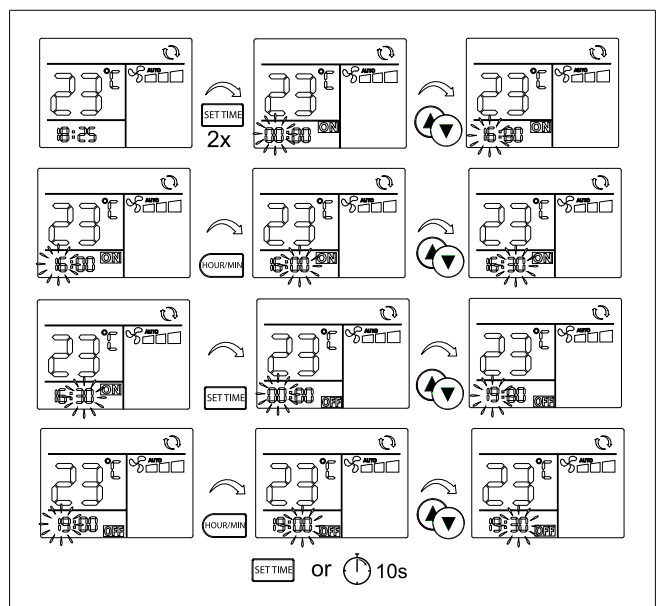


Fig. 44 Impostazione del timer

6.12 Attivazione del timer

Prima di attivare il timer, impostare la modalità di funzionamento, la temperatura di riferimento e il livello di ventilatore desiderato.

Dopo aver impostato gli orari di accensione e spegnimento (vedere capitolo 6.11, "Impostazione del timer" a pagina 80) è possibile attivare una delle tre differenti modalità TIMER:

- Modalità TIMER ON
In questa modalità l'unità si accenderà all'orario ON desiderato e continuerà a funzionare.
- Modalità TIMER OFF
In questa modalità l'unità smetterà di funzionare all'orario OFF desiderato e rimarrà spenta.
- Modalità TIMER ON / OFF
In questa modalità l'unità si avvierà all'orario ON e si spegnerà all'orario OFF. Tale schema verrà ripetuto ogni giorno.

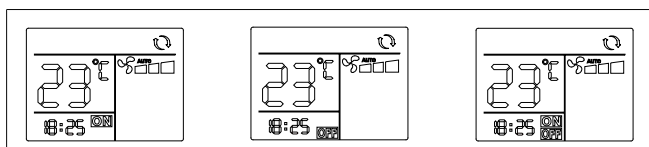


Fig. 45 Modalità TIMER

1. Premere ripetutamente il tasto TIMER fino a quando il simbolo ON o OFF oppure entrambi non lampeggiano, a seconda della modalità timer che si desidera.
2. Per confermare la selezione, attendere 10 secondi fino a quando il simbolo non smettere di lampeggiare e viene visualizzato in modo permanente. Ora viene visualizzato di nuovo l'orario.

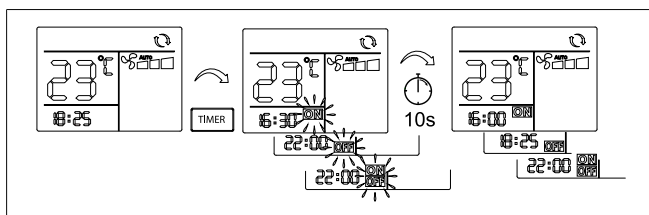


Fig. 46 Attivazione del timer



AVVERTENZA

Se l'orario viene mostrato senza l'icona ON / OFF, significa che il timer non è stato attivato.

6.13 Impostazione della funzione sonno

La funzione sonno modifica automaticamente la temperatura target per garantire una temperatura piacevole mentre si dorme. Ciò aiuta inoltre a ridurre il tempo di funzionamento del compressore, il consumo energetico e i livelli di rumorosità.

1. Premere il tasto SLEEP per attivare la funzione sonno.
 - L'icona sul display del telecomando viene visualizzata per indicare che la funzione sonno è attiva.
 - Nella modalità RAFFREDDAMENTO la temperatura di riferimento aumenterà automaticamente in due fasi e sarà aumentata di 2°C dopo due ore.
 - Nella modalità RISCALDAMENTO la temperatura di riferimento diminuirà automaticamente in tre fasi e sarà diminuita di 3°C dopo due ore.
 - La funzione sonno è disponibile soltanto nella modalità RAFFR o RISC.
2. Premere di nuovo il tasto SLEEP per disattivare la funzione sonno.

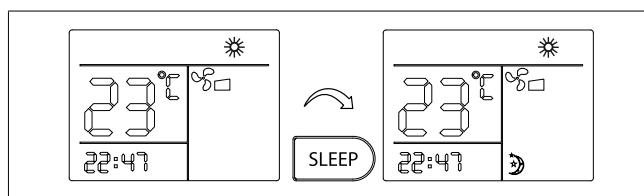


Fig. 47 Impostazione della funzione sonno

6.14 Modifica delle unità di temperatura

Premere il tasto °C/°F per selezionare l'unità di temperatura che si desidera visualizzare: Celsius o Fahrenheit.

- È possibile fare questo in qualsiasi modalità.
- Il display sul diffusore dell'aria segue la selezione effettuata sul telecomando.

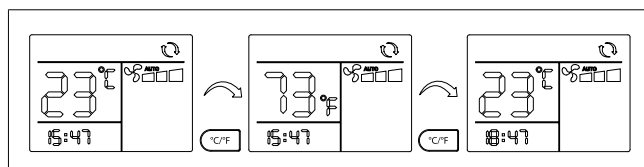


Fig. 48 Selezione Celsius/Fahrenheit

6.15 Ripristino del telecomando

Per riportare il telecomando alle impostazioni di fabbrica:

1. Rimuovere e reinserire le pile. Vedere anche capitolo 7.2, "Pile del telecomando" a pagina 82.
2. Impostare nuovamente l'orario. Vedere capitolo 6.10, "Impostazione dell'ora del sistema" a pagina 80.
3. Attivare nuovamente il timer se in uso. Vedere capitolo 6.12, "Attivazione del timer" a pagina 81.

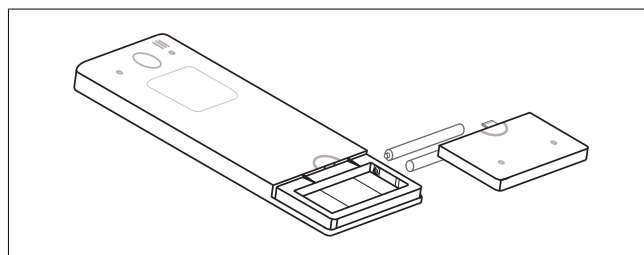



Fig. 49 Ripristino del telecomando

6.16 Funzionamento del diffusore dell'aria senza telecomando

Con il tasto touch sul display del diffusore dell'aria è possibile controllare le funzioni base del condizionatore. Ciò è utile se non si riesce a trovare subito il telecomando oppure se le pile sono scariche.

1. Premere il tasto touch  sul display del diffusore dell'aria. A ogni tocco si scorre attraverso le modalità: OFF, COOL, FAN, HEAT (spento/raffreddamento/ventilatore/riscaldamento).

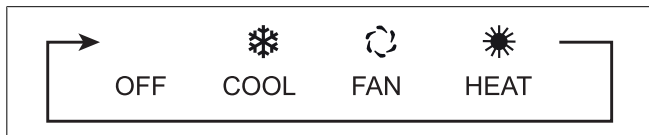


Fig. 50 Impostazione della modalità di funzionamento

- In modalità raffreddamento e riscaldamento la temperatura di riferimento viene impostata automaticamente a 24 °C e la velocità del ventilatore su ALTA.
2. Usare il telecomando per selezionare un'altra temperatura o velocità del ventilatore.
 3. Non è possibile selezionare la modalità AUTO sul distributore d'aria, ma il display mostrerà l'icona "Modalità auto" nell'angolo in alto a destra se questa è stata selezionata tramite il telecomando.

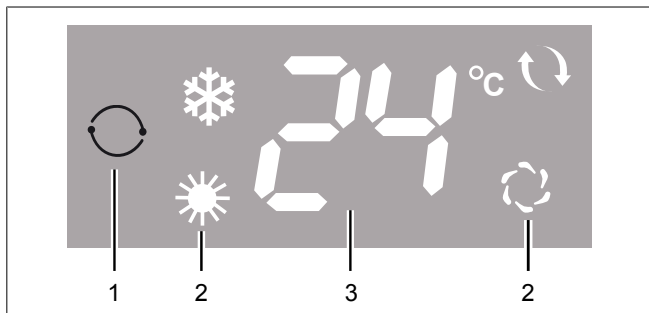


Fig. 51 Display del diffusore dell'aria

1	Pulsante touch
2	Simboli modalità di funzionamento
3	Indicatore di temperatura

6.17 Regolazione delle uscite dell'aria

Regolare la direzione e l'angolo di uscita dell'aria, muovendo un'aletta attorno all'asse. Le tre alette si muovono insieme.



Fig. 52 Regolazione delle uscite dell'aria

7 Manutenzione

7.1 Filtro dell'aria

È necessario effettuare la manutenzione periodica dei filtri dell'aria di ritorno.

- Controllare e pulire i filtri ogni settimana, se in uso, per evitare che vengano bloccati dalla sporcizia.
- I filtri vanno lavati con frequenza al fine di garantire un raffreddamento e un riscaldamento efficace.

1. Estrarre i filtri (1) dal diffusore d'aria (2).
2. Pulire i filtri con acqua calda e un detergente.
3. Lasciarli asciugare prima di installarli di nuovo.

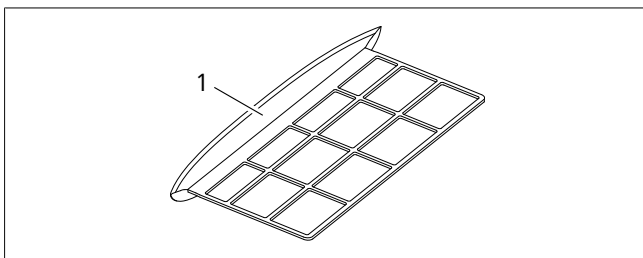


Fig. 53 Filtro dell'aria

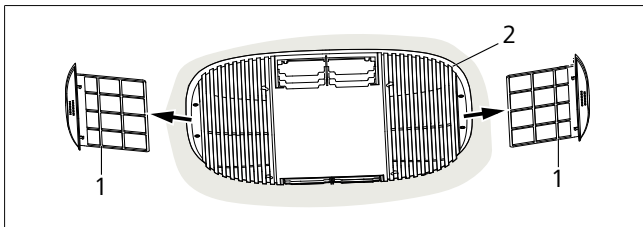


Fig. 54 Rimozione dei filtri dell'aria



AVVERTENZA

I filtri di ricambio possono essere ordinati separatamente.

Non far funzionare mai il condizionatore senza filtri. Ciò può causare delle incrostazioni sullo scambiatore di calore e portare a una perdita di potenza.

7.2 Pile del telecomando

- Sostituire le pile del telecomando (2 x AAA) quando il display del telecomando diventa illeggibile e/o sfocato.
- Se il telecomando non viene usato per molto tempo, rimuovere le pile al fine di prevenire danni al telecomando dovuti a fuoriuscite del liquido dalle pile.

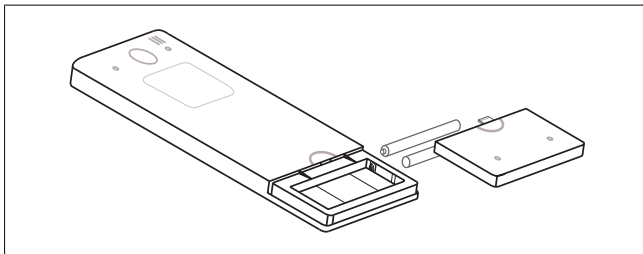



Fig. 55 Pile del telecomando

Vedere anche capitolo 6.15, "Ripristino del telecomando" a pagina 81.

	<p>Tutte le pile e i dispositivi elettronici sono soggetti alla Direttiva Europea 2006/66/CE o 2002/96/CE e successive e non devono essere smaltiti insieme ai rifiuti domestici. Consultare anche il sito https://eur-lex.europa.eu/advanced-search-form.html.</p> <p>Ogni consumatore è obbligato per legge a smaltire le pile e le apparecchiature elettroniche solo nei bidoni di riciclaggio contrassegnati in un punto di raccolta. Il reso è gratuito.</p>
---	---

Vedere anche: capitolo 9, "Smaltimento" a pagina 84.

7.3 Controllo bulloni

Controllare la rigidità dei quattro bulloni che mantengono l'unità al tetto 3 mesi dopo la prima installazione del prodotto.

Ispezionare regolarmente questi bulloni almeno ogni 12 mesi.

Se necessario, serrarli di nuovo a 7 Nm.

7.4 Uso regolare

Webasto consiglia di far funzionare regolarmente il condizionatore per garantirne ottime prestazioni. Avviare l'unità per almeno 20-30 min ogni 6 mesi.

7.5 Pulizia

Rimuovere regolarmente foglie o altra sporcizia dalle griglie di ventilazione dell'unità esterna.

- Pulire regolarmente l'unità con un panno morbido e umido e del sapone delicato.
- Pulire il tetto del veicolo a intervallo regolari. Un tetto sporco si scalda di più rispetto a un tetto pulito.



CAUTELA

- ▶ Non utilizzare mai gli autolavaggi automatici con un condizionatore installato sul tetto.
- ▶ Non utilizzare un'idropulitrice per pulire le aperture dell'unità.
- ▶ Non utilizzare pulitori con acqua calda o a vapore.
- ▶ Non utilizzare oggetti affilati e duri per la pulizia.
- ▶ Non utilizzare mai petrolio, diesel, solventi o detersivi aggressivi.

7.6 Scambiatori di calore

Almeno una volta all'anno, gli scambiatori di calore devono essere puliti da un centro specializzato.

8 Diagnostica

Problema	Azione
Non viene visualizzato alcun diffusore di aria quando l'unità è ACCESA.	Verificare se: <ul style="list-style-type: none"> ● il veicolo è alimentato da corrente e gli interruttori sono accesi. ● la pila del telecomando è OK. ● il telecomando è spento. ● la tensione è troppo bassa. ● l'ampereaggio dell'interruttore nell'alimentazione esterna è troppo basso.
Raffreddamento non disponibile.	Verificare che la modalità di raffreddamento sia selezionata e che il display del distributore d'aria indichi:  <p>Utilizzare il telecomando per impostare la temperatura necessaria al di sotto dell'attuale temperatura ambiente. Il compressore ritarderà il riavvio per 3 minuti.</p>
Riscaldamento non disponibile.	Verificare che la modalità di riscaldamento sia selezionata e che il display del distributore d'aria indichi:  <p>Utilizzare il telecomando per impostare la temperatura necessaria al di sopra dell'attuale temperatura ambiente. Ci vorrà più tempo per avviare il riscaldamento in condizioni estremamente fredde. Quando l'unità è in modalità riscaldamento e la temperatura esterna è molto bassa, l'unità potrebbe entrare automaticamente in modalità sbrinamento. Il riscaldamento si interromperà temporaneamente, in quanto l'unità riscalda lo scambiatore di calore esterno per rimuovere gelo e ghiaccio. Il riscaldamento riprenderà un volta che lo scambiatore di calore esterno sarà stato riabilitato. Durante lo sbrinamento l'unità mostrerà "dF".</p>
Capacità di raffreddamento ridotta.	Assicurarsi che il filtro sia pulito. Aumentare la velocità del ventilatore su alta per ottenere la capacità massima. Assicurarsi che tutte le porte e le finestre nonché il tetto apribile siano chiusi. Utilizzare tende e parasole per ridurre il carico termico. Verificare che le uscite dell'aria dell'unità esterna non siano sporche o bloccate.
L'acqua gocciola dal diffusore dell'aria.	Sbloccare le uscite della condensa dell'unità esterna. Controllare la guarnizione del telaio adattatore. Parcheggiare il veicolo in posizione più orizzontale con un angolo < 5° (8,8%). Se si forma della condensa all'esterno del diffusore dell'aria, aumentare la velocità del ventilatore.
Codici di errore visualizzati sul pannello:	
-	Se, durante l'alimentazione con generatore, è presente uno "0" o il display presenta indicazioni confuse, ciò potrebbe indicare un'instabilità di voltaggio e corrente.
E0	Errore di comunicazione.
E1	Guasto del sensore di temperatura ambiente.
E2	Guasto del sensore di temperatura dello scambiatore di calore interno.
E3	Guasto del sensore di temperatura dello scambiatore di calore esterno.
E4	Nessun effetto rinfrescante. Possibili cause principali sono: <ul style="list-style-type: none"> ● Quantità di refrigerante insufficiente dovuta alla rottura dei tubi.

Problema	Azione
	<ul style="list-style-type: none"> ● Guasto al compressore. ● Guasto del sensore.
E5	Temperatura dello scambiatore di calore esterno troppo alta / anomalia della temperatura. Anomalia della temperatura: la temperatura dello scambiatore di calore esterno è troppo alta durante il raffreddamento o troppo bassa durante il riscaldamento. (Durante il raffreddamento, la visualizzazione di E5 indica che la temperatura esterna supera i 64°C. Probabilmente, è dovuto alla riduzione del flusso d'aria del condensatore, al funzionamento ridotto del ventola del condensatore o al guasto del sensore; durante il riscaldamento, se la temperatura esterna è maggiore di 18°C, la ventola esterna potrebbe accendersi e spegnersi ripetutamente. Il verificarsi di tutto questo non indica un guasto, bensì l'autoprotezione del sistema per evitare il surriscaldamento dell'unità.)
dF	Non è un guasto. Durante il funzionamento in modalità riscaldamento con basse temperature ambiente, l'unità eseguirà periodicamente lo sbrinamento dello scambiatore di calore esterno. Il diffusore dell'aria mostra "dF" durante l'operazione di sbrinamento e, al termine dello sbrinamento, tornerà in modalità riscaldamento.



AVVERTENZA

Prima di contattare il supporto tecnico di Webasto, si prega di raccogliere le seguenti informazioni.

- ▶ Vengono visualizzati codici di errore?
- ▶ Il display del diffusore dell'aria funziona normalmente oppure no?
- ▶ Mostra un temperature compresa tra 16 e 30°C?
- ▶ Riesce a regolare la temperatura di riferimento in modalità raffreddamento o riscaldamento?
- ▶ Sul display viene visualizzato uno "0"?
- ▶ Il display presenta indicazioni confuse?
- ▶ In modalità ventilazione, c'è un flusso d'aria che proviene dalle uscite del diffusore dell'aria?
- ▶ Riesce a sentire il compressore che si avvia e si spegne in modalità riscaldamento o raffreddamento?

⇒ Il tuo supporto nella raccolta di queste informazioni sarà di grande aiuto per il team di assistenza nel risolvere i problemi.
Grazie!

9 Smaltimento



Smaltire il materiale da imballaggio in conformità delle norme vigenti, separandolo per la raccolta differenziata.

Quando il sistema ha raggiunto il termine della vita, non può essere smaltito come un normale rifiuto. Assicurarsi di smaltire il sistema in conformità con tutte le regole e le normative locali e nazionali in vigore. Per ottenere maggiori informazioni rivolgersi presso il Comune, la stazione di raccolta differenziata e/o il rivenditore locale Webasto.

Ogni consumatore è obbligato per legge a smaltire le pile e le apparecchiature elettroniche solo nei bidoni di riciclaggio contrassegnati in un punto di raccolta. Il reso è gratuito.

Vedere anche: capitolo 7.2, "Pile del telecomando" a pagina 82.

10 Specifiche tecniche

Parametro	Valore		Parametro	Valore	
	CTT 20	CTT 24		CTT 20	CTT 24
Nome prodotto	Cool Top Trail 20/24		Raffreddamento possibile a temperature ambiente	da 16 °C a 50 °C	
Nome modello produttore	Belaire H2000/H2400		Pressione di progetto massima	2900 kPa	
Alimentazione	220-240 V/50 Hz		Pressione di progetto minima	1840 kPa	
Capacità nominale di raffreddamento	2000 W	2400 W	Flusso d'aria massimo	310 m ³ /h	
Capacità nominale di riscaldamento	2000 W	2400 W	Peso unità esterna	28 kg netti	29 kg netti
Potenza in ingresso per raffreddamento	700 W	950 W	Peso unità interna	2,8 kg netti	
Potenza in ingresso per riscaldamento	600 W	850 W	Refrigerante utilizzato	R407C/470 g	R407C/450 g
Corrente nominale per raffreddamento	3,0A	4,2A	Potenziale di riscaldamento globale (GWP)	1774	
Corrente nominale per riscaldamento	2,6A	3,8A	CO ₂ equivalente	834 kg	798 kg
Potenza massima in ingresso	800 W	1040 W	Angolo massimo di inclinazione del veicolo durante il funzionamento	5° (=8,8%)	
Corrente massima	3,5A	4,5A	Dimensioni	See Fig. 7 / Fig. 8	
Funzionamento a temperature ambiente	da -5 °C a +50 °C		Grado di protezione dell'alloggiamento IP	IP24	



AVVERTENZA

Tutti i parametri elencati sono soggetti a modifiche senza preavviso e prevarranno le specifiche indicate sulle targhette che indicano il tipo di unità. Tutti i valori sono approssimativi e soggetti a modifiche.

11 Schema elettrico

IT

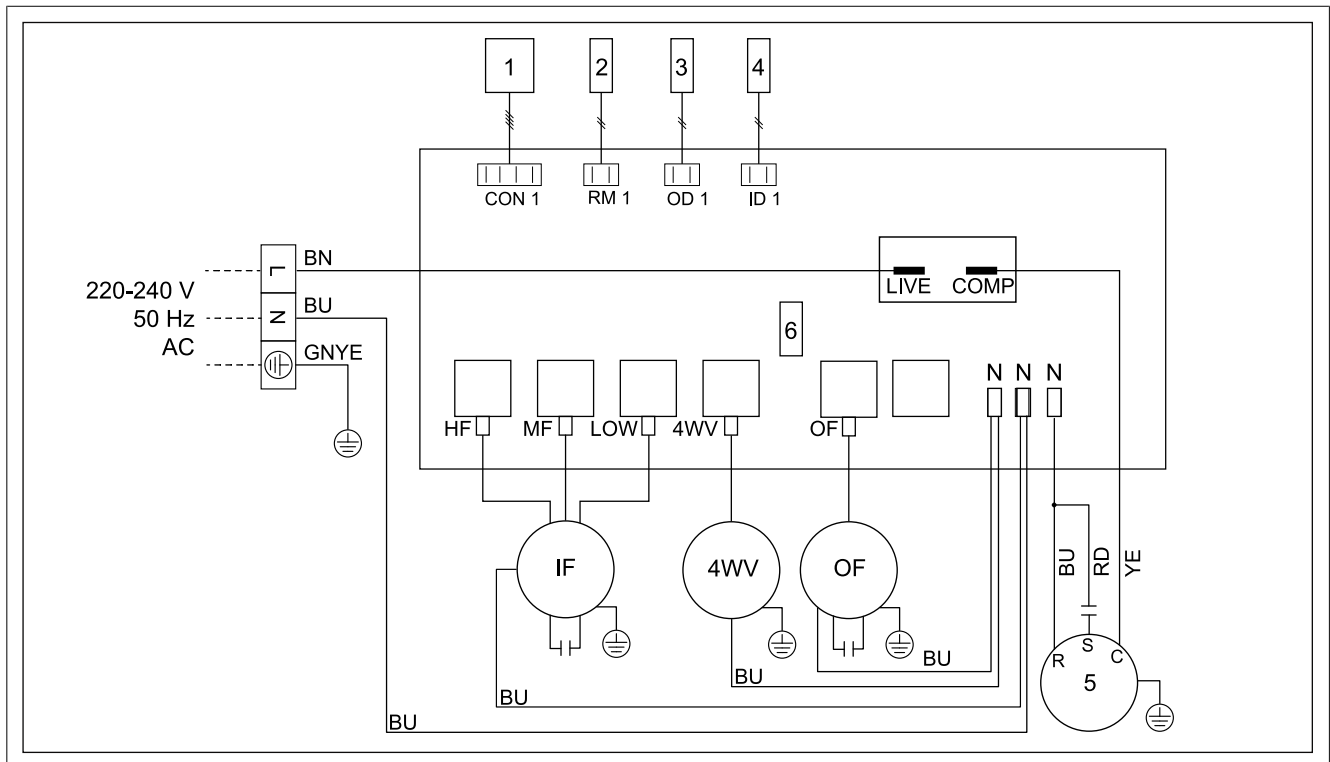


Fig. 56 Schema elettrico

Articolo	Descrizione
1	Pannello di comando
2	Sensore ambiente
3	Sensore dello scambiatore di calore esterno
4	Sensore dello scambiatore di calore interno
5	Compressore
6	Fusibile 5x20mm, 250V, T5AL o T5AH

Articolo	Descrizione
4WV	Valvola di inversione a 4 vie
ID	InDoor (sensore)
IF	Ventilatore interno
OD	OutDoor (sensore)
OF	Ventilatore esterno
HF	Alto
MF	Medio
LOW	Basso

Codice cavo	Colore cavo
BN	Marrone
BU	Blu
GNYE	Verde-Giallo
RD	Rosso
YE	Giallo

Índice de contenidos

1	Introducción	88	7	Mantenimiento	103
1.1	Uso de símbolos y advertencias	88	7.1	Filtro de aire	103
1.2	Garantía y responsabilidad	88	7.2	Pilas del mando a distancia	103
2	Seguridad	89	7.3	Inspección de los pernos	104
2.1	Uso previsto	89	7.4	Uso regular	104
2.2	Información de seguridad	89	7.5	Limpieza	104
2.3	Cualificación del personal	89	7.6	Intercambiadores de calor	104
3	Alcance del suministro	90	8	Resolución de problemas	105
4	Conectores necesarios para el CI-BUS	90	9	Eliminación	105
5	Instrucciones de montaje	90	10	Especificaciones técnicas	107
5.1	Generalidades	90	11	Esquema de cableado	108
5.2	Requisitos de montaje	91		Declaraciones de conformidad	151
5.3	Distintos tamaños de recorte	91			
5.4	Posición de montaje	91			
5.5	Refuerzos del techo	92			
5.6	Alimentación eléctrica	92			
5.7	Cable(s) de CI-BUS	93			
5.8	Instalar el bastidor adaptador	93			
5.9	Instalación de la unidad exterior	94			
5.10	Conexión de la alimentación eléctrica	94			
5.11	Instalación del soporte de montaje del distribuidor de aire	94			
5.12	Conexión del conducto de entrada de aire	95			
5.13	Conexión de los cables de la unidad interior y la unidad exterior	95			
5.14	Conexión de los cables de CI-BUS	95			
5.15	Instalación del conjunto del distribuidor de aire	96			
5.16	Instalación del soporte del mando a distancia	97			
5.17	Comprobación del sistema	97			
6	Instrucciones de uso	98			
6.1	Antes del uso	98			
6.2	Como calefactar y refrigerar de forma efectiva	98			
6.3	Cómo afrontar la condensación	98			
6.4	Selección y uso de un grupo electrógeno o inversor	98			
6.5	Uso del mando a distancia	99			
6.6	Encendido y apagado de la unidad	100			
6.7	Ajuste de la temperatura	100			
6.8	Ajuste de la velocidad del ventilador	100			
6.9	Selección del modo de funcionamiento	100			
6.10	Ajuste del reloj del sistema	101			
6.11	Ajuste del temporizador	101			
6.12	Activación del temporizador	102			
6.13	Ajuste de la función de sueño	102			
6.14	Cambio de las unidades de temperatura	102			
6.15	Restablecer el mando a distancia	103			
6.16	Uso del distribuidor de aire sin el mando a distancia	103			
6.17	Ajuste de las salidas de aire	103			

1 Introducción

Las presentes instrucciones de uso y montaje forman parte del producto y contienen toda la información necesaria para asegurar una instalación y un uso correctos y seguros.

- ▶ Lea estas instrucciones antes de montar y utilizar la unidad.
- ▶ Conserve siempre a mano estas instrucciones.
- ▶ Haga llegar estas instrucciones al siguiente propietario o usuario de la unidad.

- Daños causados por condiciones ambientales anormales o por condiciones de uso inadecuadas.
- Daños resultantes de un transporte inadecuado.

1.1 Uso de símbolos y advertencias



PELIGRO

Esta palabra de advertencia señala un peligro con un nivel de riesgo **elevado** que, si no se evita, puede provocar lesiones graves o la muerte.



ADVERTENCIA

Esta palabra de advertencia señala un peligro con un nivel de riesgo **moderado** que, si no se evita, puede provocar lesiones leves o moderadas.



PRECAUCIÓN

Esta palabra de advertencia señala un peligro con un nivel de riesgo **bajo** que, si no se evita, puede provocar lesiones leves o moderadas.



NOTA

Este símbolo indica una característica técnica especial o (si no se tiene en cuenta) un posible daño al producto.



Este símbolo hace referencia a otros documentos que pueden formar parte del suministro o pueden solicitarse a Webasto.

- ✓ Requisito para la siguiente instrucción

1.2 Garantía y responsabilidad

Se aplica el plazo de garantía legal. Si el producto está defectuoso, póngase en contacto con un representante del servicio técnico de Webasto en su país. Puede encontrar al distribuidor más cercano en la siguiente dirección:

<https://dealerlocator.webasto.com/es-es>

Nuestros expertos le ayudarán con gusto y le explicarán con más detalle el proceso de garantía.

Webasto no asume ninguna responsabilidad por defectos o daños resultantes del incumplimiento de las instrucciones de montaje y uso. Esta exención de responsabilidad se aplica especialmente a:

- Montaje por parte de personal no capacitado.
- Uso inadecuado.
- Reparaciones que no hayan sido llevadas a cabo por un taller de servicio de Webasto.
- Uso de piezas no originales.
- Modificaciones de la unidad sin el consentimiento de Webasto.
- Daños mecánicos al equipo.
- Incumplimiento de las instrucciones de uso y montaje.
- Incumplimiento de las instrucciones de inspección y mantenimiento.
- Uso con niveles de tensión distintos de los especificados en los datos técnicos.
- Daños en el mando a distancia como resultado de fugas en las pilas.
- Daños derivados del contacto con sustancias inadecuadas, como productos químicos y agentes limpiadores inadecuados.

2 Seguridad

2.1 Uso previsto

El Cool Top Trail 20 - 24 se ha diseñado para su montaje en caravanas o autocaravanas, así como en vehículos con compartimentos habitables.

El Cool Top Trail 20 - 24:

- No es adecuado para su instalación en máquinas de construcción, máquinas agrícolas ni equipamiento similar.
- No se ha concebido para ser utilizado en embarcaciones ni para estar expuesto a vibraciones elevadas.
- No es adecuado para casas ni apartamentos.
- No se debe hacer funcionar en vehículos mientras estén en movimiento.

2.2 Información de seguridad



PELIGRO

Peligro de electrocución

- ▶ Apague siempre la alimentación eléctrica y desconecte el suministro eléctrico antes de trabajar en el sistema.
- ▶ Asegúrese de que la toma externa de alimentación eléctrica del vehículo esté conectada debidamente a tierra, de conformidad con los reglamentos locales aplicables.
Si la unidad no está conectada correctamente a tierra, pueden producirse descargas eléctricas o incendios.
- ▶ Inspeccione el sistema de aire acondicionado para detectar cualquier corriente de fuga tras el montaje.
- ▶ Apague inmediatamente el aire acondicionado y aisle la alimentación eléctrica si detecta cualquier olor inusual, humo o fuego.
- ▶ El fusible del aire acondicionado, de tipo T 5 A, 250 V, se encuentra en la unidad de mando electrónica. Solo se debe sustituir por un fusible idéntico.



PELIGRO

Peligro de lesiones o muerte

- ▶ No utilice el aire acondicionado cerca de fluidos inflamables ni en espacios cerrados.
- ▶ Asegúrese de no almacenar ni instalar ningún objeto combustible cerca de la salida de aire. Deje un espacio libre de al menos 50 cm.
- ▶ No introduzca las manos en las aberturas de aire ni introduzca ningún objeto extraño en el aire acondicionado. No haga funcionar el aire acondicionado sin su tapa.
- ▶ En caso de incendio, no retire ni abra la tapa superior del aire acondicionado. En lugar de ello, utilice agentes extintores adecuados. No utilice agua para extinguir el incendio.
- ▶ El aire acondicionado debe quedar instalado firmemente, de modo que se mantenga bien sujeto al techo.
- ▶ Durante la instalación, utilice siempre las prendas protectoras recomendadas, como gafas protectoras y guantes.
- ▶ Antes de subir al techo del vehículo, cerciórese de que sea capaz de soportar el peso del instalador y del aire acondicionado.



PRECAUCIÓN

- ▶ Puede haber cables encima del techo interior. Al cortar el techo, asegúrese de que el suministro eléctrico esté desconectado para evitar riesgos de descarga eléctrica.
- ▶ No pulverice pinturas ni insecticidas sobre la superficie del aire acondicionado.
- ▶ Si la unidad está equipada con luces, las luces led se deben conectar únicamente al cable de alimentación de CC disponible en la unidad de aire acondicionado. La conexión a cualquier otra fuente de alimentación podría dañar las luces led.
- ▶ Los dispositivos eléctricos no son juguetes. Mantenga todos los aparatos eléctricos fuera del alcance de los niños o las personas que sufran limitaciones. Las personas con discapacidades físicas, sensoriales o mentales y aquellas cuya falta de experiencia y conocimientos no les permita usar el aparato de forma segura, no deben utilizar el aparato sin la supervisión o las instrucciones de una persona responsable.
- ▶ Jamás pase por lavacoques automáticos con un aire acondicionado de techo instalado.
- ▶ Si se produce alguna avería en el circuito de refrigerante del aire acondicionado, una empresa especializada debe revisar el aparato y realizar las reparaciones oportunas. Jamás se debe liberar el refrigerante a la atmósfera.



NOTA

- ▶ Mantenga despejadas la entrada y la salida de aire de las unidades interior y exterior del aire acondicionado.
- ▶ Aíse la alimentación eléctrica si no utiliza el aire acondicionado durante un periodo prolongado.
- ▶ Instale el aire acondicionado de conformidad con las instrucciones de este manual. Un método de instalación incorrecto o la alteración del producto podrían causar daños al producto o lesiones al usuario.
- ▶ Limpie regularmente el filtro del aire acondicionado.
- ▶ La suciedad del filtro reduce el caudal de aire y reduce el rendimiento de calefacción y refrigeración.
- ▶ Pregunte al fabricante del vehículo si se requiere una inspección técnica tras la instalación del aire acondicionado y si es necesario modificar la altura del vehículo que consta en la documentación del mismo.
- ▶ Apague el aire acondicionado mediante el interruptor principal solo en caso de peligro.
- ▶ Contacte con el personal de servicio posventa en caso de averías en la unidad.

2.3 Cualificación del personal

El personal de instalación y mantenimiento debe:

- Contar con las cualificaciones correspondientes para trabajar en sistemas técnicos/eléctricos.
- Estar certificado para trabajar en sistemas de refrigeración y aire acondicionado.
- Disponer de autorizaciones en vigor para los trabajos descritos en el presente documento.

3 Alcance del suministro

El sistema se entrega en 2 paquetes.

Por favor, inspeccione la entrega para verificar que esté completa y no presente daños.

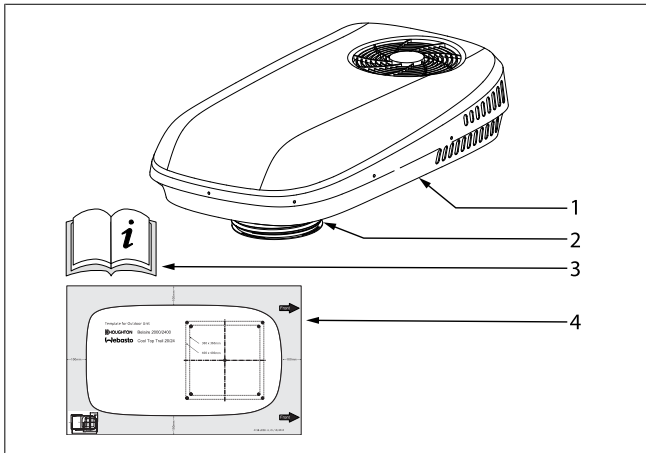


Fig. 1 Unidad exterior

Pos.	Descripción	Cantidad
1	Unidad exterior	1
2	Conducto de entrada de aire	1
3	Instrucciones de uso y montaje	1
4	Plantilla para la unidad exterior	1

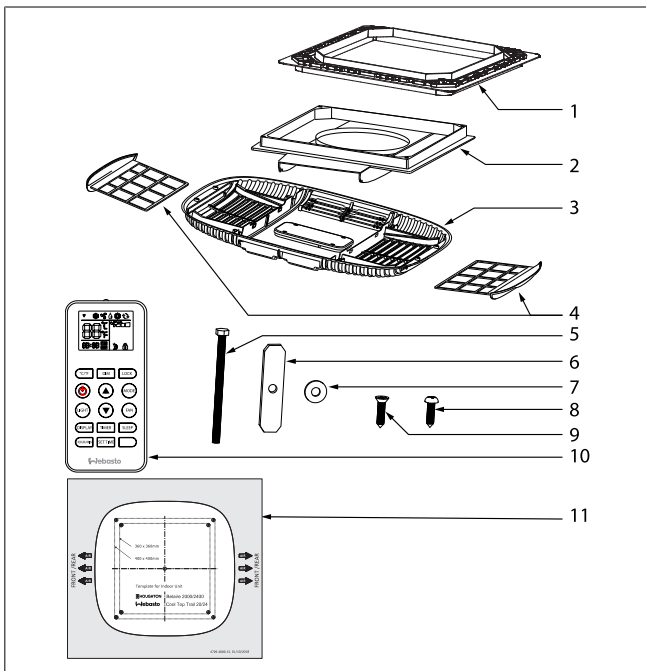


Fig. 2 Unidad interior

Pos.	Descripción	Cantidad
1	Bastidor adaptador	1
2	Soporte de montaje del distribuidor de aire	1
3	Distribuidor de aire	1
4	Filtro de aire de retorno	2
5	Perno con cabeza hexagonal M8x120 mm	4
6	Pletina de abrazadera de metal	4
7	Arandela M8 grande	4
8	Tornillo de cabeza de lenteja del distribuidor de aire ST4.2*19	4

Pos.	Descripción	Cantidad
9	Tornillo rosca chapa con cabeza avellanada ST4.2*16-C	6
10	Mando a distancia con soporte y pilas (2 x tamaño AAA)	1
11	Plantilla para la unidad interior	1

4 Conectores necesarios para el CI-BUS

NOTA
Este capítulo solo es de aplicación si la unidad interior Cool Top Trail 20 - 24 está equipada con una unidad CI-BUS y esta unidad CI-BUS necesita estar conectada a un sistema externo de CI-BUS.

La unidad CI-BUS debe estar conectada al sistema de CI-BUS de la caravana, autocaravana o vehículo con compartimentos habitables.

Para ello, es necesario instalar un cable de CI-BUS entre el sistema de CI-BUS y la unidad CI-BUS situada en el Cool Top Trail 20 - 24. Este cable no se incluye en el alcance de suministro.

En caso de que haya dos unidades de aire acondicionado Cool Top Trail, se deberá instalar un cable de CI-BUS de interconexión entre las unidades CI-BUS situadas en las unidades de aire acondicionado. Este cable no se incluye en el alcance de suministro.

Los cables de CI-BUS deben estar equipados con conectores Molex. Estos conectores se montan con los componentes que se enumeran y muestran a continuación. Dichos componentes no se incluyen en el alcance de suministro:

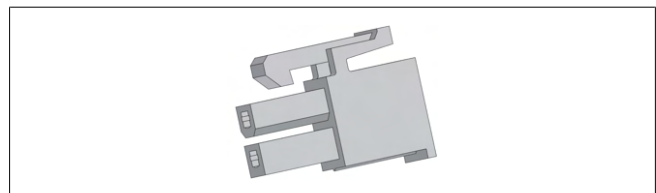


Fig. 3 Carcasa

Carcasa de enchufe Molex Mini-Fit Jr., fila doble, 2 circuitos, UL 94V-2, natural

Número de pieza Molex:
39012020 (ingeniería / antiguo n.º de pza.: 5557-02R)



Fig. 4 Terminal de engaste

Terminal de engaste hembra Molex Mini-Fit, estaño (Sn) sobre latón chapado en cobre (Cu)

Número de pieza Molex (seleccionar un tipo):
39000038 / (ingeniería / antiguo n.º de pza.: 5556T)
39000046 / (ingeniería / antiguo n.º de pza.: 5556T2)
39000059 / antiguo n.º de pza.: 5556PBT

5 Instrucciones de montaje

5.1 Generalidades

- Lea y comprenda en su totalidad este manual antes del montaje.
- No incorpore ninguna otra pieza ni modifique el producto durante el montaje.

- Consulte a Webasto o al distribuidor local en caso de aplicaciones inusuales o condiciones de montaje no cubiertas específicamente por este manual.

**ADVERTENCIA**

Si hay un tubo de escape de calefactor instalado a través del techo, cerca de la unidad de A/A, el tubo de escape se debe prolongar para que supere en 10 cm la altura de la unidad de A/A.

5.2 Requisitos de montaje

- El techo del vehículo debe ser capaz de soportar el peso del aire acondicionado.
- El grosor mínimo del techo es de 25 mm; el grosor máximo del techo es de 70 mm.
- El techo debe estar nivelado y liso.

5.3 Distintos tamaños de recorte

La instalación se puede llevar a cabo con distintos tamaños de recorte.

Para la instalación en una claraboya de techo de 400 x 400 mm:

1. Desmonte la claraboya de techo y utilice el recorte que queda libre.
2. Elimine los restos de sellante y corrija cualquier deformación.
3. Rellene los orificios para tornillos con un sellador de butilo para carrocerías que sea flexible y no se endurezca.
4. El bastidor adaptador para recortes de 400x400 mm forma parte del alcance del suministro.

Para la instalación en una claraboya de techo de 360 x 360 mm:

1. Desmonte la claraboya de techo y utilice el recorte que queda libre. Si no ha adquirido una unidad con un bastidor adaptador de 360 x 360, deberá comprar el bastidor adaptador opcional para dicho tamaño de recorte. Puede usarlo en lugar del bastidor adaptador de 400 x 400 mm.
2. Elimine los restos de sellante y corrija cualquier deformación.
3. Rellene los orificios para tornillos con sellador flexible para carrocerías de butilo sin endurecimiento.

Para realizar un nuevo recorte:

Deberá crear un recorte en el techo que se ajuste al tamaño del bastidor adaptador.

Pregunte al fabricante del vehículo el modo y el lugar más adecuados para realizar un nuevo recorte.

5.4 Posición de montaje

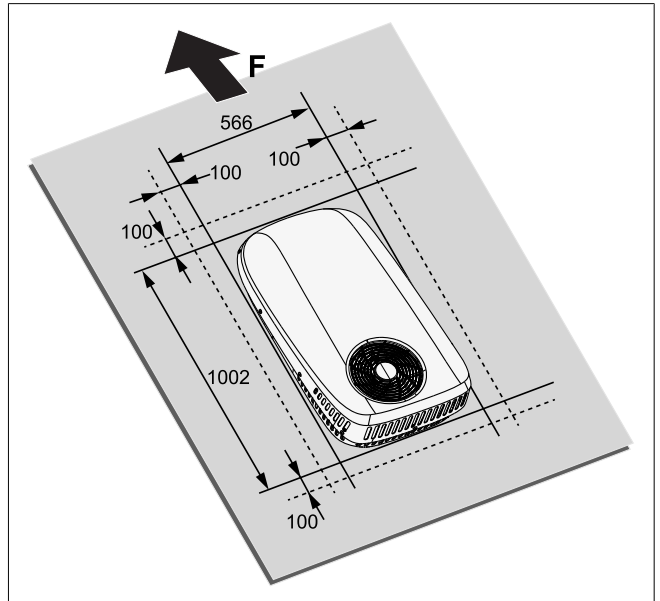


Fig. 5 Dirección de montaje de la unidad exterior

Antes de la instalación, considere la posición de montaje:

- La posición prevista no debe interferir con estructuras o cables ya existentes.
- La unidad de aire acondicionado se debe montar lo más cerca posible del centro del techo.
- La posición de montaje de la unidad exterior debe corresponderse con la dirección de desplazamiento (F) del vehículo.
- Asegúrese de que haya suficiente espacio en el interior del vehículo para montar el distribuidor de aire.
- Tenga en cuenta la posición de montaje del distribuidor de aire y asegúrese de que sus salidas estén separadas al menos 400 mm de armarios, paredes laterales y paredes de separación que podrían redirigir el aire acondicionado hacia la admisión del aire de retorno. Si alguna salida queda a menos de 400 mm de un obstáculo, se debe tapar y sellar. De lo contrario, la unidad realizará ciclos frecuentes de encendido y apagado.
- El recorte debe evitar en la medida de lo posible las juntas del revestimiento del techo.
- Elija una posición de montaje situada entre dos soportes o secciones longitudinales si es posible.
- Debe quedar un espacio libre mínimo de 100 mm alrededor de la unidad de techo para garantizar un flujo de aire adecuado y el acceso para mantenimiento.

**ADVERTENCIA**

Si el aire acondicionado sustituye a una claraboya con función de ventilación de seguridad, deberá garantizar que la ventilación de seguridad se restablezca en otro punto.

**NOTA**

El ángulo de inclinación del aire acondicionado no debe superar los 5° (= 8,8 %), y la parte posterior del aire acondicionado no debe quedar más alta que la parte delantera.

Las siguientes figuras (Fig. 6, Fig. 7 y Fig. 8) muestran el espacio de montaje necesario para la unidad exterior y el distribuidor de aire del interior, para los dos tamaños de recorte diferentes. Centre el distribuidor de aire utilizando el recorte.



NOTA

Todas las dimensiones se expresan en mm, salvo que se indique lo contrario.

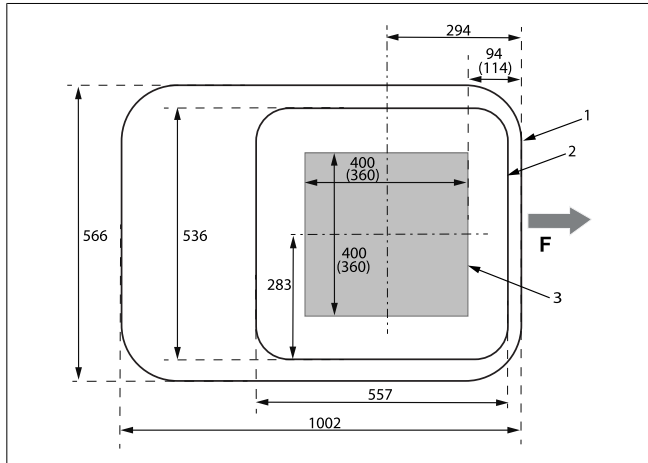


Fig. 6 Medidas de montaje (vista superior/inferior)

1	Posición de la unidad exterior
2	Posición del distribuidor de aire
3	Recorte cuadrado
F	Dirección de desplazamiento

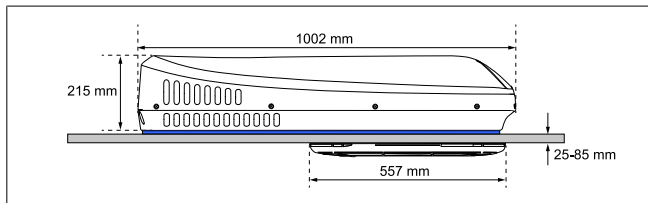


Fig. 7 Medidas de montaje (vista lateral)

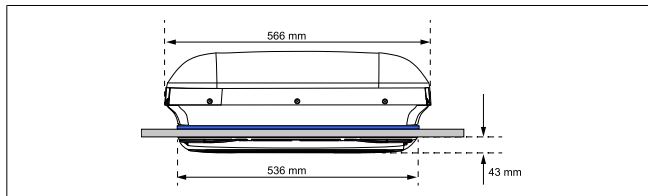


Fig. 8 Medidas de montaje (vista frontal)

5.5 Refuerzos del techo

Deberá reforzar el recorte con un bastidor de madera a base de listones de, al menos, 20 mm de anchura. Es posible que tenga que retirar previamente el material aislante.

La finalidad del bastidor de refuerzo es garantizar que el techo no se comprima por efecto de los pernos de montaje y que no entre aire acondicionado en el espacio del techo.

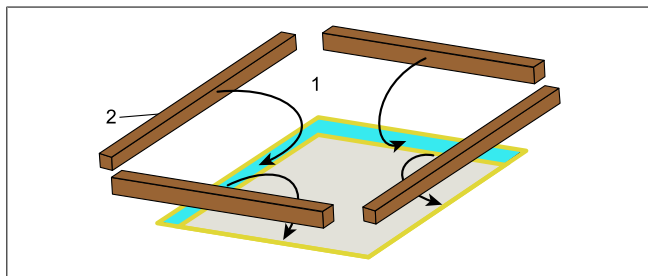


Fig. 9 Refuerzo de techo

1	Techo
2	Listones de madera

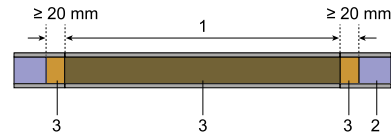


Fig. 10 Recorte con refuerzo de madera

1	Recorte
2	Aislamiento del techo
3	Listones de madera

5.6 Alimentación eléctrica



ADVERTENCIA

Peligro de electrocución

Antes de trabajar en componentes alimentados por electricidad, asegúrese de que dichos componentes estén sin tensión. Asegúrese de que la alimentación eléctrica de la red o la procedente de los inversores esté desconectada.



NOTA

La conexión eléctrica a 230 V solo debe ser realizada por electricistas cualificados (en el caso de Alemania, por ejemplo, de conformidad con el reglamento VDE 0100, artículo 721 o la norma IEC 60364-7-721). Al realizar la conexión a la red eléctrica, es responsabilidad del instalador garantizar que se cumplan los reglamentos locales en materia de cableado.

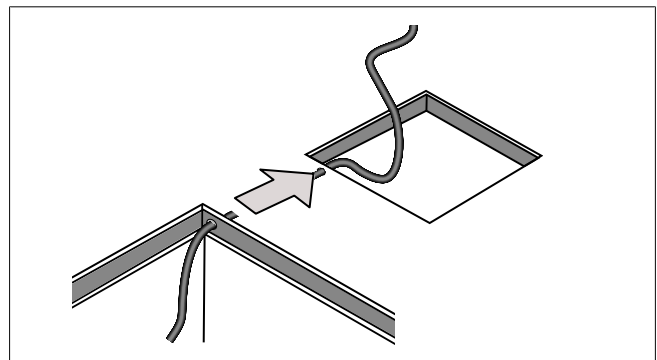


Fig. 11 Cable de alimentación eléctrica

1. Asegúrese de que la alimentación eléctrica de 230 V esté conectada a un dispositivo diferencial.
2. Instale un interruptor automático con una separación de contacto de al menos 3,5 mm y aislamiento en todos los polos para proteger el cable de alimentación eléctrica a la unidad de A/A y para permitir los trabajos de mantenimiento y reparación en la unidad.
3. Prevea un cable de alimentación eléctrica de 230 V~ que llegue hasta el recorte.
4. Otra posibilidad es guiar el cable de alimentación eléctrica a través del aislamiento del techo, tal y como se muestra más arriba.
5. Taladre un orificio en el listón de madera para hacer pasar el cable de alimentación eléctrica.
6. Encamine el cable de alimentación eléctrica por el orificio del listón de madera antes de montar el listón.
7. Conecte y tienda los cables de forma que se eviten tropiezos o daños.
8. Utilice prensaestopas para el paso de los cables por paredes que presenten bordes cortantes.

- Respete las secciones transversales mínimas de cable que correspondan al consumo de corriente de la unidad.
- No tienda juntos los cables de 230 V y de 12/24 V en un mismo conducto de cables.
- No tienda los cables de modo que queden sueltos o doblados junto a materiales conductores (metales).

5.7 Cable(s) de CI-BUS



NOTA

Este capítulo solo es de aplicación si la unidad interior Cool Top Trail 20 - 24 está equipada con una unidad CI-BUS y esta unidad CI-BUS necesita estar conectada a un sistema externo de CI-BUS.

Para montar los cables de CI-BUS, siga las instrucciones del capítulo 5.7.1, "Montaje del cable de CI-BUS" en la página 93.

Utilice el cable de CI-BUS adecuado para conectar la unidad CI-BUS al sistema de CI-BUS.

En caso de que haya dos unidades de aire acondicionado Cool Top Trail instaladas, utilice el cable de CI-BUS de interconexión para conectar las unidades CI-BUS.



ADVERTENCIA

Peligro de electrocución

Antes de trabajar en componentes alimentados por electricidad, asegúrese de que dichos componentes estén sin tensión. Asegúrese de que la alimentación eléctrica de la red o la procedente de los inversores esté desconectada.

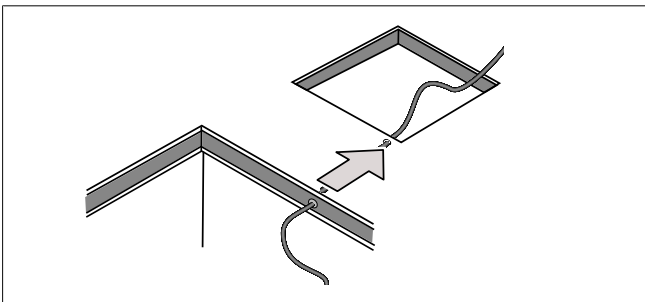


Fig. 12 Cable de CI-BUS



NOTA

Funcionamiento inadecuado del CI-BUS

No tienda los cables de alimentación, el cable o cables de CI-BUS y los cables de 12/24 V juntos en un mismo conducto de cables.

- Otra posibilidad es guiar el cable de CI-BUS a través del aislamiento del techo, tal y como se muestra más arriba.
- Taladre un orificio en el listón de madera para hacer pasar el cable de CI-BUS.
- Haga pasar el cable de CI-BUS a través del orificio del listón de madera antes de montar el listón.
- Conecte y tienda los cables de forma que se eviten tropiezos o daños.
- Utilice prensaestopas para el paso de los cables por paredes que presenten bordes cortantes.
- No tienda los cables de modo que queden sueltos o doblados junto a materiales conductores (metales).
- Guíe el cable de CI-BUS hasta el interior de la caravana, el vehículo o la autocaravana.
- Guíe el cable de CI-BUS hasta la unidad de aire acondicionado Cool Top Trail.

- En caso de que haya dos unidades de aire acondicionado Cool Top Trail, guíe un cable de CI-BUS de interconexión entre las dos unidades CI-BUS.

5.7.1 Montaje del cable de CI-BUS

Los cables de CI-BUS deben montarse con los terminales de engaste adecuados y con la carcasa correspondiente. Véanse los detalles de la especificación en el capítulo 4, "Conectores necesarios para el CI-BUS" en la página 90. Respete en todo momento las instrucciones del fabricante.

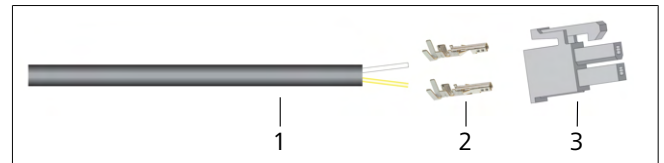


Fig. 13 Montaje del cable de CI-BUS

1	Cable
2	Terminales de engaste
3	Carcasa

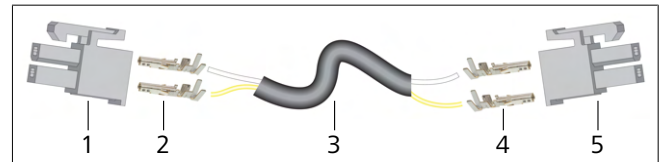


Fig. 14 Montaje del cable de interconexión de CI-BUS entre dos unidades CI-BUS

1	Carcasa de CI-BUS (unidad CI-BUS 1)
2	Terminales de engaste de CI-BUS (unidad CI-BUS 1)
3	Cable
4	Terminales de engaste de CI-BUS (unidad CI-BUS 2)
5	Carcasa de CI-BUS (unidad CI-BUS 2)

5.8 Instalar el bastidor adaptador

- Asegúrese de que el techo esté limpio y seco y que no presente restos de aceite o grasa.
- Inserte el bastidor adaptador en el recorte para asegurarse de que el cable de alimentación eléctrica y el cable de CI-BUS (si lo hay) no interfieran con el bastidor. Si los cables provocan cualquier tipo de obstrucción, corte o taladre aberturas en la cara inferior del bastidor para poder pasar los cables por ellas.
- Confirme la orientación correcta del bastidor mediante la etiqueta "This side up" (Esta cara hacia arriba).

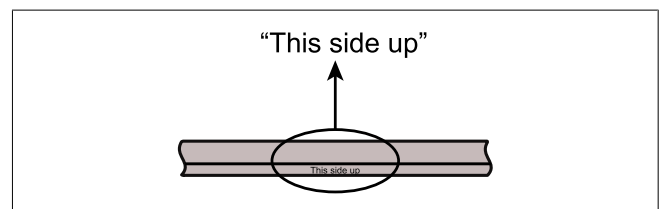


Fig. 15 Orientación del bastidor adaptador

- Dé la vuelta a la pieza y, en el reverso de "This side up" (Esta cara hacia arriba), aplique una capa uniforme de sellador de silicona a lo largo de las líneas marcadas.

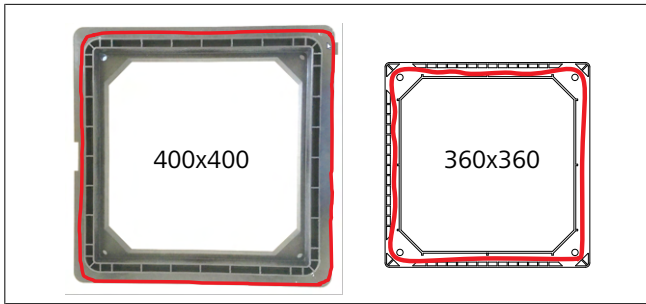


Fig. 16 Líneas de sellador

5. Voltee de nuevo la pieza y asegúrese de que la cara identificada por "This side up" (Esta cara hacia arriba) queda orientada hacia arriba. Presione con firmeza contra el orificio de montaje y elimine cualquier resto de sellador que rebose.

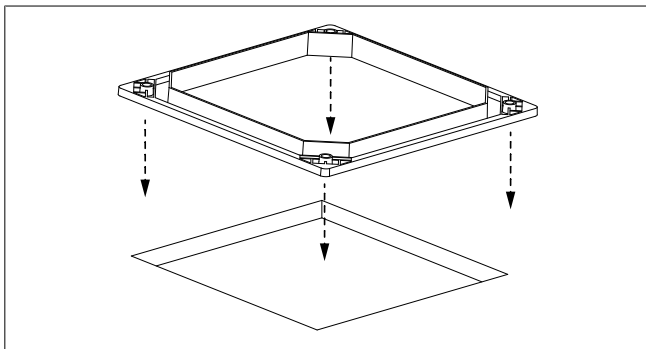


Fig. 17 Cómo formar una junta eficaz

5.9 Instalación de la unidad exterior

Coloque la unidad exterior sobre el bastidor adaptador instalado y ajuste la posición para asegurarse de que los cuatro orificios para pernos de las esquinas queden correctamente alineados.

NOTA

La unidad exterior es pesada. Pida ayuda siempre a otra persona a la hora de transportar la unidad. No levante la unidad exterior por la tapa superior de color blanco. Levántela por la base.

Utilice los pernos M8 para comprobar que los orificios de la unidad exterior estén alineados con los orificios del adaptador. Si no lo están, reposicione la unidad exterior como corresponda. No aplique en ningún caso más sellador entre la unidad exterior y el bastidor adaptador.

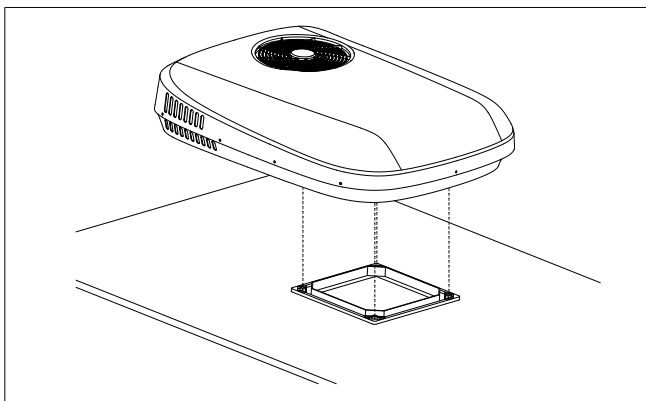


Fig. 18 Posicionamiento de la unidad exterior

5.10 Conexión de la alimentación eléctrica

1. Mire hacia arriba desde el interior del vehículo y localice los bloques de terminales (1).

2. Desbloquee las palancas de color naranja.
3. Pele los cables unos 10 mm (para WAGO 222-412).
4. Inserte los cables de alimentación eléctrica en los bloques de terminales de 2 polos. Haga coincidir los cables correspondientes de línea, neutro y tierra.
5. Cierre las palancas de color naranja para asegurarse de que el cable de alimentación esté conectado de forma correcta y segura.

NOTA

Si no se aprietan bien las conexiones, podrían producirse cortocircuitos o incendios.

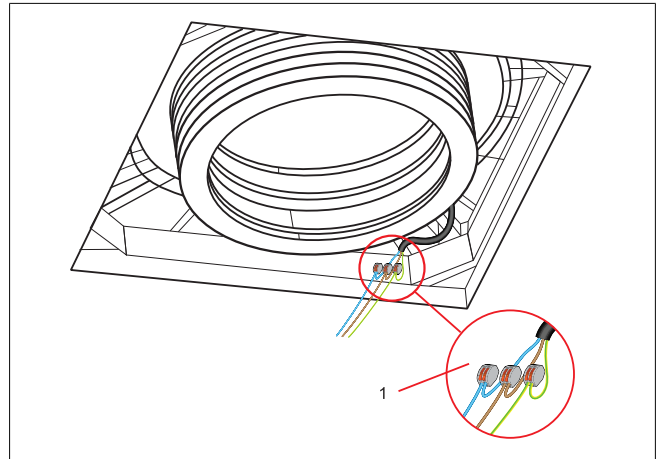


Fig. 19 Ubicación de los bloques de terminales

5.11 Instalación del soporte de montaje del distribuidor de aire

1. Prepare los pernos M8 (4), las arandelas (3) y las pletinas de abrazadera metálicas de fijación (2) tal y como se muestra en la figura.
2. Levante el soporte de montaje del distribuidor de aire (1) hacia el acondicionador de aire.
3. Inserte los pernos M8 con sus arandelas y pletinas de abrazadera metálicas en los 4 orificios de las esquinas del soporte de montaje del distribuidor de aire.
4. Enrosque a mano los pernos para asegurarse de que entren correctamente en las roscas hembra correspondientes.
5. Asegúrese de que todos los pernos se hayan enroscado correctamente. Enróselos al menos 2 vueltas para evitar que se fueren las roscas.
6. Mientras aprieta los pernos, asegúrese de que las pletinas de abrazadera metálicas se alineen con los rebajes correspondientes del soporte de montaje del distribuidor de aire.
7. Por último, apriete uniformemente los cuatro pernos con un par de apriete de 7 Nm.

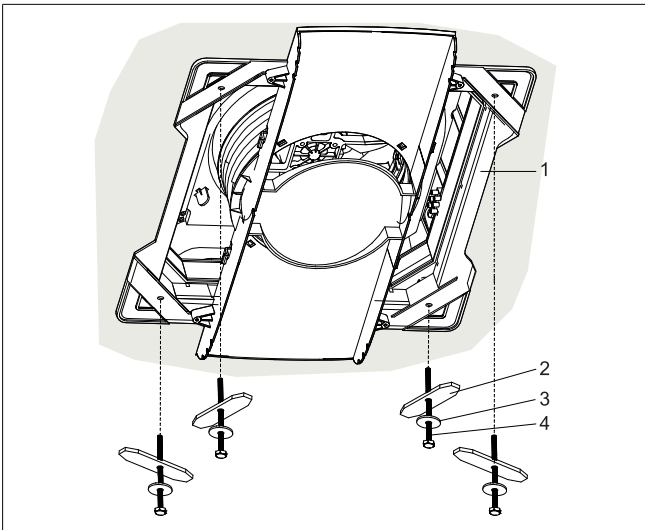


Fig. 20 Instalación de los pernos

5.12 Conexión del conducto de entrada de aire

1. Sujete el extremo libre del conducto de entrada de aire (2) y tire de él hacia abajo hasta que toque el soporte de montaje del distribuidor de aire (1).
2. Siga tirando del borde del conducto hacia abajo hasta que se encaje en las cuatro lengüetas (3) del soporte de montaje del distribuidor de aire.
3. Sabrá que el conducto se ha conectado correctamente cuando oiga los chasquidos claramente perceptibles de las cuatro lengüetas y cuando el borde del conducto (5) quede paralelo a la superficie del soporte (4).

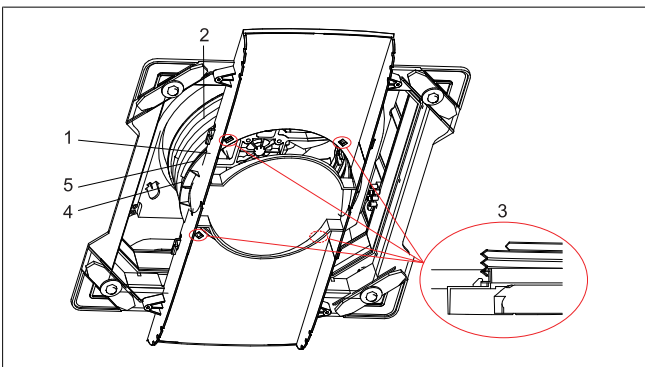


Fig. 21 Conexión del conducto de entrada de aire

5.13 Conexión de los cables de la unidad interior y la unidad exterior

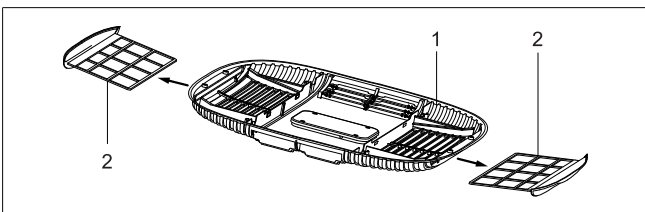


Fig. 22 Desmontaje del filtro de aire

1. Separe el filtro de aire del distribuidor de aire presionando las dos lengüetas (1) hacia dentro (2) y, a continuación, hacia abajo (3).

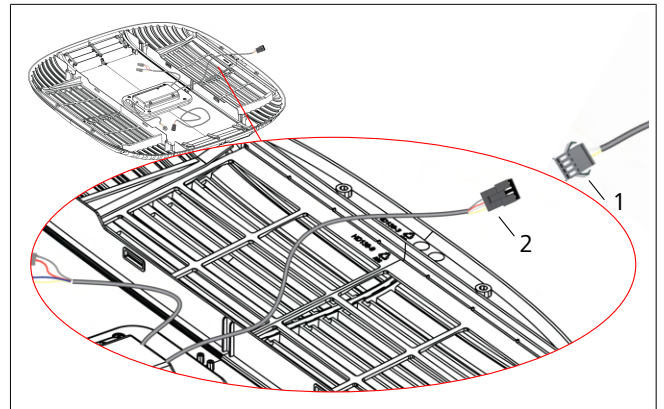


Fig. 23 Conexión del conector de la unidad exterior a la unidad CI-BUS

2. Inserte el conector de la unidad exterior (1) en el conector correspondiente (2) de la unidad CI-BUS.

5.14 Conexión de los cables de CI-BUS

NOTA

Este capítulo solo es de aplicación si la unidad interior Cool Top Trail 20 - 24 está equipada con una unidad CI-BUS y esta unidad CI-BUS necesita estar conectada a un sistema externo de CI-BUS.

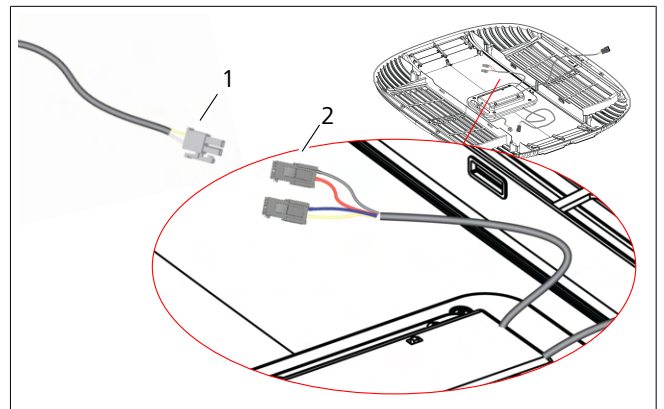


Fig. 24 Conexión del sistema de CI-BUS a la unidad CI-BUS

1. Inserte el conector de CI-BUS (1) en el conector de CI-BUS correspondiente (2) de la unidad CI-BUS.

NOTA

Ajuste de los interruptores

Si tiene dos unidades de aire acondicionado Cool Top Trail, ambas con una unidad CI-BUS instalada, deberá ajustar el interruptor de identificación de cada unidad CI-BUS en una posición diferente.

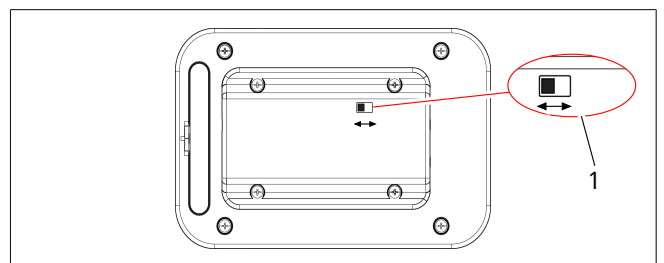


Fig. 25 Vista superior de la unidad CI-BUS

2. Ajuste el interruptor de identificación (1) en la posición izquierda en una unidad CI-BUS y en la posición derecha en la otra unidad CI-BUS.

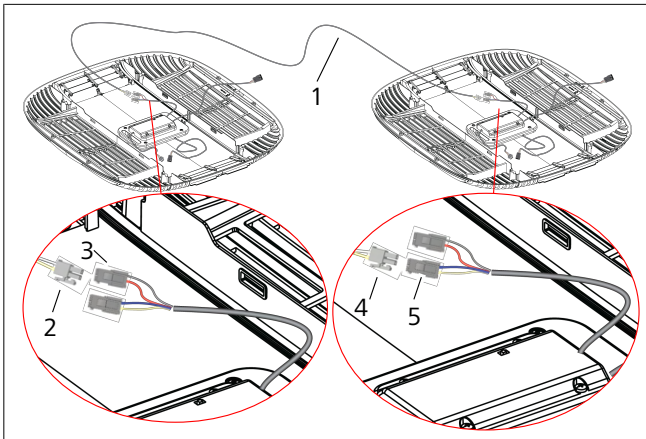


Fig. 26 Conexión de dos unidades CI-BUS

3. En caso de que haya dos unidades de aire acondicionado Cool Top Trail instaladas, utilice el cable de interconexión (1).
4. Inserte el conector (2) del cable en el conector de CI-BUS (3) de la primera unidad CI-BUS.
5. Inserte el otro conector (4) del cable en el conector auxiliar de CI-BUS (5) de la segunda unidad CI-BUS.

5.15 Instalación del conjunto del distribuidor de aire

1. Conecte el distribuidor de aire (1) al soporte de montaje del distribuidor de aire (3) encajando las dos piezas entre sí.
 - Escuchará cuatro chasquidos de las lengüetas (2) cuando el distribuidor de aire (1) y el soporte de montaje (3) se encajen entre sí.

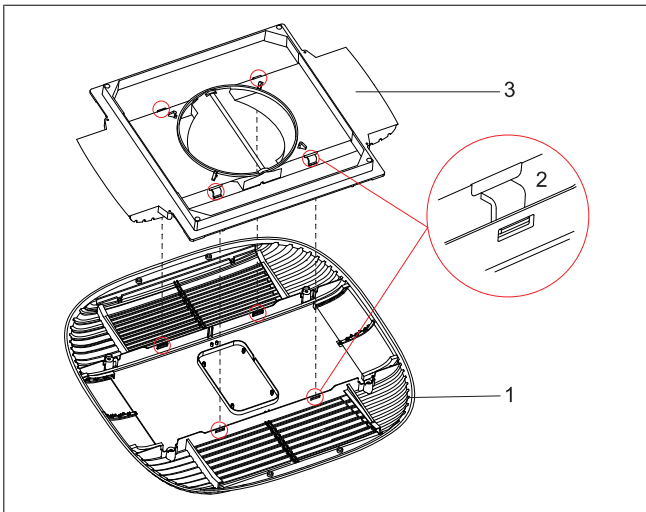


Fig. 27 Conexión del conjunto de distribuidor de aire al soporte de montaje

2. Fije el distribuidor de aire (1) del soporte de montaje del distribuidor de aire con cuatro tornillos con cabeza de lenteja ST4,2x19 (2).

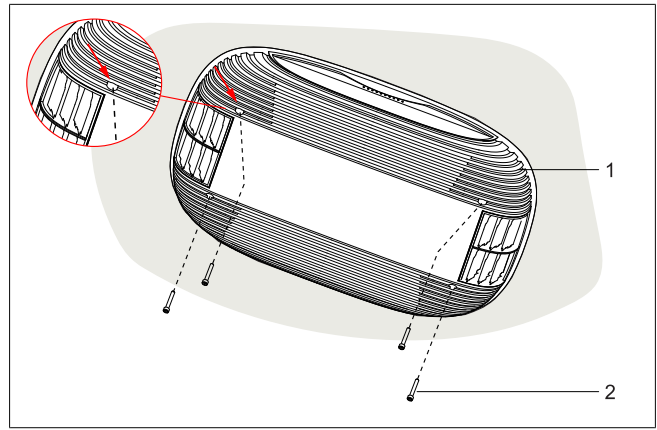


Fig. 28 Fijación del conjunto de distribuidor de aire al soporte de montaje

- El siguiente paso es opcional. La finalidad de este paso es cerrar la separación que pueda quedar entre el distribuidor de aire y el techo interior del vehículo, utilizando para ello 4 tornillos de cabeza avellanada.
 - Para instalar estos tornillos:
3. Fije el distribuidor de aire (1) al techo interior con 4 tornillos de cabeza avellanada (2).

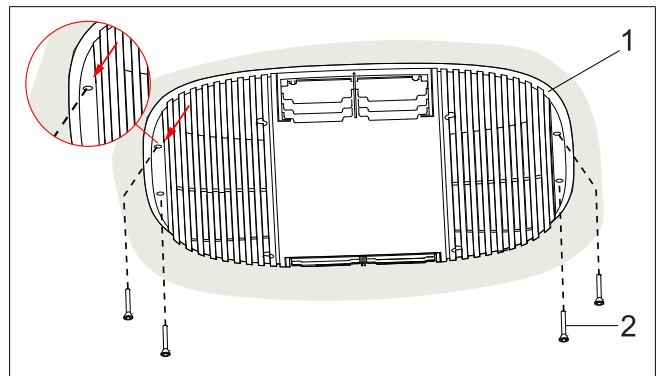


Fig. 29 Fijación del distribuidor de aire al techo interior

4. Monte los filtros de aire (2) tal y como se muestra a continuación:

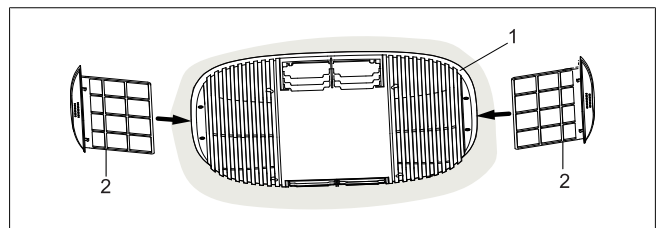


Fig. 30 Instalación de los filtros de aire

5.16 Instalación del soporte del mando a distancia

1. Busque una ubicación conveniente para instalar el soporte del mando a distancia (1).
2. Utilice los 2 tornillos de cabeza avellanada (2) para fijar el soporte.

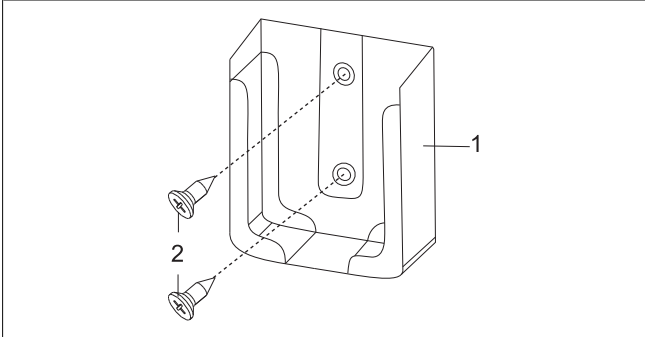


Fig. 31 Soporte del mando a distancia

5.17 Comprobación del sistema

- Pruebe todas las funciones del aire acondicionado, tal y como se describe en el capítulo 6, "Instrucciones de uso" en la página 98.
- Una vez finalizado el montaje de la unidad exterior, asegúrese de que las salidas de condensado estén despejadas.
- Registre la nueva altura y el nuevo peso en la documentación del vehículo si así lo obliga la legislación.
- Entregue el presente documento al nuevo propietario del vehículo.

6 Instrucciones de uso

6.1 Antes del uso



NOTA

Antes de encender la unidad, asegúrese de que la tensión y la frecuencia de la alimentación se correspondan con los valores del aire acondicionado.



NOTA

Asegúrese de que la alimentación eléctrica externa proporcione suficiente corriente.



NOTA

Para evitar que el cable de extensión de la alimentación eléctrica al vehículo se sobrecaliente y produzca pérdidas de tensión, desenrolle siempre por completo el tambor de cable.



NOTA

El cable de extensión debe tener una sección transversal mínima de 3 x 2,5 mm².



NOTA

Asegúrese de que las rejillas de salida y entrada de aire no estén cubiertas por trapos, papel u otros objetos.



NOTA

Tras retirar la tapa trasera del mando a distancia, inserte en el mando a distancia dos (2) pilas AAA LR3 a prueba de fugas. A continuación, vuelva a colocar la tapa trasera.



NOTA

Al utilizar el mando a distancia, apúntelo hacia el distribuidor de aire para garantizar una transmisión óptima de la señal. El distribuidor de aire emitirá un pitido cuando reciba una señal.



NOTA

Los iconos que se muestran en la pantalla del mando a distancia dependerán de los ajustes a los que esté accediendo.



NOTA

Después de que haya elegido el modo **REFRIGERACIÓN** o **CALEFACCIÓN**, el compresor puede tardar hasta 3 minutos en arrancar. Esta característica tiene la función de proteger el compresor.



NOTA

Para ajustar el reloj del sistema, véase el capítulo capítulo 6.10, "Ajuste del reloj del sistema" en la página 101.

6.2 Como calefactar y refrigerar de forma efectiva

Las siguientes medidas generales resultan muy útiles a la hora de reducir la carga térmica del interior de un vehículo y mejorar el rendimiento del aire acondicionado:

- Estacione su vehículo a la sombra siempre que sea posible.
- Coloque su vehículo con la bandeja parasol en el lado donde da el sol. Así reducirá la exposición a la luz directa del sol.
- Cierre todas las puertas, techos solares y ventanas, cierre las cortinas y despliegue el parasol o el avance.
- Dentro del vehículo, apague todos los aparatos eléctricos que no necesite. De esta forma reducirá aún más la carga térmica.
- Cocine en el exterior del vehículo siempre que sea posible.

- En presencia de temperaturas excepcionalmente elevadas, encienda el aire acondicionado con antelación durante la mañana.
- Si el interior del vehículo ya se ha calentado, ventile el vehículo abriendo las puertas y ventanas **antes** de poner en marcha la unidad de A/A.
- Limpie regularmente el techo exterior del vehículo; los techos sucios se calientan más.

Del mismo modo que hay numerosos factores que afectan a la carga térmica total del interior del vehículo, otros muchos factores pueden afectar a la eficiencia de funcionamiento del aire acondicionado. Puede ser recomendable que consulte al fabricante de su vehículo para poder comprender plenamente la carga térmica total de su vehículo.

6.3 Cómo afrontar la condensación

Cuando el aire caliente y húmedo del interior del vehículo entra en contacto con una superficie fría, es probable que se forme agua de condensación. Este efecto también se conoce como "sudar". Para afrontar esta situación:

- Cierre herméticamente todas las puertas, techos solares y ventanas. Así reducirá la entrada de aire caliente y húmedo.
- Utilice el ventilador interior a velocidad **alta**, evitando las velocidades de ventilador **baja** y **automática**.

Durante el funcionamiento del aire acondicionado, se produce agua condensada que se vierte sobre el techo exterior. Se trata de algo normal. La cantidad de agua condensada dependerá de la humedad del aire. Una humedad elevada en el interior de su vehículo dará lugar a una mayor producción de agua condensada.



NOTA

Las pérdidas o daños causados por el agua condensada no están cubiertos por la garantía.

6.4 Selección y uso de un grupo electrógeno o inversor

Para funcionar correctamente, el CTT 20 - 24 requiere una fuente de alimentación eléctrica de CA de alta calidad. Si decide proporcionar la alimentación con un grupo electrógeno o un inversor, debe consultar al proveedor del grupo o inversor para confirmar la idoneidad y el tamaño de ese equipo para su aplicación concreta.



NOTA

Las pérdidas o daños causados por el uso de un grupo electrógeno o inversor no están cubiertos por la garantía.

6.5 Uso del mando a distancia

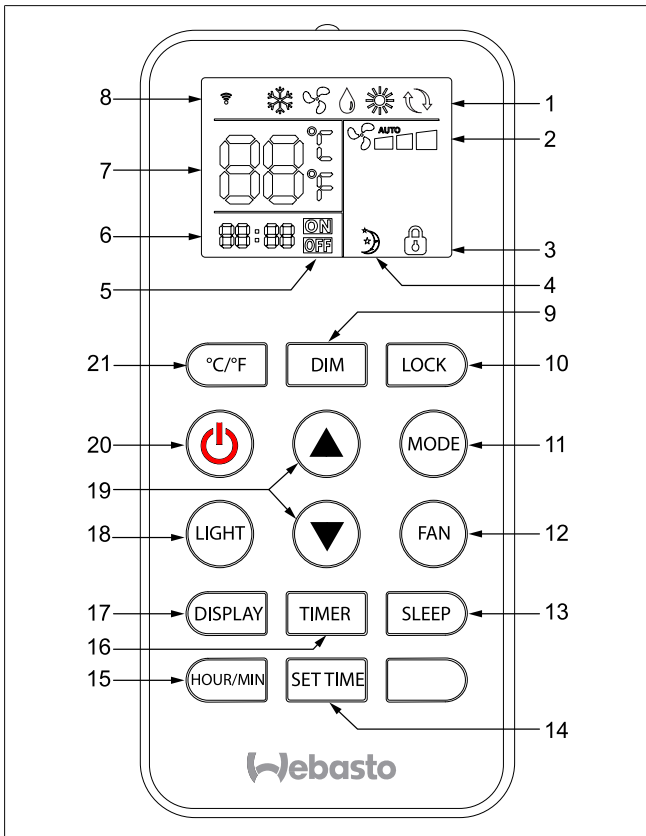


Fig. 32 Vista general del mando a distancia

Botones de manejo	Función
12 FAN (Ventilador)	Selecciona la velocidad de ventilador Low/Medium/High (Baja/Media/Alta) o AUTO. La velocidad de ventilador AUTO solo es posible en el modo REFRIGERACIÓN/CALEFACCIÓN. Con la velocidad de ventilador AUTO, el ventilador adoptará automáticamente la velocidad Baja, Media o Alta, según sea necesario.
13 SLEEP (Sueño)	Selecciona el modo de sueño. Solo disponible en los modos REFRIGERACIÓN y CALEFACCIÓN.
14 SET TIME (Ajustar hora)	Activa el modo de ajuste CLOCK / TIMER (Reloj/Temporizador).
15 HOUR/MIN (Hora/Minuto)	Cambia entre el ajuste de las horas y el de los minutos.
16 TIMER (Temporizador)	Activa distintos ajustes del temporizador.
17 DISPLAY (Pantalla)	Enciende/apaga la pantalla del distribuidor de aire.
18 LIGHT (Luz)*	Enciende/apaga las luces led del distribuidor de aire.
19 Arriba/Abajo	Permite ajustar la temperatura de referencia, el reloj o el temporizador.
20 Encender/Apagar	Enciende/apaga el sistema.
21 °C / °F	Selecciona las unidades de temperatura, Celsius o Fahrenheit, para la indicación de temperatura.

* Aplicable únicamente a unidades con luces led.


Iconos de pantalla Información

1	Indicación del modo	COOL / FAN / DRY / HEAT / AUTO (REFRIGERACIÓN/VENTILADOR/DESHUMIDIFICACIÓN/CALEFACCIÓN/AUTO)
2	Indicación de la velocidad del ventilador	Low / Medium / High / Auto (Baja/Media/Alta/Auto)
3	Indicación de la función de bloqueo	-
4	Indicación de la función de sueño	-
5	Indicador de estado de temporizador ON/OFF	-
6	Indicación del reloj/temporizador	Hora real, hora del temporizador durante el ajuste.
7	Indicación de la temperatura	Muestra la temperatura de referencia o la temperatura interior. Unidades en °C o °F.
8	Transmisión de datos	Se muestra este símbolo brevemente cuando el mando a distancia transmite datos a la unidad de A/A.

Botones de manejo

Botones de manejo	Función
9 DIM (Atenuar)*	Selecciona el brillo de las luces led: 25 %, 50 %, 75 %, 100 %
10 LOCK (Bloquear)	Desactiva el control táctil del distribuidor de aire cuando la unidad está encendida. Pulse el botón de nuevo para desbloquearlo.
11 MODE	Selecciona el modo de funcionamiento COOL / DRY / FAN / HEAT / AUTO (Refrigeración/Deshumidificación/Ventilador/Calefacción/Auto).

6.6 Encendido y apagado de la unidad

Para encender la unidad, pulse el botón  en el mando a distancia.

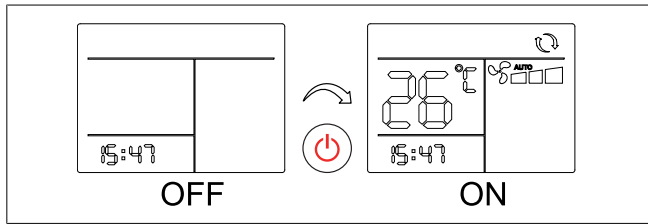



Fig. 33 Encendido de la unidad

- La unidad se enciende y la pantalla del distribuidor de aire muestra la temperatura ajustada y el modo de funcionamiento.
- La pantalla del mando a distancia indica el ajuste de temperatura, el modo de funcionamiento y el nivel de velocidad del ventilador.
- Se recuperan los últimos ajustes.
- El ventilador interior puede arrancar inmediatamente si la unidad está en el modo de ventilación o refrigeración. En el modo de calefacción, antes de arrancar el ventilador se dejará un retardo para que la bobina interior se caliente y evitar así una corriente de aire frío.
- El compresor puede tardar hasta 3 minutos en arrancar. Se trata de una característica concebida para proteger el compresor.

Para apagar la unidad, pulse de nuevo el botón .

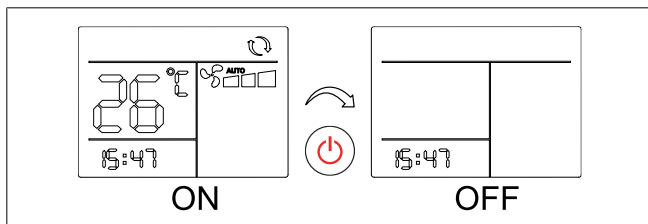
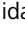




Fig. 34 Apagado de la unidad

- La unidad se apaga y la pantalla del distribuidor de aire queda vacía.
- La pantalla del mando a distancia muestra solo el reloj.

También puede encender y apagar la unidad pulsando el botón táctil  del distribuidor de aire; véase el capítulo 6.16, "Uso del distribuidor de aire sin el mando a distancia" en la página 103 para obtener más detalles.

6.7 Ajuste de la temperatura

Use los botones  /  para cambiar la temperatura ajustada.

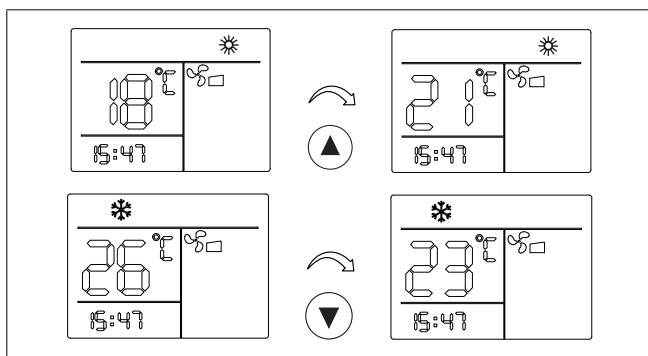
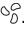


Fig. 35 Ajuste de la temperatura

- Tanto la pantalla del mando a distancia como la pantalla del distribuidor de aire mostrarán la temperatura ajustada.

- El aire acondicionado emitirá un pitido para confirmar la recepción de cada cambio del valor ajustado.
- Puede ajustar la temperatura entre los 16 °C y los 30 °C mientras la unidad está en funcionamiento.
- No es posible ajustar la temperatura en el modo FAN (Ventilador) .

6.8 Ajuste de la velocidad del ventilador

Use el botón FAN (Ventilador) para ajustar el nivel de velocidad del ventilador.

- El nivel de velocidad del ventilador afecta directamente al caudal de aire.
- Cada pulsación del botón FAN (Ventilador) modifica el nivel de velocidad del ventilador según la secuencia que se muestra a continuación.

AUTO indica que se ha seleccionado el modo de ventilador Automático. En este modo, la velocidad del ventilador se adapta automáticamente. El modo de ventilador Automático solo está disponible en los modos de funcionamiento de REFRIGERACIÓN o CALEFACCIÓN.

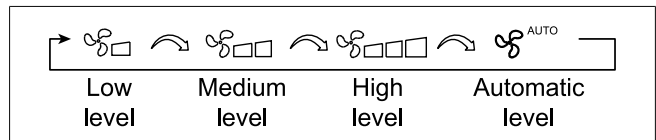


Fig. 36 Ajuste de la velocidad del ventilador

6.9 Selección del modo de funcionamiento

Pulse el botón MODE (Modo) del mando a distancia para cambiar de modo de funcionamiento. En el mando a distancia se muestran los iconos seleccionados.

- Cada pulsación del botón MODE (Modo) modifica el modo según la secuencia que se muestra a continuación.

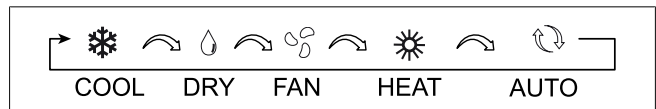
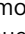


Fig. 37 Selección del modo de funcionamiento

Modo de REFRIGERACIÓN ❄️

- En el modo de REFRIGERACIÓN (COOL), el distribuidor de aire muestra el símbolo  y se refrigera el vehículo.
- La temperatura ajustada y la velocidad del ventilador se pueden seleccionar manualmente.
- El compresor se apagará cuando se alcance la temperatura ajustada y se encenderá de nuevo automáticamente tan pronto como se supere el ajuste de temperatura ambiente.

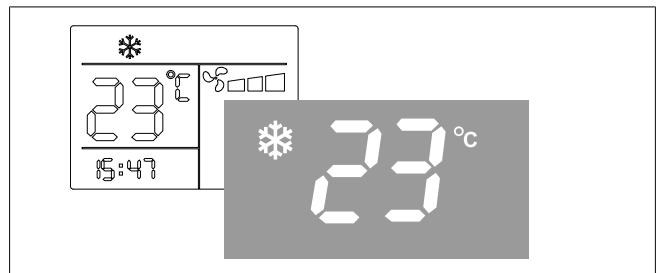


Fig. 38 Modo de REFRIGERACIÓN

Modo de DESHUMIDIFICACIÓN

- En el modo de DESHUMIDIFICACIÓN (DRY), la unidad reduce la humedad presente dentro del vehículo.
- Ajuste la temperatura 1 °C por debajo de la temperatura ambiente actual.
- El distribuidor de aire muestra el símbolo ❄.

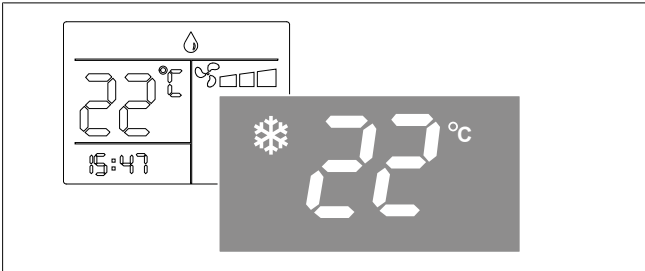


Fig. 39 Modo de DESHUMIDIFICACIÓN

Modo de VENTILADOR

- En el modo VENTILADOR (FAN), se recircula el aire interior del vehículo sin calefacción ni refrigeración.
- La velocidad del ventilador se puede ajustar manualmente.
- El distribuidor de aire muestra el icono ↻, así como la temperatura ambiente actual.

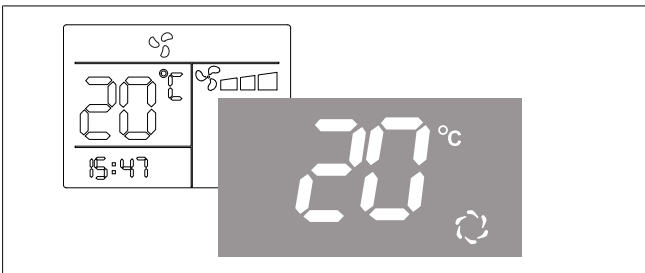


Fig. 40 Modo de VENTILADOR

Modo de CALEFACCIÓN

- En el modo CALEFACCIÓN (HEAT), el distribuidor de aire mostrará el icono ☀ y se calentará el vehículo.
- La temperatura y la velocidad del ventilador se pueden ajustar manualmente.
- El compresor se apagará cuando se alcance la temperatura ajustada y se encenderá de nuevo automáticamente tan pronto como la temperatura ambiente caiga por debajo de la temperatura de referencia.

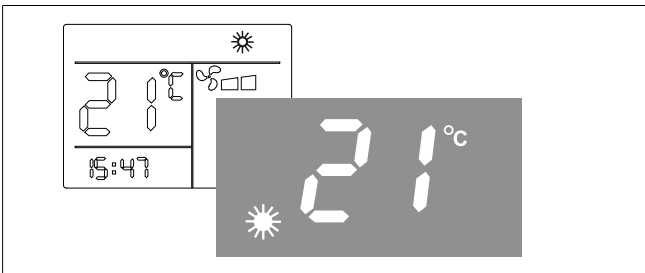


Fig. 41 Modo de CALEFACCIÓN



NOTA

Cuando se utiliza el modo de calefacción y la temperatura ambiente es baja, la unidad desescarchará periódicamente el intercambiador de calor exterior. El distribuidor de aire indicará "dF" durante el desescarche y regresará al modo de calefacción una vez se haya completado el desescarche.

Modo AUTO

- En el modo AUTO, la unidad selecciona automáticamente el modo de calefacción o el de refrigeración en función de la diferencia entre la temperatura ambiente actual y la temperatura ajustada.
- La temperatura de referencia y la velocidad del ventilador se pueden seleccionar manualmente.
- El distribuidor de aire muestra el icono ❄ en el modo de calefacción y el icono ☀ en el modo de refrigeración, así como la temperatura de referencia.

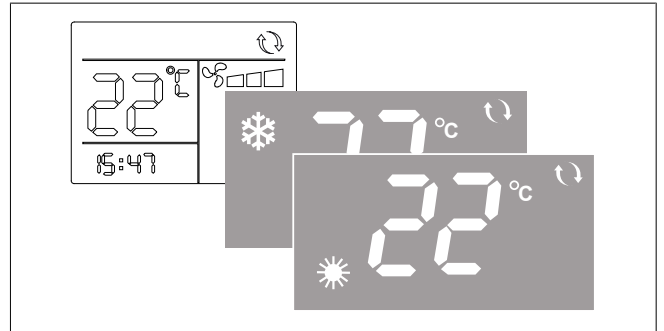


Fig. 42 Modo AUTO

6.10 Ajuste del reloj del sistema

1. Pulse el botón SET TIME (Ajustar hora). Los dígitos de las **horas** parpadearán.
2. Pulse los botones ▲ o ▼ para ajustar las horas.
3. Pulse el botón HOUR/MIN (Hora/Min). Los dígitos de los **minutos** parpadearán.
4. Pulse los botones ▲ o ▼ para ajustar los minutos.
5. Pulse el botón SET TIME (Ajustar hora) 3 veces para salir del modo de ajuste. Como alternativa, espere 10 segundos hasta que los dígitos dejen de parpadear.

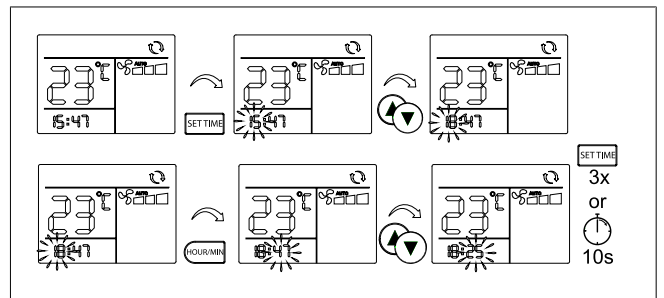


Fig. 43 Ajuste del reloj del sistema

6.11 Ajuste del temporizador

Es posible ajustar el temporizador para encender y apagar la unidad a horas preprogramadas. Como primer paso, es necesario ajustar estas horas de encendido y apagado.

1. Pulse dos veces el botón SET TIME (Ajustar hora) hasta que se muestre "ON" en la parte superior derecha del reloj y los dígitos de las **horas** parpadeen.
2. Pulse los botones ▲ o ▼ para ajustar la **hora** a la que quiere que se encienda la unidad.
3. Pulse el botón HOUR/MIN (Hora/Min) y, a continuación, pulse los botones ▲ o ▼ para ajustar los **minutos**.
4. Vuelva a pulsar el botón SET TIME (Ajustar hora) hasta que se muestre "OFF" en la parte inferior derecha del reloj y los dígitos de las **horas** parpadeen.
5. Pulse los botones ▲ o ▼ para ajustar la **hora** a la que quiere que se apague la unidad.

- Pulse el botón HOUR/MIN (Hora/Min) y, a continuación, pulse los botones ▲ o ▼ para ajustar los **minutos**.
- Para salir del modo de ajuste, vuelva a pulsar el botón SET TIME (Ajustar hora). Se muestra la hora del reloj. Como alternativa, espere 10 segundos hasta que los dígitos dejen de parpadear.

NOTA
Con esto, habrá ajustado las horas de encendido y apagado del temporizador, pero estas deberán activarse por separado. Véase el capítulo 6.12, "Activación del temporizador" en la página 102.

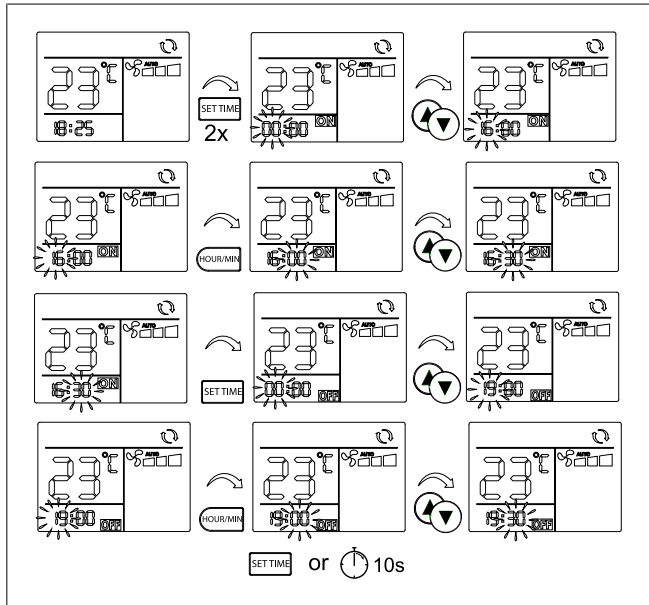


Fig. 44 Ajuste del temporizador

6.12 Activación del temporizador

Antes de activar el temporizador, seleccione el modo de funcionamiento, el ajuste de temperatura y el nivel de ventilador deseado.

Una vez ajustadas las horas de encendido y apagado (véase capítulo 6.11, "Ajuste del temporizador" en la página 101), es posible activar uno de los tres modos de TIMER (Temporizador) diferentes:

- **Modo TIMER ON (Temporizador de encendido)**
En este modo, la unidad se enciende a la hora de encendido deseada y se mantiene en funcionamiento.
- **Modo TIMER OFF (Temporizador de apagado)**
En este modo, la unidad se apaga a la hora de apagado deseada y se mantiene apagada.
- **Modo TIMER ON / OFF (Temporizador de encendido/apagado)**
En este modo, la unidad se enciende a la hora de encendido y se apaga a la hora de apagado. Este patrón se repetirá todos los días.

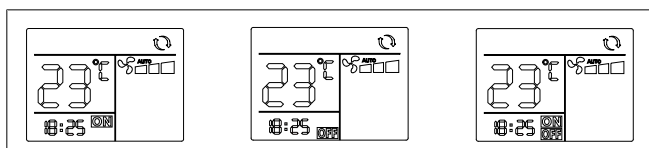


Fig. 45 Modos del TEMPORIZADOR

- Pulse repetidamente el botón TIMER (Temporizador) hasta que parpadee el símbolo ON, el símbolo OFF, o bien ambos símbolos, en función de qué modo de temporizador se prefiera.
- Para confirmar la selección, espere 10 segundos hasta que el símbolo deje de parpadear y permanezca encendido. Hecho esto, se mostrará de nuevo la hora del reloj.

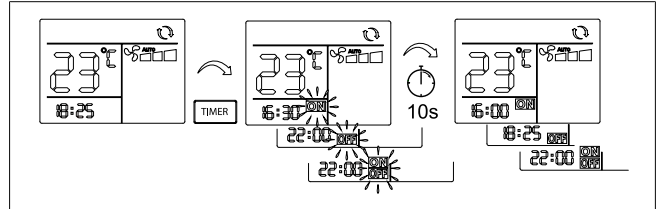


Fig. 46 Activación del temporizador

NOTA
Si el reloj se muestra sin ningún icono de ON / OFF, significará que usted no ha activado el temporizador.

6.13 Ajuste de la función de sueño

La función «Sueño» modifica automáticamente la temperatura de referencia para lograr una temperatura agradable para el sueño. También ayuda a reducir el tiempo de funcionamiento del compresor y, con ello, el consumo de energía y los niveles de ruido.

- Pulse el botón SLEEP (Sueño) para activar la función de sueño.
 - Se muestra el icono ☾ en la pantalla del mando a distancia para indicar que la función de sueño está activada.
 - En el modo de REFRIGERACIÓN, la temperatura de referencia aumentará automáticamente en dos pasos hasta aumentar 2 °C en un periodo de dos horas.
 - En el modo de CALEFACCIÓN, el ajuste de temperatura se reduce automáticamente en tres pasos hasta descender en 3 °C en un periodo de dos horas.
 - La función de sueño solo está disponible en los modos de REFRIGERACIÓN o CALEFACCIÓN.
- Pulse de nuevo el botón SLEEP (Sueño) para desactivar la función de sueño.

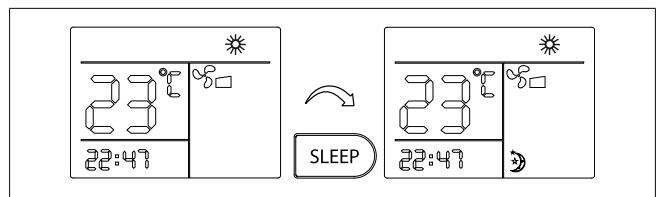


Fig. 47 Ajuste de la función de sueño

6.14 Cambio de las unidades de temperatura

Pulse el botón °C/°F para seleccionar en qué unidad se mostrarán las indicaciones de temperatura: Celsius o Fahrenheit.

- Puede hacerlo en cualquiera de los modos.
- La pantalla del distribuidor de aire refleja la selección realizada en el mando a distancia.

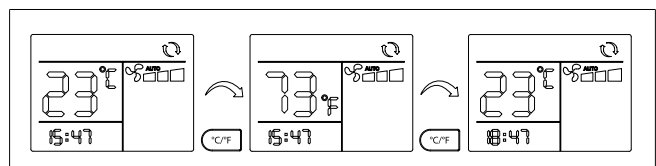


Fig. 48 Selección de Celsius / Fahrenheit

6.15 Restablecer el mando a distancia

Para restablecer el mando a distancia a los ajustes de fábrica:

1. Saque las pilas y vuelva a ponerlas. Véase también el capítulo 7.2, "Pilas del mando a distancia" en la página 103.
2. Vuelva a ajustar el reloj. Véase el capítulo 6.10, "Ajuste del reloj del sistema" en la página 101.
3. Vuelva a activar el temporizador si desea usarlo. Véase el capítulo 6.12, "Activación del temporizador" en la página 102.

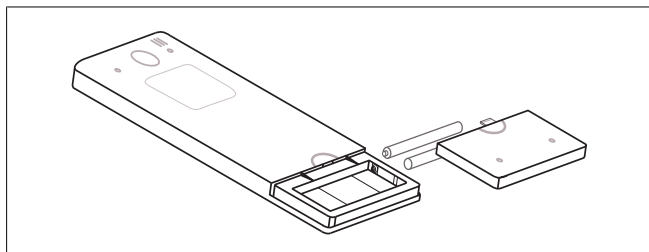
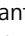


Fig. 49 Restablecimiento del mando a distancia

6.16 Uso del distribuidor de aire sin el mando a distancia

Las funciones básicas del aire acondicionado se pueden controlar mediante el botón táctil de la pantalla del distribuidor de aire. Esto es útil, por ejemplo, si no puede encontrar rápidamente el mando a distancia o si el mando se ha quedado sin pilas.

1. Pulse el botón táctil  en la pantalla del distribuidor de aire. Con cada pulsación, se avanzará cíclicamente por los modos OFF, COOL, FAN, HEAT (Apagado, Refrigeración, Ventilador, Calefacción).

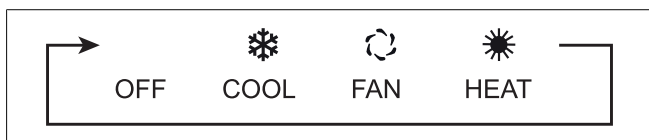


Fig. 50 Selección del modo de funcionamiento

– En los modos de refrigeración y calefacción, la temperatura de referencia estará ajustada automáticamente a 24 °C y la velocidad del ventilador estará ajustada a HIGH (Alta).

2. Use el mando a distancia para seleccionar cualquier otra temperatura o velocidad del ventilador.
3. No es posible seleccionar el modo AUTO en el distribuidor de aire, pero la pantalla mostrará el ícono de "modo automático" en la esquina superior derecha si el modo se ha seleccionado mediante el mando a distancia.

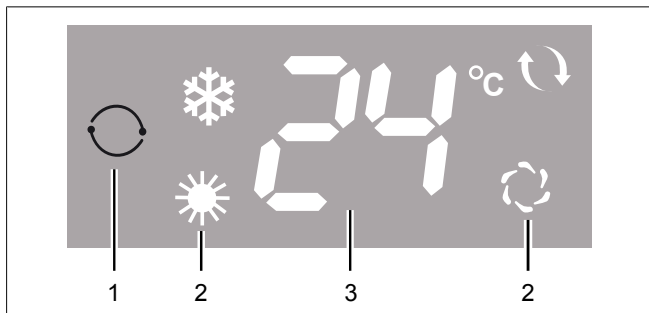


Fig. 51 Pantalla del distribuidor de aire

1	Botón táctil
2	Símbolos de modo de funcionamiento
3	Indicación de la temperatura

6.17 Ajuste de las salidas de aire

Ajuste la dirección y el ángulo de la salida de aire girando una de las hojas alrededor de su eje. Las tres hojas se mueven a la vez.



Fig. 52 Ajuste de las salidas de aire

ES

7 Mantenimiento

7.1 Filtro de aire

Los filtros del aire de retorno requieren un mantenimiento periódico.

- Inspeccione y limpie los filtros cada semana si está usando la unidad, para evitar que la suciedad los obstruya.
- Debe lavar frecuentemente los filtros para garantizar una refrigeración y una calefacción eficaces.

1. Retire los filtros (1) del distribuidor de aire (2).
2. Limpie los filtros con agua tibia y detergente.
3. Espere a que se sequen antes de volver a instalarlos.

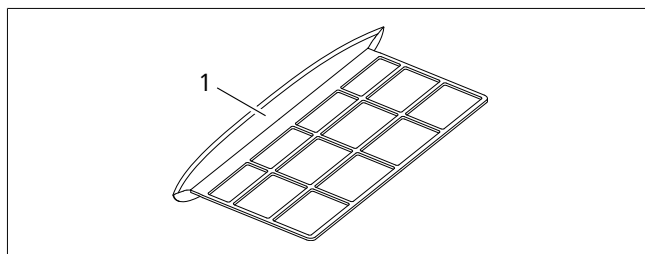


Fig. 53 Filtro de aire

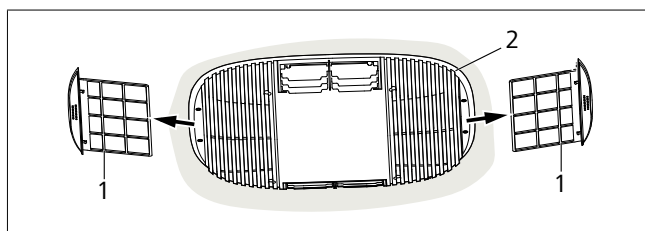


Fig. 54 Desmontaje de los filtros de aire



NOTA

Puede pedir filtros de repuesto por separado. Jamás use el aire acondicionado sin filtro. Si lo hiciera, expondría al intercambiador de calor a la suciedad, con la consiguiente pérdida de potencia.

7.2 Pilas del mando a distancia

- Cambie las pilas del mando a distancia (2 pilas de tipo AAA) cuando la pantalla del mando a distancia no se pueda leer o la información se vea borrosa.
- Retire las pilas del mando a distancia si no prevé usarlo durante un periodo prolongado, para así proteger al mando de posibles fugas de las pilas.

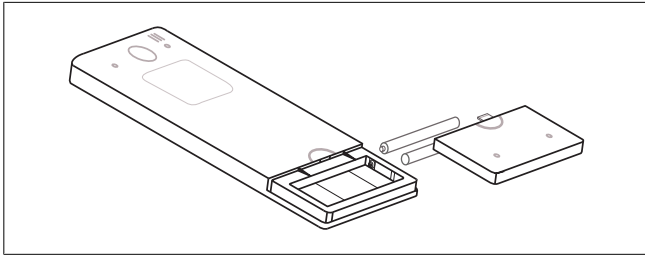


Fig. 55 Pilas del mando a distancia

Véase también el capítulo 6.15, "Restablecer el mando a distancia" en la página 103.

	<p>Todas las baterías y dispositivos electrónicos están sujetos a la Directiva europea 2006/66/CE o 2002/96/CE y, al finalizar su vida útil, no deben desecharse junto con la basura doméstica. Véase también https://eur-lex.europa.eu/advanced-search-form.html.</p> <p>Todos los consumidores están obligados por ley a desechar siempre las baterías y los equipos electrónicos en contenedores de reciclaje debidamente marcados en un punto de recogida de residuos. La eliminación de dichos residuos es gratuita.</p>
--	---

Véase también: capítulo 9, "Eliminación" en la página 105.

7.3 Inspección de los pernos

3 meses después del montaje inicial del producto, verifique el apriete de los cuatro pernos que sujetan la unidad al techo. Inspeccione los pernos periódicamente; como mínimo, cada 12 meses. Reapriete a 7 Nm en caso necesario.

7.4 Uso regular

Webasto recomienda utilizar regularmente el aire acondicionado para garantizar un rendimiento adecuado. Como mínimo, haga funcionar la unidad durante al menos 20 - 30 minutos cada 6 meses.

7.5 Limpieza

Elimine regularmente las hojas u otros restos de las rejillas de ventilación de la unidad exterior.

- Limpie regularmente la unidad con un paño suave humedecido y un detergente suave.
- Limpie el techo exterior del vehículo a intervalos regulares. Los techos sucios se calientan más que los techos limpios.





PRECAUCIÓN

- ▶ Jamás pase por lavacoches automáticos con un aire acondicionado de techo instalado.
- ▶ No proyecte agua por las aberturas de la unidad con un aparato de lavado a alta presión.
- ▶ No utilice sistemas de limpieza en caliente ni de vapor.
- ▶ No utilice para la limpieza objetos afilados ni duros.
- ▶ Nunca utilice gasolina, gasóleo, disolventes ni agentes limpiadores agresivos.

7.6 Intercambiadores de calor

Encargue a un taller especializado la limpieza del intercambiador de calor de su unidad, como mínimo, una vez al año.

8 Resolución de problemas

Síntoma	Acción
La pantalla del distribuidor de aire no se enciende al encender la unidad.	<p>Compruebe si:</p> <ul style="list-style-type: none"> ● El vehículo recibe alimentación y los interruptores automáticos están conectados. ● Las pilas del mando a distancia están en buen estado. ● El mando a distancia está apagado. ● La tensión es insuficiente. ● El amperaje del interruptor automático de la alimentación eléctrica externa es demasiado bajo.
Refrigeración no disponible.	<p>Compruebe que se haya seleccionado el modo de refrigeración y que en la pantalla del distribuidor de aire se muestre:</p>  <p>Utilice el mando a distancia para ajustar una temperatura menor que la temperatura ambiente actual. El compresor volverá a arrancar tras un retardo de 3 minutos.</p>
Calefacción no disponible.	<p>Compruebe que se haya seleccionado el modo de calefacción y que en la pantalla del distribuidor de aire se muestre:</p>  <p>Utilice el mando a distancia para ajustar una temperatura mayor que la temperatura ambiente actual. En condiciones de frío extremo, se necesitará más tiempo para comenzar a calentar. Cuando la unidad está en el modo de calefacción y la temperatura exterior es muy baja, la unidad puede cambiar automáticamente al modo de desescarchado. La calefacción se detendrá temporalmente mientras la unidad calienta el intercambiador de calor exterior para eliminar cualquier escarcha o hielo. La calefacción se reanudará cuando se haya despejado el intercambiador de calor exterior. Durante el desescarchado, la unidad indica "dF".</p>
Poca capacidad de refrigeración.	<p>Asegúrese de que el filtro esté limpio. Aumente la velocidad del ventilador a High (Alta) para conseguir la máxima capacidad. Asegúrese de que todas las puertas y ventanas, así como el techo solar, estén cerrados. Utilice cortinas y avances para reducir la carga térmica. Compruebe que las aberturas de aire de la unidad exterior no estén sucias ni obstruidas.</p>
Gotea agua por el distribuidor de aire.	<p>Desatque las salidas de condensado de la unidad exterior. Inspeccione la junta del bastidor adaptador. Estacione el vehículo en una posición más horizontal, con un ángulo <math>< 5^\circ</math> (8,8 %). Si se forma condensado en el exterior del distribuidor de aire, aumente la velocidad del ventilador hasta la velocidad alta.</p>
Códigos de error en el panel:	
-	Si, mientras se está recibiendo alimentación de un grupo electrógeno, en la pantalla se muestra un "0" o información ilegible, puede ser indicativo de que la tensión o la corriente son inestables.
E0	Fallo de la unidad.
E1	Fallo en el sensor de temperatura ambiente.
E2	Fallo en el sensor de temperatura del intercambiador de calor interior.
E3	Fallo en el sensor de temperatura del intercambiador de calor exterior.

Síntoma	Acción
E4	<p>Ningún efecto de refrigeración. Posibles causas:</p> <ul style="list-style-type: none"> ● Cantidad insuficiente de refrigerante debida a una rotura de los tubos. ● Fallo del compresor. ● Fallo del sensor.
E5	<p>Temperatura del intercambiador de calor exterior demasiado elevada / temperatura anómala. Temperatura anómala: la temperatura del intercambiador de calor es demasiado alta durante la refrigeración o demasiado baja durante la calefacción. (Durante la refrigeración, el código E5 indica que la temperatura exterior es superior a los 64 °C. Puede deberse a la reducción del caudal de aire del condensador, un mal funcionamiento del ventilador del condensador o un fallo del sensor; durante la calefacción, si la temperatura exterior es superior a 18 °C, el ventilador de aire exterior puede encenderse y apagarse repetidamente. Esta situación no constituye un fallo, sino que es una función de autoprotección del sistema para evitar el sobrecalentamiento de la unidad).</p>
dF	<p>No se trata de un fallo: cuando se utiliza el modo de calefacción a baja temperatura ambiente, la unidad desescarcha periódicamente el intercambiador de calor exterior. El distribuidor de aire indica "dF" durante la operación de desescarchado y, a continuación, vuelve al modo de calefacción una vez completado el desescarchado.</p>



NOTA

Antes de contactar con Webasto para obtener asistencia técnica, recabe la siguiente información.

- ▶ ¿Se muestra algún código de error?
- ▶ ¿La pantalla del distribuidor de aire funciona con normalidad o no?
- ▶ ¿Indica una temperatura de entre 16 y 30 °C?
- ▶ ¿Es posible cambiar el ajuste de temperatura durante el modo de refrigeración o el de calefacción?
- ▶ ¿Se muestra un "0" en la pantalla?
- ▶ ¿Se muestra información ilegible en la pantalla?
- ▶ Durante el modo de ventilador, ¿existe flujo de aire por las salidas del distribuidor de aire?
- ▶ ¿Se escucha el arranque o la parada del compresor en el modo de calefacción o el de refrigeración?

⇒ Su colaboración al recabar esta información facilitará enormemente la tarea de asistencia del equipo de servicio técnico.
¡Muchas gracias!

9 Eliminación



Deseche el material de embalaje según las regulaciones vigentes, separándolo para el reciclaje. Cuando su sistema alcance el final de su vida útil, no podrá desecharlo como si se tratara de basura convencional. Asegúrese de desechar el sistema de conformidad con todas las normas y reglamentos locales y nacionales aplicables. Puede pedir información sobre la eliminación de desechos a su administración local, al centro de residuos correspondiente o a su distribuidor local de Webasto.



Todos los consumidores están obligados por ley a desechar siempre las baterías y los equipos electrónicos en contenedores de reciclaje debidamente marcados en un punto de recogida de residuos. La eliminación de dichos residuos es gratuita.

Véase también: capítulo 7.2, "Pilas del mando a distancia" en la página 103.

10 Especificaciones técnicas

Parámetro	Valor		Parámetro	Valor	
	CTT 20	CTT 24		CTT 20	CTT 24
Nombre del producto	Cool Top Trail 20/24		Temperaturas ambiente que permiten la refrigeración	16 °C a 50 °C	
Nombre de modelo del fabricante	Belaire H2000/H2400		Máxima presión de diseño	2900 kPa	
Alimentación eléctrica	220-240 V/50 Hz		Mínima presión de diseño	1840 kPa	
Capacidad frigorífica nominal	2000 W	2400 W	Máximo caudal de aire	310 m ³ /h	
Capacidad calorífica nominal	2000 W	2400 W	Peso de la unidad exterior	Neto 28 kg	Neto 29 kg
Potencia de entrada para refrigeración	700 W	950 W	Peso de la unidad interior	Neto 2,8 kg	
Potencia de entrada para calefacción	600 W	850 W	Refrigerante cargado	R407C/470 g	R407C/450 g
Corriente nominal para refrigeración	3,0 A	4,2 A	Potencial de Calentamiento Global (PCG)	1774	
Corriente nominal para calefacción	2,6 A	3,8 A	Equivalente de CO ₂	834 kg	798 kg
Máxima potencia de entrada	800 W	1040 W	Máximo ángulo de inclinación del vehículo durante el funcionamiento	5° (=8,8%)	
Corriente máxima	3,5 A	4,5 A	Dimensiones	Véase Fig. 7 / Fig. 8	
Funcionamiento a temperatura ambiente	-5 a +50 °C		grado de protección IP	IP24	

NOTA

Todos los parámetros enumerados pueden cambiar sin previo aviso; prevalecerán las especificaciones mostradas en las placas de identificación de la unidad. Todos los valores son aproximados y pueden cambiar.

11 Esquema de cableado

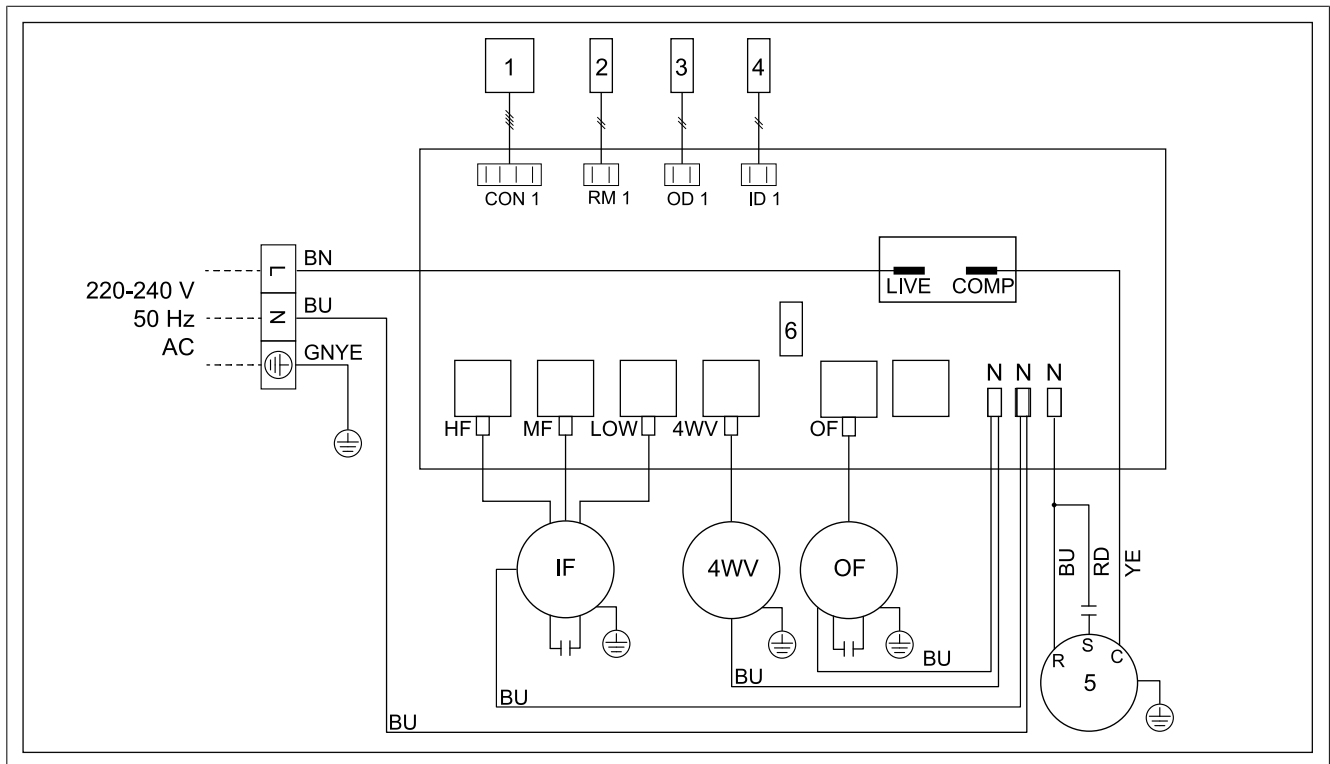


Fig. 56 Esquema eléctrico

Elemento	Descripción
1	Panel de mando
2	Sensor de ambiente
3	Sensor de intercambiador de calor exterior
4	Sensor de intercambiador de calor interior
5	Compresor
6	Fusible de 5x20 mm, 250 V, T5AL o T5AH

Elemento	Descripción
4WV	Válvula inversora de 4 vías
ID	Sensor interior
IF	Ventilador interior
OD	Sensor exterior
OF	Ventilador exterior
HF	Alto
MF	Medio
LOW	Bajo

Código de cable	Colores de los cables
BN	Marrón
BU	Azul
GNYE	Verde-amarillo
RD	Rojo
YE	Amarillo

Inhoudsopgave

1 Inleiding	110	7.1	Luchtfilter	125
1.1 Gebruik van symbolen en accentueringen	110	7.2	Batterijen van de afstandsbediening	125
1.2 Garantie en aansprakelijkheid	110	7.3	Controle van bouten	126
2 Veiligheid	111	7.4	Regelmatig gebruik.....	126
2.1 Beoogd gebruik	111	7.5	Reinigen	126
2.2 Veiligheidsinformatie	111	7.6	Warmtewisselaars.....	126
2.3 Kwalificaties personeel	111	8 Problemen oplossen	127	
3 Leveromvang	112	9 Verwijdering	128	
4 Benodigde connectors voor de CI-BUS	112	10 Technische specificaties	129	
5 Montagehandleiding	113	11 Bedradingsschema	130	
5.1 Algemeen	113	CE-conformiteitsverklaringen	151	
5.2 Montagevereisten.....	113			
5.3 Verschillende grootten van uitsnede	113			
5.4 Inbouwpositie.....	113			
5.5 Dakversterking.....	114			
5.6 Externe voeding.....	114			
5.7 CI-BUS-kabel(s)	115			
5.8 Adapterframe installeren	115			
5.9 De buiteneenheid monteren	116			
5.10 De externe voeding verbinden	116			
5.11 De bevestigingsbeugel van de luchtverdeler monteren	116			
5.12 Het luchtinlaatkanaal verbinden.....	117			
5.13 De kabels van de binnen- en buiteneenheid verbinden	117			
5.14 De CI-BUS-kabels verbinden.....	117			
5.15 De luchtverdeler monteren	118			
5.16 De houder voor de afstandsbediening monteren ...	118			
5.17 Het systeem testen	119			
6 Bedieningshandleiding	120			
6.1 Voor gebruik	120			
6.2 Effectief opwarmen en koelen	120			
6.3 Omgaan met condensatie.....	120			
6.4 Een generator of omvormer kiezen en gebruiken...	120			
6.5 De afstandsbediening gebruiken.....	121			
6.6 De eenheid AAN en UIT zetten	121			
6.7 De temperatuur instellen	122			
6.8 De ventilatorsnelheid instellen	122			
6.9 De bedrijfsmodus instellen	122			
6.10 De systeemklok instellen.....	123			
6.11 De timer instellen.....	123			
6.12 De timer activeren	124			
6.13 De slaapfunctie instellen	124			
6.14 De temperatuureenheid wijzigen	124			
6.15 De afstandsbediening resetten.....	124			
6.16 De luchtverdeler gebruiken zonder de afstandsbedie- ning.....	125			
6.17 De luchtuitlaten verstellen	125			
7 Onderhoud	125			

1 Inleiding

Deze bedienings- en montagehandleiding is onderdeel van het product en omvat alle informatie die nodig is voor correcte en veilige montage en bediening.

- ▶ Lees deze handleiding voordat u de eenheid monteert en gebruikt.
- ▶ Houd deze handleiding bij de hand.
- ▶ Geef de handleiding aan de volgende eigenaar of gebruiker van de eenheid.

- Schade veroorzaakt door ongewone omgevings- en bedieningsomstandigheden.
- Schade door onjuist transport.

1.1 Gebruik van symbolen en accentueringen



GEVAAR

Dit signaalwoord geeft gevaar aan met, indien niet vermeden, een **groot** risico op de dood of ernstig letsel.



WAARSCHUWING

Dit signaalwoord geeft een gevaar aan met, indien niet vermeden, een **gemiddeld** risico op licht of matig letsel.



VOORZICHTIG

Dit signaalwoord geeft gevaar aan met, indien niet vermeden, een **laag** risico op licht of gemiddeld letsel.



AANWIJZING

Deze symbool geeft een speciale technische functie of (indien niet in acht genomen) mogelijk schade aan het product aan.



Dit symbool verwijst naar afzonderlijke documenten die evt. bijgevoegd zijn of bij Webasto kunnen worden opgevraagd.

- ✓ Voorwaarde voor de volgende handelingsaanwijzing

1.2 Garantie en aansprakelijkheid

De wettelijke garantieperiode is van toepassing. Neem contact op met een Webasto-servicepartner in uw land als het product defect is. U kunt de dichtstbijzijnde dealer vinden op: <https://dealerlocator.webasto.com/en-int>.

Onze experts staan klaar om u te helpen en zullen het garantieproces met u bespreken.

Webasto is niet aansprakelijk voor gebreken en schade die te wijten zijn aan niet-inachtneming van de montage-instructies en bedieningshandleidingen. Deze disclaimer geldt in het bijzonder voor:

- Montage door ongeschoold personeel.
- Ondeskundig gebruik.
- Reparaties die niet uitgevoerd zijn door een Webasto Service-werkplaats.
- Gebruik van niet-originele onderdelen.
- Verbouwing van het apparaat zonder toestemming van Webasto.
- Beschadigingen aan het apparaat door mechanische invloeden.
- Niet-inachtneming van de montage- en bedieningsinstructies.
- Niet voldoen aan inspectie- en onderhoudsinstructies.
- Bediening bij een spanningsniveau dat afwijkt van de technische gegevens.
- Schade aan de afstandsbediening door lekkende batterijen.
- Schade door contact met ongeschikte substanties, zoals chemische producten en ongeschikte reinigingsmiddelen.

2 Veiligheid

2.1 Beoogd gebruik

De Cool Top Trail 20 - 24 is ontworpen voor montage in caravans of campers en voertuigen met leefruimten.

De Cool Top Trail 20 - 24:

- is niet geschikt voor montage in bouwapparatuur, landbouwmachines of aanverwante apparatuur.
- is niet bedoeld voor gebruik in boten of om blootgesteld te worden aan sterke trillingen.
- is niet geschikt voor huizen of appartementen.
- mag niet bediend worden in voertuigen tijdens het rijden.

2.2 Veiligheidsinformatie



GEVAAR

Gevaar op elektrocutie

- ▶ Schakel altijd de netvoeding uit en ontkoppel het apparaat voordat u aan het systeem gaat werken.
- ▶ Zorg ervoor dat het externe stopcontact van het voertuig goed is geaard overeenkomstig de plaatselijke regelgeving.
 - Niet juist aarden van de eenheid kan leiden tot elektrische schokken of brand.
- ▶ Test de airconditioning na montage op lekstroom.
- ▶ Schakel de airconditioning meteen uit en isoleer de externe voeding als u vreemde geuren, rook of brand opmerkt.
- ▶ De T 5A 250 V zekering van de airconditioning bevindt zich op de elektronische regeleenheid. Vervang deze alleen door een gelijksoortige zekering.



GEVAAR

Gevaar voor letsel of de dood

- ▶ Gebruik de airconditioning niet in de buurt van ontvlambare vloeistoffen of in besloten ruimten.
- ▶ Zorg ervoor dat er geen brandbare objecten worden bewaard of geïnstalleerd in de buurt van de luchtinlaat. Houd een afstand van minstens 50 cm aan.
- ▶ Reik niet in de luchtopeningen en steek geen vreemde objecten in de airconditioning. Gebruik de airconditioning niet zonder afdekking.
- ▶ Verwijder of open de bovenste afdekking van de airconditioning niet in het geval van brand. Gebruik geschikte brandblusmiddelen om het vuur te doven. Gebruik geen water om vuur te doven.
- ▶ De airconditioning moet stevig geplaatst worden zodat deze bevestigd blijft aan het dak.
- ▶ Draag altijd beschermende kleding tijdens montage, zoals een veiligheidsbril en handschoenen.
- ▶ Controleer of het dak van het voertuig het gewicht van de installateur en de airconditioning kan dragen voordat op het dak wordt geklommen.



VOORZICHTIG

- ▶ Er kunnen kabels aanwezig zijn boven het plafond. Zorg er bij zagen in het dak voor dat de stroom geïsoleerd is om elektrische schokken te voorkomen.
- ▶ Spuit geen verf of insecticide op het oppervlak van de airconditioning.
- ▶ Als de eenheid is uitgerust met lichten mogen de ledlichten alleen verbonden worden aan de meegeleverde DC-stroomdraad van de airconditioning. Verbinding met een andere externe voeding kan de ledlichten beschadigen.
- ▶ Elektrische apparaten zijn geen speelgoed. Houd elektrische apparaten buiten het bereik van kinderen of personen met een verstandelijke beperking. Personen van wie de fysieke, sensorische of verstandelijke capaciteiten of gebrek aan ervaring en kennis ervoor zorgen dat ze niet in staat zijn het apparaat veilig te gebruiken, mogen het apparaat niet gebruiken zonder toezicht of instructies door een verantwoordelijk persoon.
- ▶ Rijd nooit door automatische autowasstraten met een dakairconditioning gemonteerd.
- ▶ Als er zich storingen voordoen in het koelmiddelcircuit van de airconditioning, moet het apparaat gecontroleerd worden door een specialistisch bedrijf en gerepareerd worden. Het koudemiddel mag nooit vrijkomen in de lucht.



AANWIJZING

- ▶ Houd de luchtinlaat en de uitlaat van de binnen- en buiteneenheden van de airconditioning vrij.
- ▶ Isoleer de externe voeding als u de airconditioning langere tijd niet gebruikt.
- ▶ Monteer de airconditioning overeenkomstig de instructies van deze handleiding. Onjuiste montage-methoden of aanpassing van het product kunnen leiden tot schade aan het product of letsel van de gebruiker.
- ▶ Reinig het filter van de airconditioning regelmatig.
- ▶ Een vuil filter verkleint de luchtstroom en leidt tot slechte verwarmings- en koelprestaties.
- ▶ Vraag de fabrikant van het voertuig of een technische inspectie nodig is na het plaatsen van de airconditioning en of de hoogte van het voertuig in de voertuigdocumenten aangepast moet worden.
- ▶ Schakel de airconditioning alleen in geval van nood uit via het hoofdnetwerk.
- ▶ Neem in het geval van storingen van de eenheid contact op met personeel voor service na de verkoop.

2.3 Kwalificaties personeel

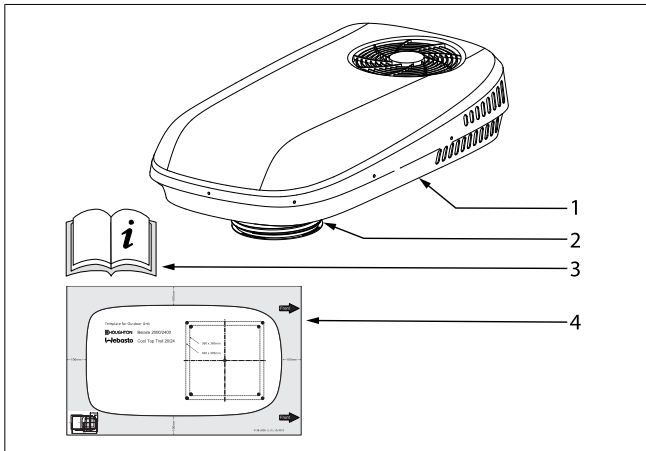
Montage- en onderhoudspersoneel moet:

- Overeenkomende kwalificaties hebben voor werken met technische/elektrische systemen.
- Gecertificeerd zijn om te werken met koelsystemen.
- Licenties hebben voor het werk beschreven in dit document.



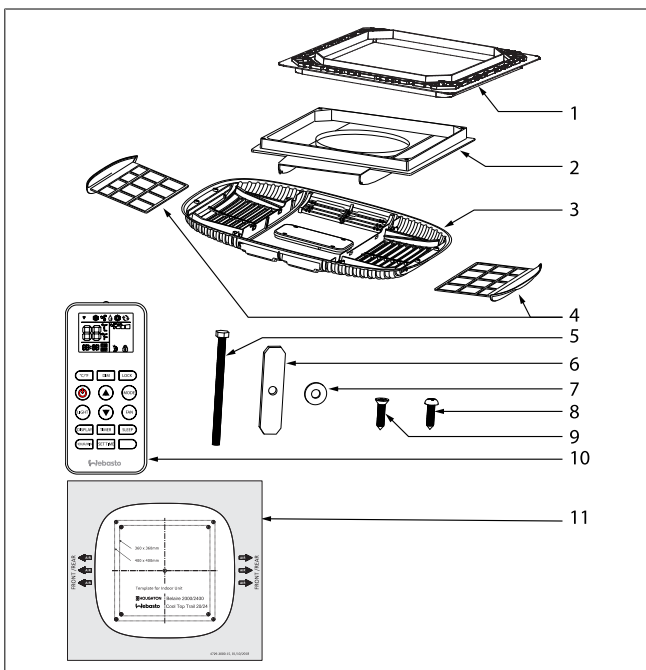
3 Leveromvang

Het systeem wordt geleverd in twee pakketten.
Controleer of de levering compleet en schadevrij is.



Afb. 1 Buiteneenheid

Pos.	Beschrijving	Hoeveelheid
1	Buiteneenheid	1
2	Luchtinlaatkanaal	1
3	Bedienings- en montagehandleiding	1
4	Sjabloon voor de buiteneenheid	1



Afb. 2 Binneneenheid

Pos.	Beschrijving	Hoeveelheid
1	Adapterframe	1
2	Bevestigingsbeugel luchtverdeler	1
3	Luchtverdeler	1
4	RetourluchtfILTER	2
5	M8x120 mm zeskantbout	4
6	Metalen spanstang	4
7	Grote M8-ring	4
8	Cilinderschroef luchtverdeler ST4.2*19	4

Pos.	Beschrijving	Hoeveelheid
9	Zelftappende verzonken schroef ST4.2*16-C	6
10	Afstandsbediening met houder en batterijen (2x AAA)	1
11	Sjabloon voor de binneneenheid	1

4 Benodigde connectors voor de CI-BUS



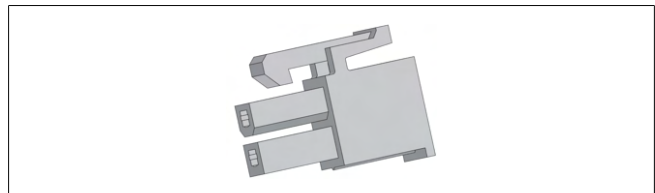
AANWIJZING

Dit hoofdstuk is alleen van toepassing als de Cool Top Trail 20 - 24 binneneenheid is voorzien van een CI-BUS-eenheid en deze CI-BUS-eenheid moet worden verbonden aan een extern CI-BUS-systeem.

De CI-BUS-eenheid moet worden verbonden met het CI-BUS-systeem in de caravan, camper of voertuig met leefruimten. Hiervoor is een CI-BUS-kabel tussen het CI-BUS-systeem en de CI-BUS-eenheid in de Cool Top Trail 20 - 24 nodig. Deze kabel wordt niet meegeleverd.

Bij twee Cool Top Trail-airconditioners is er een interconnectie-CI-BUS-kabel tussen de CI-BUS-eenheden in de airconditioners nodig. Deze kabel wordt niet meegeleverd.

De CI-BUS-kabels moeten worden aangebracht met Molex-connectors. Deze connectors worden samengesteld uit de hieronder genoemde en weergegeven onderdelen. Deze onderdelen worden niet meegeleverd.



Afb. 3 Behuizing

Molex Mini-Fit Jr. busbehuizing, dubbele rij, 2 circuits, UL 94V-2, natuurlijk

Molex onderdeelnummer:
39012020 (Engineering / oud ON 5557-02R)



Afb. 4 Krimpcontact

Molex Mini-Fit vrouwelijk krimppcontact, messing met laag tin (Sn) over koper (Cu)

Molex onderdeelnummer (kies een type):
39000038 / (Engineering / oud ON: 5556T)
39000046 / (Engineering / oud ON: 5556T2)
39000059 / oud ON: 5556PBT

5 Montagehandleiding

5.1 Algemeen

- Lees en begrijp deze handleiding voordat u begint met de montage.
- Voeg geen andere onderdelen toe en pas het product niet aan tijdens montage.
- Raadpleeg Webasto of de plaatselijke distributeur in het geval van ongewone toepassingen of montageomstandigheden die niet worden behandeld in deze handleiding.



WAARSCHUWING

Als de uitlaatpijp van een verwarmingsapparaat door het dak is gemonteerd in de buurt van de airconditioning, moet deze pijp worden verlengd tot 10 cm boven de airconditioning.

5.2 Montagevereisten

- Het dak van het voertuig kan het gewicht van de airconditioning dragen.
- De minimale dikte van het dak is 25 mm, de maximale dikte van het dak is 70 mm.
- Het dak moet vlak en glad zijn.

5.3 Verschillende grootten van uitsnede

De montage is mogelijk met verschillende grootten van uitsneden.

Een dakluik van 400 x 400 mm monteren:

1. Verwijder het dakluik en gebruik de uitsnede ervan.
2. Verwijder overtollig afdichtingsmiddel en ongelijkmatigheden.
3. Vul de schroefgaten met flexibel butyl-afdichtingsmiddel dat niet hard wordt.
4. Het adapterframe voor uitsneden van 400x400 mm is onderdeel van de levering.

Een dakluik van 360x360 mm monteren:

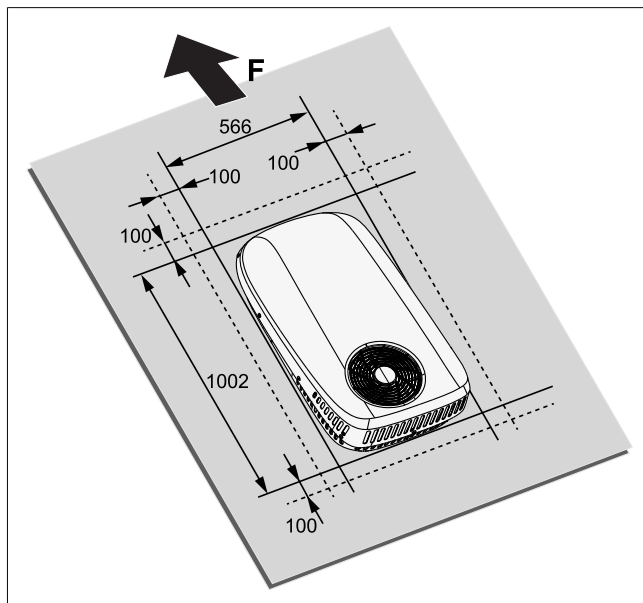
1. Verwijder het dakluik en gebruik de uitsnede ervan. U hebt een eenheid aangeschaft met een 360x360 adapterframe of moet het optionele adapterframe voor dergelijke uitsneden aanschaffen. Dit kan gebruikt worden in plaats van het adapterframe van 400x400 mm.
2. Verwijder overtollig afdichtingsmiddel en ongelijkmatigheden.
3. Vul de schroefgaten met flexibel butyl-afdichtingsmiddel dat niet hard wordt.

Een nieuwe uitsnede maken:

Afhankelijk van de grootte van het adapterframe moet u de overeenkomende uitsnede in het dak maken.

Raadpleeg de fabrikant van het voertuig voor de meest geschikte manier en positie voor het maken van een nieuwe uitsnede.

5.4 Inbouwpositie



Afb. 5 Montagerichting van de buiteneenheid

Bepaal voorafgaand aan montage de inbouwpositie:

- De beoogde locatie mag bestaande structuren en kabels niet hinderen.
- De airconditioning moet zo dicht mogelijk bij het midden van het dak gemonteerd worden.
- De inbouwpositie van de buiteneenheid moet overeenkomen met de rijrichting (F) van het voertuig.
- Zorg ervoor dat er genoeg ruimte is aan de binnenzijde van het voertuig om de luchtverdeler te monteren.
- Bepaal de montagepositie van de luchtverdeler en zorg ervoor dat de uitlaten van de luchtverdeler zich ten minste 400 mm van kasten, muren en scheidingswanden bevinden, die gekoelde lucht terug naar de retourluchtinlaat kunnen voeren. Als een uitlaat zich op minder dan 400 mm van een obstakel bevindt, moet deze afgedicht worden. Als dit niet wordt gedaan, kan dit leiden tot een eenheid die regelmatig in- en uitschakelt.
- Bij het maken van de uitsneden moeten verbindingen in het dak zoveel mogelijk ontweken worden.
- Kies een inbouwpositie tussen twee steunen in de lengte of twee secties (indien aanwezig).
- Er moet minimaal 100 mm ruimte zijn rond de dakeenheid om voor goede luchtstroom en toegang voor onderhoud te zorgen.



WAARSCHUWING

Als een luik met veiligheidsventilatiefunctie wordt vervangen door de airconditioning, moet u ervoor zorgen dat de veiligheidsventilatie wordt verplaatst naar een andere locatie.



AANWIJZING

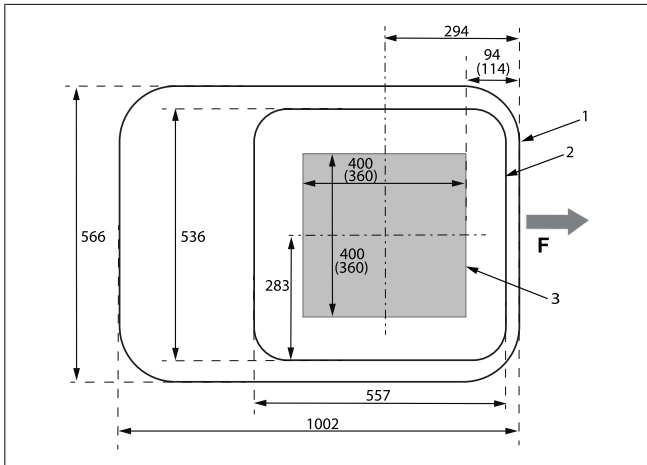
De hellingshoek van de airconditioning mag niet groter zijn dan 5° (=8,8%) en de achterzijde van de airconditioning mag niet hoger zijn dan de voorzijde.

De volgende afbeeldingen (Afb. 6, Afb. 7 en Afb. 8) tonen de vereiste montageruimte voor de buiteneenheid en de luchtverdeler aan de binnenzijde voor de twee verschillende uitsneden. Centreer de luchtverdeler met behulp van de uitsnede.



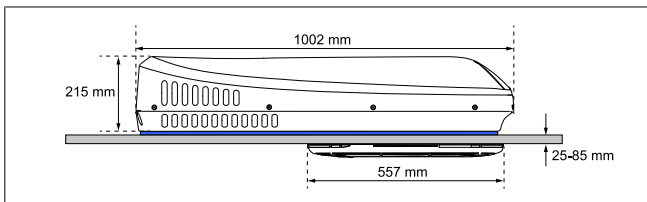
AANWIJZING

Alle afmetingen zijn in mm, tenzij anders vermeld.

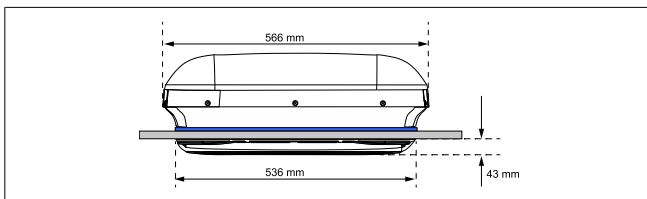


Afb. 6 Montage-afmetingen (boven-/onderaanzicht)

1	Plaats de buiteneenheid
2	Plaats de luchtverdelers
3	Vierkante uitsnede
F	Rijrichting



Afb. 7 Montage-afmetingen (zij-aanzicht)

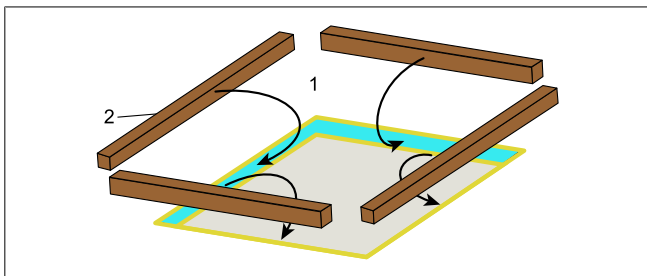


Afb. 8 Montage-afmetingen (vooraanzicht)

5.5 Dakversterking

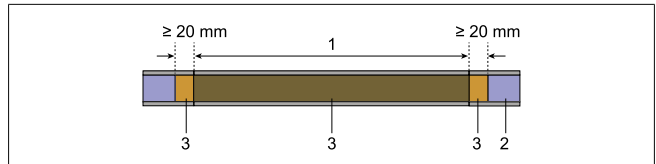
De uitsnede moet versterkt worden met een houten frame met balken die ten minste 20 mm breed zijn. Mogelijk moet u eerst echter het isolatiemateriaal verwijderen.

Het versterkingsframe is bedoeld om ervoor te zorgen dat het dak niet breekt door de montagebouten en dat gekoelde lucht niet in de plafondruimte komt.



Afb. 9 Dakversterking

1	Dak
2	Houten balken



Afb. 10 Uitsnede met houten versterking

1	Uitsnede
2	Isolatie in dak
3	Houten balken

5.6 Externe voeding



WAARSCHUWING

Gevaar op elektrocutie

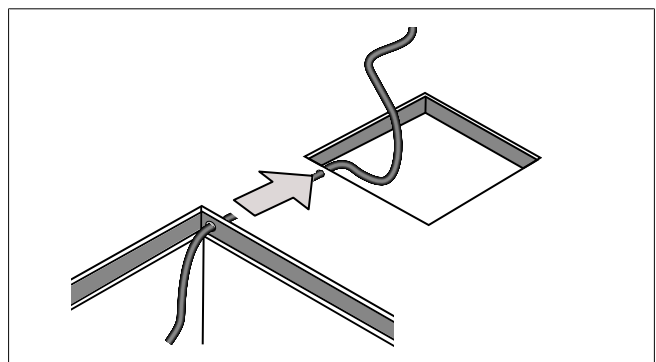
Zorg ervoor dat er geen spanning staat op de elektrisch bediende componenten voordat u eraan werkt. Zorg ervoor dat de stroomtoevoer of de stroom geleverd door inverters geïsoleerd is.



AANWIJZING

Alleen gekwalificeerde elektriciens (in Duitsland bijvoorbeeld overeenkomstig VDE 0100, deel 721 of IEC 60364-7-721), mogen de elektrische verbinding van 230 V maken.

Het is de verantwoordelijkheid van de installateur om ervoor te zorgen dat wordt voldaan aan de plaatselijke regelgeving wanneer verbinding wordt gemaakt met het hoofdnetwerk.



Afb. 11 Kabel elektrische externe voeding

1. Zorg ervoor dat de externe voeding van 230 V is verbonden met een aardlekschakelaar.
2. Monteer een stroomonderbreker met een contactspeling van ten minste 3,5 mm en een volledige poolisolatie om de kabel van de externe voeding naar de airconditioning te beschermen en onderhoud en reparaties aan de eenheid mogelijk te maken.
3. Breng een kabel voor de externe voeding van 230 V aan in de uitsnede.
4. U kunt de voedingskabel ook door de dakisolatie leiden, zoals hierboven getoond.
5. Boor een gat in de houten balk waar de voedingskabel doorheen wordt geleid.
6. Leid de kabel van de externe voeding door het gat in de houten balk voor u de balk monteert.
7. Bevestig de kabels en plaats ze zo dat er niet over gestruikeld kan worden en dat ze niet beschadigd kunnen raken.
8. Gebruik kabelgoten om kabels door wanden met scherpe randen te leiden.

9. Zorg dat de minimale dwarsdoorsnede van de kabel overeenkomt met de stroomstoot van de eenheid.
10. Plaats de kabels voor 230 V en 12/24 V niet in dezelfde kabelgoot.
11. Plaats geen losse of gebogen kabels naast elektrisch geleidend materiaal (metaal).

5.7 CI-BUS-kabel(s)



AANWIJZING

Dit hoofdstuk is alleen van toepassing als de Cool Top Trail 20 - 24 binneneenheid is voorzien van een CI-BUS-eenheid en deze CI-BUS-eenheid moet worden verbonden aan een extern CI-BUS-systeem.

Volg de instructies in hoofdstuk 5.7.1, "Assemblage CI-BUS-kabel" op pagina 115 om de CI-BUS-kabels te monteren.

Gebruik de geschikte CI-BUS-kabel om de CI-BUS-eenheid aan te sluiten op het CI-BUS-systeem.

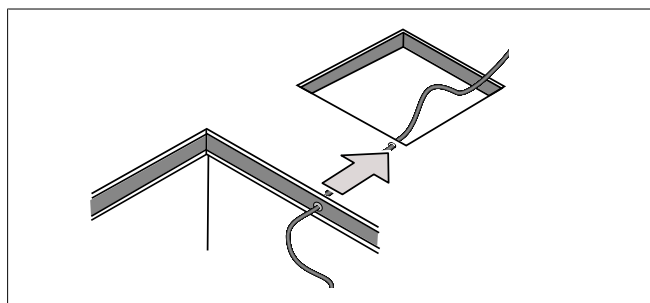
Bij installatie van twee Cool Top Trail-airconditioners moet er een interconnectie-CI-BUS-kabel worden gebruikt om de CI-BUS-eenheden aan te sluiten.



WAARSCHUWING

Gevaar op elektrocutie

Zorg ervoor dat er geen spanning staat op de elektrisch bediende componenten voordat u eraan werkt. Zorg ervoor dat de stroomtoevoer of de stroom geleverd door inverters geïsoleerd is.



Afb. 12 CI-BUS-kabel



AANWIJZING

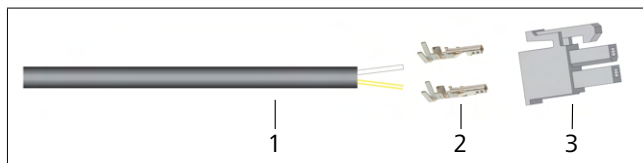
Defecte CI-BUS

Plaats geen netkabels, CI-BUS-kabels en 12/24 V kabels in dezelfde kabelgoot.

1. U kunt de CI-BUS-kabel ook door de dakisolatie leiden, zoals hierboven getoond.
2. Boor een gat in de houten balk waar de CI-BUS-kabel doorheen wordt geleid.
3. Leid de CI-BUS-kabel door het gat in de houten balk voordat u de balk monteert.
4. Bevestig de kabels en plaats ze zo dat er niet over gestruikeld kan worden en dat ze niet beschadigd kunnen raken.
5. Gebruik kabelgoten om kabels door wanden met scherpe randen te leiden.
6. Plaats geen losse of gebogen kabels naast elektrisch geleidend materiaal (metaal).
7. Leid de CI-BUS-kabel naar de binnenkant van de caravan, het voertuig of de camper.
8. Leid de CI-BUS-kabel naar de Cool Top Trail-airconditioner.
9. Bij twee Cool Top Trail-airconditioners moet er een interconnectie-CI-BUS-kabel tussen de twee CI-BUS-eenheden worden geleid.

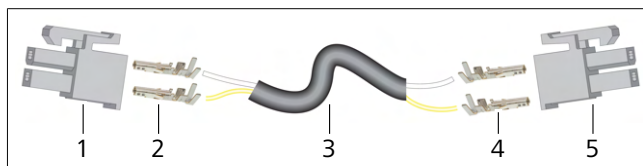
5.7.1 Assemblage CI-BUS-kabel

De CI-BUS-kabels moeten worden samengesteld met geschikte krimptacten en een overeenkomende behuizing. Zie hoofdstuk 4, "Benodigde connectors voor de CI-BUS" op pagina 112 voor specificaties. Houd altijd de richtlijnen van de fabrikant aan.



Afb. 13 Assemblage CI-BUS-kabel

1	Kabel
2	Krimptacten
3	Behuizing

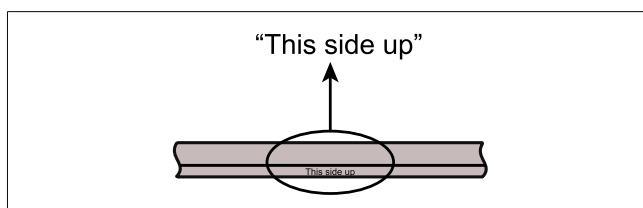


Afb. 14 Assemblage CI-BUS-interconnectiekabel tussen twee CI-BUS-eenheden

1	Behuizing CI-BUS (CI-BUS-eenheid 1)
2	Krimptacten CI-BUS (CI-BUS-eenheid 1)
3	Kabel
4	Krimptacten CI-BUS (CI-BUS-eenheid 2)
5	Behuizing CI-BUS (CI-BUS-eenheid 2)

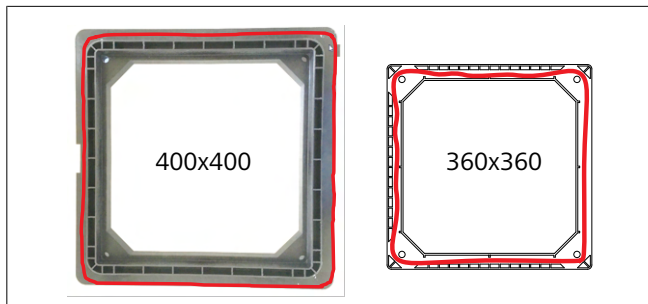
5.8 Adapterframe installeren

1. Zorg ervoor dat het dak schoon, droog en vrij van olie of vet is.
2. Steek het adapterframe in de uitsnede om ervoor te zorgen dat de voedingskabel en de CI-BUS kabel (indien van toepassing) het frame niet hinderen. Als de kabels een obstakel vormen, moet er een opening in de onderzijde van het frame gesneden of geboord worden om de kabel doorheen te leiden.
3. Bevestig de juiste richting van het frame met het label 'This side up'.



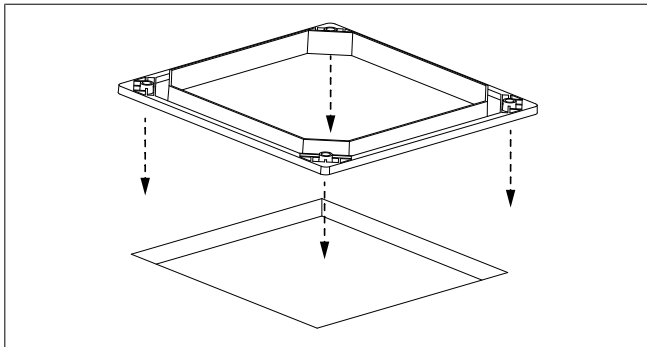
Afb. 15 Richting van het adapterframe

4. Draai het onderdeel om en breng silicoon afdichtingsmiddel aan op de achterzijde van 'This side up', zoals afgebeeld.



Afb. 16 Paden van afdichting

5. Draai het onderdeel opnieuw om en zorg ervoor dat 'This side up' omhoog wijst. Druk het onderdeel stevig in het montagegat en verwijder overtollig afdichtingsmiddel.



Afb. 17 Een effectieve afdichting maken

5.9 De buiteneenheid monteren

Plaats de buiteneenheid op het gemonteerde adapterframe en pas de positie aan om ervoor te zorgen dat de vier boutgaten in de hoeken overeenkomen.

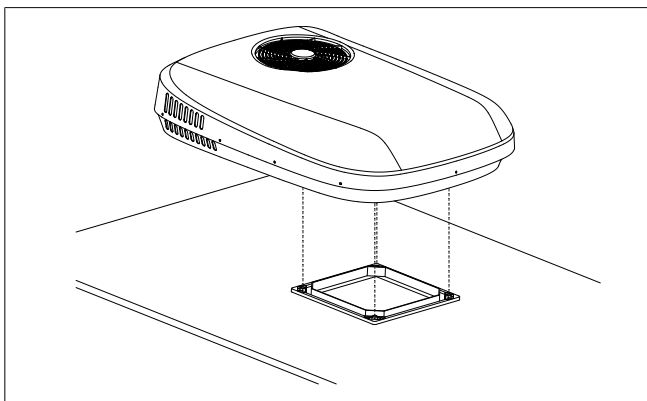
AANWIJZING

De buiteneenheid is zwaar. Zorg altijd dat er een tweede persoon is om de eenheid te helpen dragen.

Til de buiteneenheid niet op aan de bovenste witte afdekking. Til de eenheid op aan de basis.

Controleer met de M8-bouten of de gaten op de buiteneenheid zijn uitgelijnd met de gaten van de adapter. Als dit niet zo is, verplaats de buiteneenheid dan om de gaten uit te lijnen.

Breng geen extra afdichtingsmiddel aan tussen de buiteneenheid en het adapterframe.



Afb. 18 De buiteneenheid plaatsen

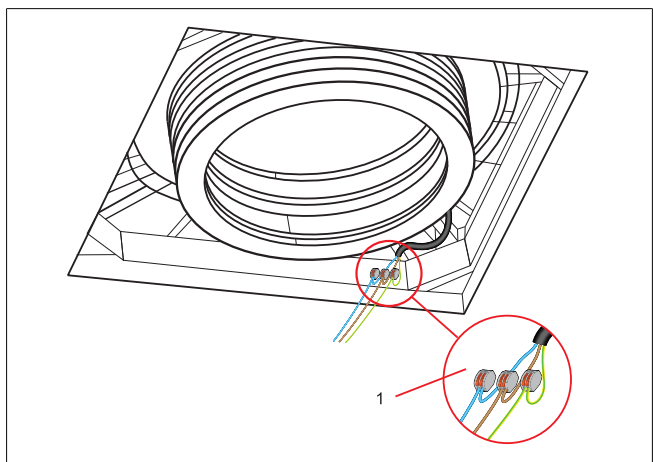
5.10 De externe voeding verbinden

1. Kijk omhoog als u zich in het voertuig bevindt en zoek de aansluitblokken (1).
2. Ontgrendel de oranje hendels.
3. Strip de draden tot een lengte van 10 mm (voor WAGO 222-412).
4. Steek de draden van de voedingskabel in de tweepolige aansluitblokken. Koppel de actieve, neutrale en aarddraden.
5. Vergrendel de oranje hendels om ervoor te zorgen dat de stroomdraad goed en stevig bevestigd is.



AANWIJZING

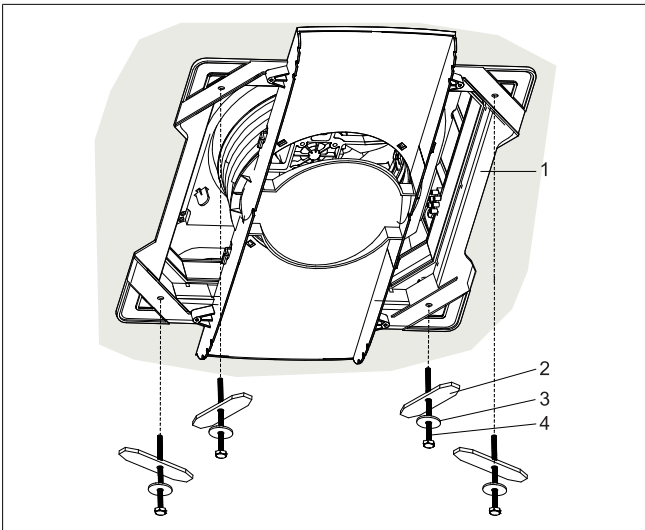
Als de verbindingen niet goed worden bevestigd, kan dat leiden tot kortsluiting of brand.



Afb. 19 Locatie van de aansluitblokken

5.11 De bevestigingsbeugel van de luchtverdeler monteren

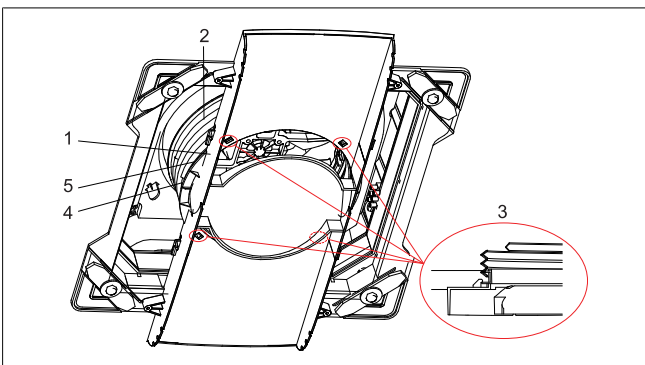
1. Bereid de M8-bouten (4), ringen (3) en metalen spanstangen (2) voor zoals getoond.
2. Breng de bevestigingsbeugel voor de luchtverdeler (1) richting de airconditioning.
3. Plaats de M8-bouten, ringen en metalen spanstangen in de vier hoekgaten van de bevestigingsbeugel van de luchtverdeler.
4. Schroef de bouten met de hand in het schroefdraad om te verzekeren dat ze zijn bevestigd.
5. Zorg ervoor dat alle bouten op de juiste manier zijn bevestigd. Draai ze ten minste twee rotaties aan om verkeerd in draaien te voorkomen.
6. Zorg ervoor dat de metalen spanstangen zijn uitgelijnd met de overeenkomende uitsparing in de bevestigingsbeugel van de luchtverdeler terwijl de bouten worden aangedraaid.
7. Draai ten slotte alle bouten gelijkmatig vast met 7 Nm.



Afb. 20 De bouten monteren

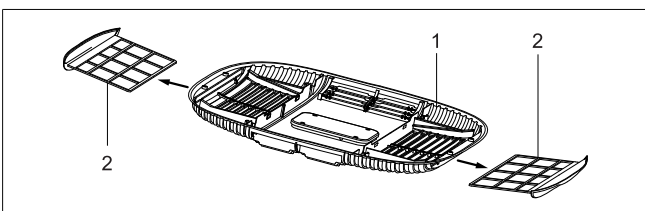
5.12 Het luchtinlaatkanaal verbinden

1. Pak het vrije uiteinde van het luchtinlaatkanaal (2) en trek het omlaag tot het de bevestigingsbeugel van de luchtverdeler (1) raakt.
2. Blijf de rand van het kanaal omlaag trekken tot deze contact maakt met de vier luiken (3) op de bevestigingsbeugel van de luchtverdeler.
3. Het kanaal is juist verbonden wanneer u duidelijke klikgeluiden hoort van de vier luiken en wanneer de rand van het kanaal (5) parallel is aan het oppervlak van de beugel (4).



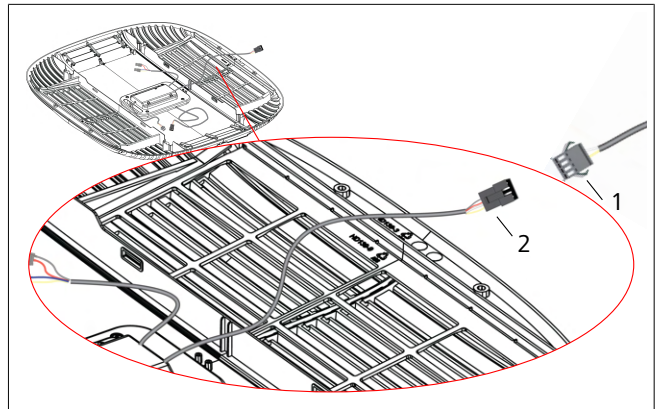
Afb. 21 Het luchtinlaatkanaal verbinden

5.13 De kabels van de binnen- en buiteneenheid verbinden



Afb. 22 Het luchtfilter verwijderen

1. Verwijder het luchtfilter van de luchtverdeler door beide lipjes (1) naar binnen (2) en vervolgens naar beneden (3) te duwen.



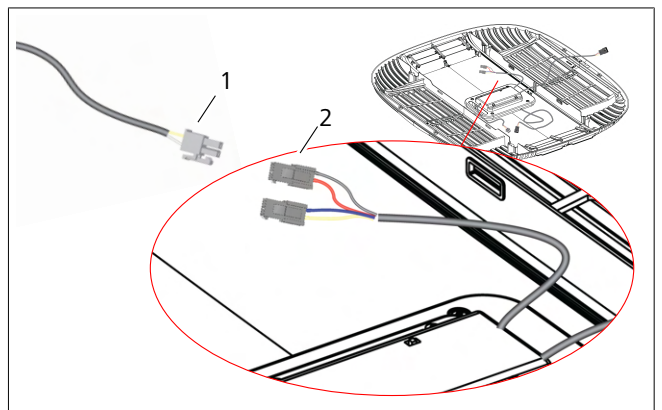
Afb. 23 De connector van de buiteneenheid aansluiten op de CI-BUS-eenheid

2. Steek de connector van de buiteneenheid (1) in de overeenkomstige connector (2) van de CI-BUS-eenheid.

5.14 De CI-BUS-kabels verbinden

AANWIJZING

Dit hoofdstuk is alleen van toepassing als de Cool Top Trail 20 - 24 binneneenheid is voorzien van een CI-BUS-eenheid en deze CI-BUS-eenheid moet worden verbonden aan een extern CI-BUS-systeem.



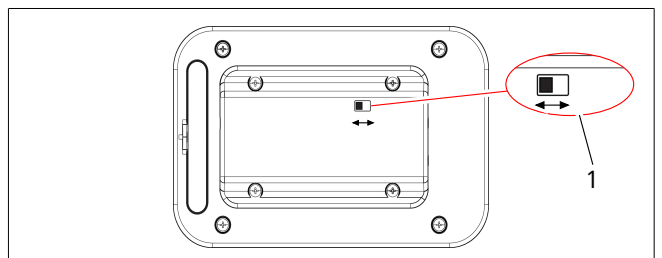
Afb. 24 Het CI-BUS-systeem aansluiten op de CI-BUS-eenheid

1. Steek de CI-BUS-connector (1) in de overeenkomstige CI-BUS-connector (2) van de CI-BUS-eenheid.

AANWIJZING

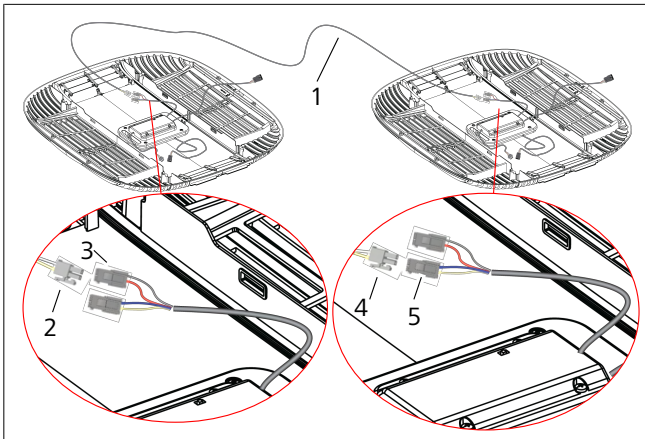
Schakelaarinstellingen

Bij twee Cool Top Trail-airconditioners met een gemonterde CI-BUS-eenheid moet de ID-schakelaar van elke CI-BUS-eenheid anders ingesteld worden.



Afb. 25 Bovenaanzicht van de CI-BUS-eenheid

2. Zet de ID-schakelaar (1) in de linkerpositie voor de ene CI-BUS-eenheid en in de rechterpositie voor de andere CI-BUS-eenheid.

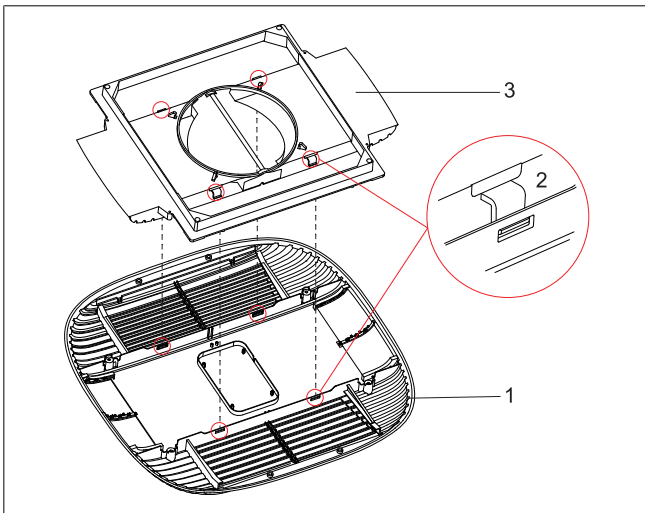


Afb. 26 Twee CI-BUS-eenheden aansluiten

3. Bij installatie van twee Cool Top Trail-airconditioners moet de interconnectiekabel worden gebruikt (1).
4. Steek de connector (2) van de kabel in de CI-BUS-connector (3) van de eerste CI-BUS-eenheid.
5. Steek de andere connector (4) van de kabel in de extra CI-BUS-connector (5) van de tweede CI-BUS-eenheid.

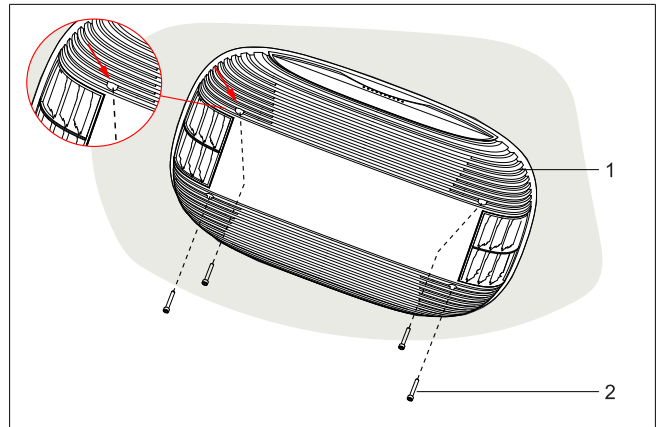
5.15 De luchtverdeler monteren

1. Bevestig de luchtverdeler (1) aan de bevestigingsbeugel voor de luchtverdeler (3) door de twee onderdelen te verbinden.
 - U hoort vier klikgeluiden van de luiken (2) als de luchtverdeler (1) en de bevestigingsbeugel (3) aan elkaar worden bevestigd.



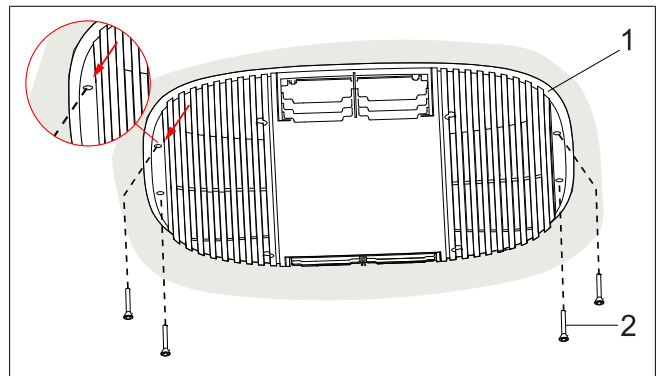
Afb. 27 De luchtverdeler bevestigen aan de bevestigingsbeugel

2. Maak de luchtverdeler (1) vast aan de bevestigingsbeugel van de luchtverdeler met vier ST4,2*19 cilinderschroeven (2).



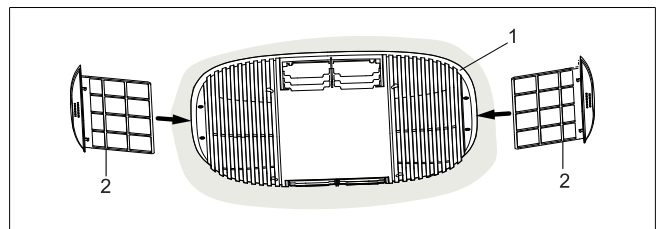
Afb. 28 De luchtverdeler vastmaken aan de bevestigingsbeugel

- De volgende stap is optioneel. Het doel van deze stap is een eventueel gat tussen de luchtverdeler en het dak van het voertuig te dichtn met 4 verzonken schroeven.
 - Om deze schroeven te monteren:
3. Maak de luchtverdeler (1) vast aan het plafond met 4 verzonken schroeven (2).



Afb. 29 De luchtverdeler vastmaken aan het dak

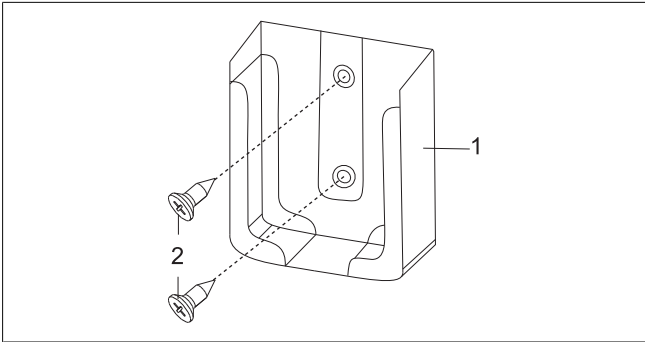
4. Monteer de luchtfilters (2) zoals hieronder afgebeeld:



Afb. 30 De luchtfilters monteren

5.16 De houder voor de afstandsbediening monteren

1. Zoek een goede locatie om de houder voor de afstandsbediening (1) te monteren.
2. Gebruik twee verzonken schroeven (2) om de houder te bevestigen.



Afb. 31 Houder afstandsbediening

5.17 Het systeem testen

- Test alle functies van de airconditioning zoals beschreven in hoofdstuk 6, "Bedieningshandleiding" op pagina 120.
- Controleer na montage van de buiteneenheid of de condensaatuitlaten vrij zijn.
- Pas indien nodig de hoogte en het gewicht van het voertuig aan in de voertuigdocumenten.
- Geef dit document aan de nieuwe eigenaar van het voertuig.

6 Bedieningshandleiding

6.1 Voor gebruik



AANWIJZING

Controleer, voor u de eenheid inschakelt, of de spanning en frequentie overeenkomen met de waarden van de airconditioning.



AANWIJZING

Zorg ervoor dat de externe voeding genoeg spanning levert.



AANWIJZING

Om te voorkomen dat de verlengkabel van de externe voeding naar het voertuig oververhit raakt en spanning verliest, moet de kabelhaspel volledig afgerold worden.



AANWIJZING

De verlengkabel moet een minimale dwarsdoorsnede van 3 x 2,5 mm² hebben.



AANWIJZING

Controleer of de luchtuitlaat en inlaatroosters niet worden afgedekt door doeken, papier of andere objecten.



AANWIJZING

Verwijder het klepje van de afstandsbediening, plaats twee (2) AAA LR3 lekvrije batterijen in de afstandsbediening. Plaats het klepje terug.



AANWIJZING

Richt de afstandsbediening op de luchtverdelers om voor een goede signaaloverdracht te zorgen. De luchtverdelers piept als deze een signaal ontvangt.



AANWIJZING

De pictogrammen die worden getoond op het display van de afstandsbediening zijn afhankelijk van de instellingen die u opent.



AANWIJZING

Nadat de modus **COOL** of **HEAT** is geselecteerd kan het tot drie minuten duren voordat de compressor start. Deze functie beschermt de compressor.



AANWIJZING

Zie hoofdstuk 6.10, "De systeemklok instellen" op pagina 123 om de systeemklok in te stellen.

6.2 Effectief opwarmen en koelen

De volgende algemene maatregelen zijn handig om de hittebelasting in een voertuig te verlagen en de prestaties van de airconditioning te verbeteren:

- Parkeer uw voertuig zover mogelijk in de schaduw.
- Plaats het voertuig met het zonnescherm aan de zonzijde. Dit vermindert blootstelling aan direct zonlicht.
- Sluit alle deuren, dakramen en ramen, sluit de gordijnen en open het zonnescherm of schaduwdoek.
- Schakel alle ongebruikte elektrische apparaten in het voertuig uit. Hierdoor wordt de hittebelasting verder verlaagd.
- Kook indien mogelijk buiten het voertuig.
- Schakel de airconditioning bij uitzonderlijk hoge temperaturen al 's ochtends in.
- Als de binnenzijde van het voertuig al is opgewarmd, kunt u het voertuig ventileren door ramen en deuren te openen **voordat** u de airconditioning start.
- Vuile daken warmen sneller op. Reinig het dak dus regelmatig.

Er zijn veel factoren die invloed hebben op de totale hittebelasting binnen het voertuig en zo kunnen ook veel andere factoren invloed hebben op de efficiëntie van de airconditioning. Het is aan te raden de fabrikant van uw voertuig te raadplegen om de totale hittebelasting van uw voertuig te weten.

6.3 Omgaan met condensatie

Wanneer warme, vochtige lucht in een voertuig in contact komt met een koud oppervlak, kan er condenswater worden gevormd. Dit wordt ook wel 'zweten' genoemd. Om hiermee om te gaan:

- Sluit alle deuren, dakramen en ramen en dicht ze af. Dit vermindert de aanvoer van warme, vochtige lucht.
- Gebruik de binnenventilator op **hoge** snelheid, voorkom **lage** en **automatische** ventilatorsnelheden.

Tijdens gebruik van de airconditioning wordt er condenswater geproduceerd en afgelaten op het dak. Dit is normaal. De hoeveelheid condenswater is afhankelijk van de luchtvochtigheid. Hoge luchtvochtigheid in het voertuig leidt ertoe dat er meer condenswater wordt gegenereerd.



AANWIJZING

Verliezen of schade door condenswater vallen niet onder de garantie.

6.4 Een generator of omvormer kiezen en gebruiken

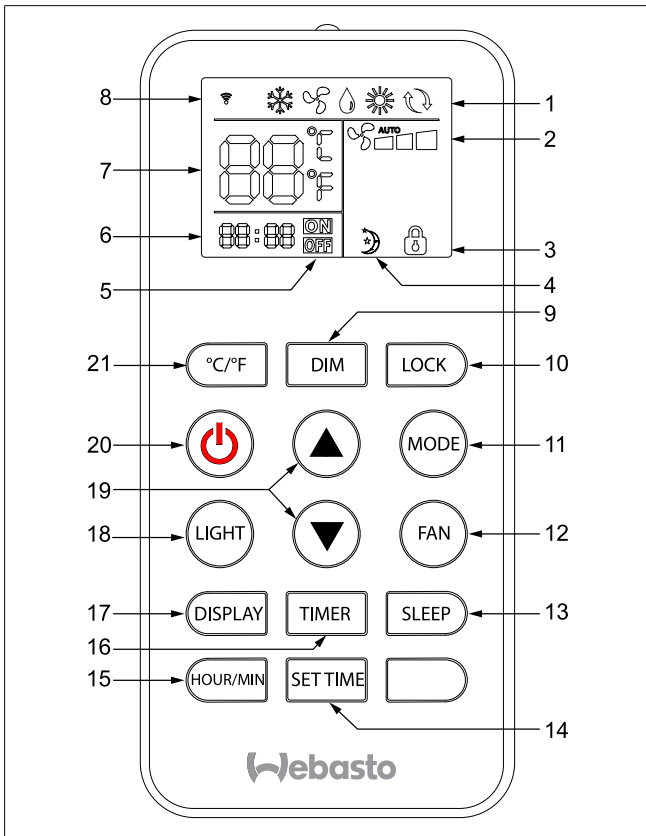
De CTT 20 - 24 vereist een AC-voeding met een spanningskwaliteit van het hoofdnetwerk voor juiste werking. Als u ervoor kiest een generator of omvormer te gebruiken, moet u de leverancier van de generator/omvormer raadplegen om te controleren of de generator/omvormer geschikt is voor uw toepassing en welke maat gebruikt moet worden.



AANWIJZING

Verlies of schade door het gebruik van een generator of omvormer valt niet onder de garantie.

6.5 De afstandsbediening gebruiken



Afb. 32 Overzicht afstandsbediening

Pictogrammen op Informatie het display	
1	Weergave modus COOL/FAN/DRY/HEAT/AUTO (koelen/ventilator/ontvochtiging/verwarming/automatisch)
2	Weergave ventilatorsnelheid Low/Medium/High/Auto (laag/gemiddeld/hoog/automatisch)
3	Weergave vergrendelfunctie -
4	Weergave slaapfunctie -
5	Statusindicator timer ON/OFF -
6	Weergave klok/timer Realtime klok, tijd van timer tijdens instellen.
7	Temperatuurdisplay Toont het instelpunt van de temperatuur of de binnentemperatuur. Eenheden in °C of °F.
8	Gegevensoverdracht Pictogrammen worden kort getoond als de afstandsbediening gegevens verzendt naar de airconditioning.

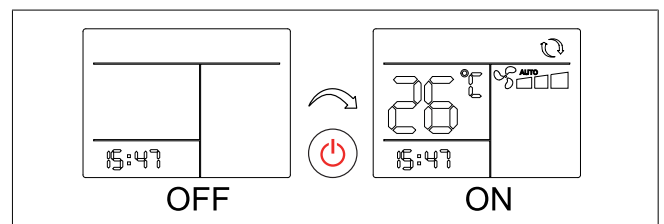
Bedieningsknoppen	Functie
9 DIM*	Selecteert de helderheid van de ledlichten: 25%, 50%, 75%, 100%
10 LOCK	Schakelt de touchbediening van de luchtverdeler uit wanneer de eenheid is ingeschakeld. Druk nogmaals op de knop om te ontgrendelen.
11 MODE	Selecteert de bedrijfsmodus COOL/DRY/FAN/HEAT/AUTO (koelen/ontvochtiging/ventilator/verwarming/automatisch).

Bedieningsknoppen	Functie
12 FAN	Selecteert de ventilatorsnelheid laag/gemiddeld/hoog of automatisch. Automatische ventilatorsnelheid is alleen mogelijk in de modus COOL/HEAT. Met automatische ventilatorsnelheid schakelt de ventilator automatisch tussen laag, gemiddeld en hoog.
13 SLEEP	Selecteert de modus SLEEP. Alleen beschikbaar in de modus COOL of HEAT.
14 SET TIME	Voert de instellingsmodus voor klok/timer in.
15 HOUR/MIN	Schakelt tussen instelling in uren en minuten.
16 TIMER	Activeert verschillende timerinstellingen.
17 DISPLAY	Schakelt de display van de luchtverdeler aan/uit.
18 LIGHT*	Schakelt de ledlichten van de luchtverdeler aan/uit.
19 Pijlen omhoog/omlaag	Passen het instelpunt voor de temperatuur, de klok of de timer aan.
20 AAN/UIT	Schakelt het systeem aan/uit.
21 °C/°F	Selecteert de temperatureenheden van de temperatuurdisplay in Celsius of Fahrenheit.

* Alleen van toepassing op eenheden met ledlichten.

6.6 De eenheid AAN en UIT zetten

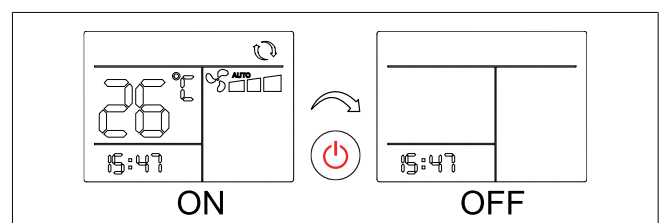
Druk op de -knop op de afstandsbediening om de eenheid in te schakelen.



Afb. 33 De eenheid aanzetten


- De eenheid schakelt in en de display van de luchtverdeler toont de ingestelde temperatuur en bedrijfsmodus.
- De display van de afstandsbediening toont de ingestelde temperatuur, bedrijfsmodus en ventilatorsnelheid.
- De laatste instellingen worden opgehaald.
- De binnenventilator kan direct starten als de eenheid op ventilatie- of koelmodus staat. In de verwarmingsmodus ontstaat een vertraging, omdat de binnenste spoel eerst opwarmt en vervolgens de binnenventilator aan gaat - een koude tocht wordt hierdoor voorkomen.
- Het kan tot drie minuten duren voordat de compressor start. Dit is een functie om de compressor te beschermen.

Om de eenheid uit te zetten, drukt u opnieuw op de -knop.





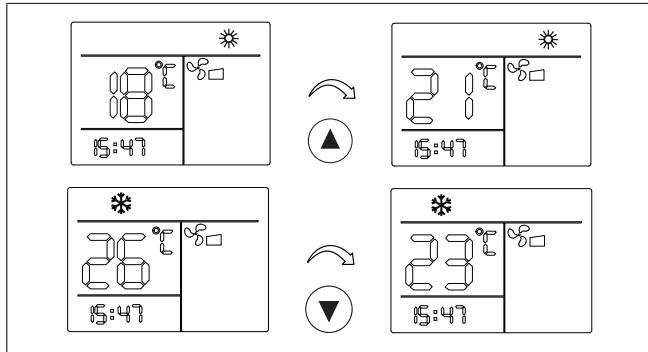
Afb. 34 De eenheid uitschakelen

- De eenheid schakelt uit en de display van de luchtverdeler wordt leeg.
- De display van de afstandsbediening toont alleen de klok.

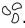
U kunt de eenheid ook in- en uitschakelen door op de knop  op de luchtverdeler te drukken, zie hoofdstuk 6.16, "De luchtverdelers gebruiken zonder de afstandsbediening" op pagina 125 voor details.

6.7 De temperatuur instellen

Gebruik de knoppen  en  om de ingestelde temperatuur aan te passen.



Afb. 35 De temperatuur instellen

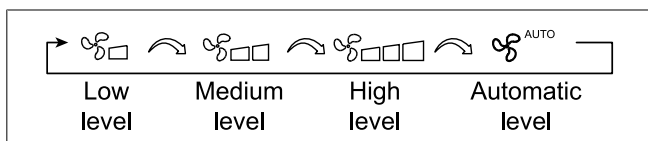
- De display van de afstandsbediening en de display van de luchtverdelers tonen de ingestelde temperatuur.
- De airconditioning bevestigt elke waardewijziging met een pieptoon.
- U kunt de temperatuur instellen tussen 16 en 30 °C terwijl de eenheid draait.
- U kunt de temperatuur niet instellen in de modus FAN .

6.8 De ventilatorsnelheid instellen

Gebruik de knop FAN om de ventilatorsnelheid in te stellen.

- De ventilatorsnelheid heeft invloed op het volume van de luchtstroom.
- Elke keer dat er op de FAN-knop wordt gedrukt, wordt het ventilatieniveau gewijzigd in de volgorde zoals hieronder getoond.

AUTO geeft aan dat de automatische ventilatormodus is geselecteerd. In deze modus kan de ventilatorsnelheid automatisch aangepast worden. Automatische ventilatormodus is alleen beschikbaar in bedrijfsmodus COOL of HEAT.



Afb. 36 De ventilatorsnelheid instellen

6.9 De bedrijfsmodus instellen


Druk op de MODE-knop op de afstandsbediening om de bedrijfsmodus te wijzigen. De afstandsbediening toont de geselecteerde symbolen.

- Elke keer dat er op de MODE-knop wordt gedrukt, wordt de modus gewijzigd in de volgorde zoals hieronder getoond.

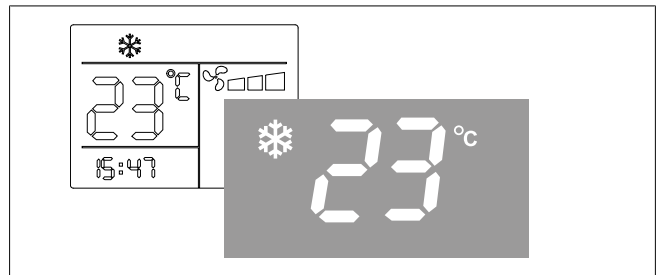


Afb. 37 De bedrijfsmodus instellen

Modus COOL


- In de modus COOL toont de luchtverdelers het pictogram  en wordt het voertuig gekoeld.
- De ingestelde temperatuur en ventilatorsnelheid kunnen handmatig geselecteerd worden.

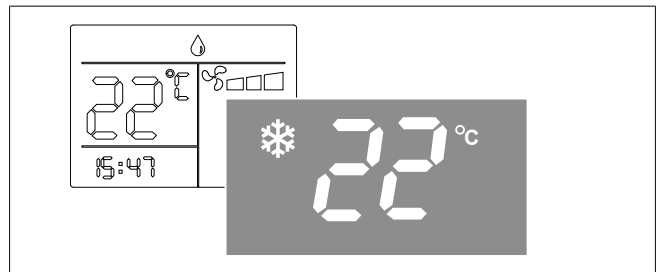
- De compressor schakelt uit wanneer de ingestelde temperatuur is bereikt. De compressor start automatisch wanneer de ingestelde temperatuur van de ruimte wordt overschreden.



Afb. 38 Modus COOL

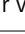
Modus DRY

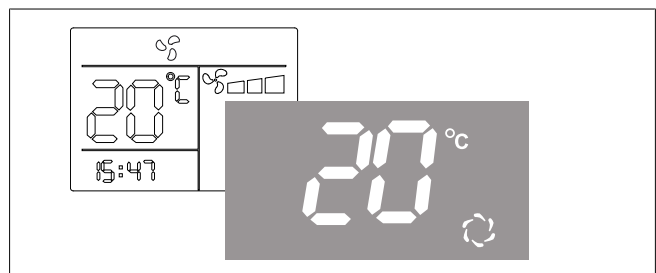
- In de modus DRY vermindert de eenheid de luchtvochtigheid in het voertuig.
- Stel de temperatuur 1 °C lager in dan de huidige temperatuur van de ruimte.
- De luchtverdelers toont het pictogram .



Afb. 39 Modus DRY

FAN mode

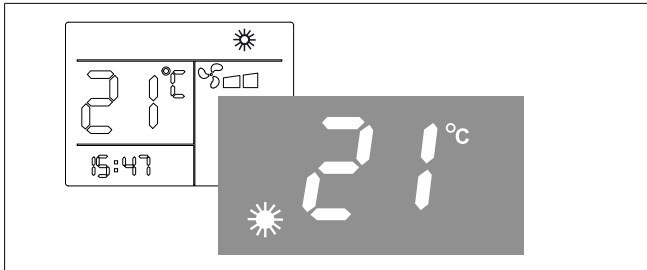
- In de FAN-modus wordt de lucht in het voertuig door het voertuig gecirculeerd zonder dat er verwarmd of gekoeld wordt.
- U kunt de ventilatorsnelheid handmatig instellen.
- De luchtverdelers toont het pictogram  en de huidige temperatuur van de ruimte.



Afb. 40 FAN mode

Modus HEAT*

- In de modus HEAT toont de luchtverdeler het pictogram * en wordt het voertuig verwarmd.
- U kunt de temperatuur en ventilatorsnelheid handmatig instellen.
- De compressor schakelt uit wanneer de ingestelde temperatuur is bereikt. De compressor start automatisch wanneer de ingestelde temperatuur van de ruimte daalt tot onder het instelpunt.



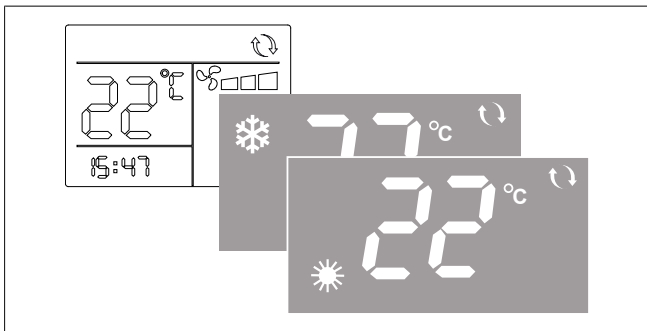
Afb. 41 Modus HEAT

AANWIJZING

Bij gebruik in de verwarmingsmodus bij lage omgevingstemperaturen, ontdooit de eenheid de warmtewisselaar buiten regelmatig. De luchtverdeler toont 'df' tijdens het ontdooien en gaat weer verder met verwarmen als ontdooien is voltooid.

Modus AUTO

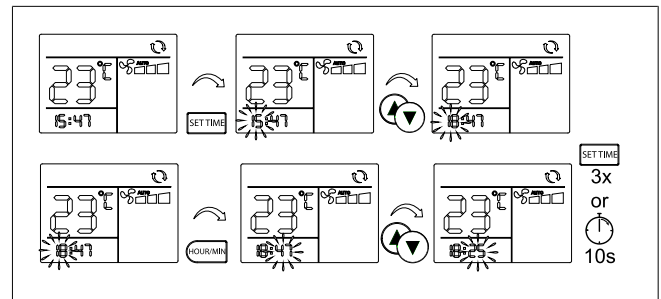
- In de modus AUTO selecteert de eenheid de verwarmings- of koelmodus afhankelijk van het verschil tussen de huidige temperatuur van de ruimte en het instelpunt van de temperatuur.
- U kunt de temperatuur en ventilatorsnelheid handmatig selecteren.
- De luchtverdeler toont het pictogram * in de verwarmingsmodus en het pictogram ❄ in de koelmodus, alsook de ingestelde temperatuur.



Afb. 42 Modus AUTO

6.10 De systeemklok instellen

1. Druk op de knop SET TIME. De getallen voor het **uur** knipperen.
2. Druk op de knop ▲/▼ om het uur in te stellen.
3. Druk op de knop HOUR/MIN. De getallen voor **minuut** knipperen.
4. Druk op de knop ▲/▼ om de minuten in te stellen.
5. Druk drie keer op de knop SET TIME om de instellingsmodus af te sluiten. Of wacht 10 seconden tot de getallen stoppen met knipperen.



Afb. 43 De systeemklok instellen

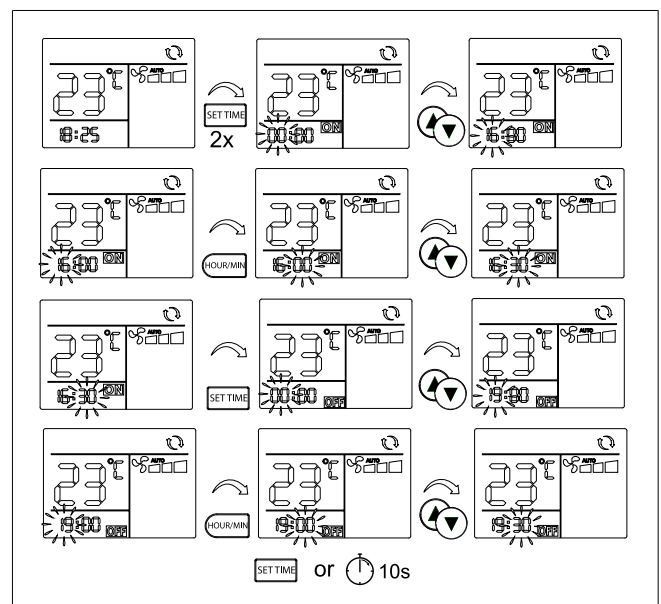
6.11 De timer instellen

De timer kan ingesteld worden om de eenheid in- en uit te schakelen op een voorgeprogrammeerd tijdstip. Eerst moeten deze tijdstippen ingesteld worden.

1. Druk twee keer op de knop SET TIME tot ON rechtsbovenin de klok wordt getoond en de getallen voor het **uur** knipperen.
2. Druk op de knop ▲/▼ om het **uur** in te stellen waarop de eenheid ingeschakeld moet worden.
3. Druk op de knop HOUR/MIN en druk op de knop ▲/▼ om de **minuten** in te stellen.
4. Druk nogmaals op de knop SET TIME tot OFF linksbovenin de klok wordt getoond en de getallen voor het **uur** knipperen.
5. Druk op de knop ▲/▼ om het **uur** in te stellen waarop de eenheid uitgeschakeld moet worden.
6. Druk op de knop HOUR/MIN en druk op de knop ▲/▼ om de **minuten** in te stellen.
7. Druk opnieuw op de knop SET TIME om de instellingsmodus af te sluiten. De kloktijd wordt getoond. Of wacht 10 seconden tot de getallen stoppen met knipperen.

AANWIJZING

De aan- en uittijden van de timer zijn nu ingesteld maar deze moeten afzonderlijk geactiveerd worden. Zie hoofdstuk 6.12, "De timer activeren" op pagina 124.



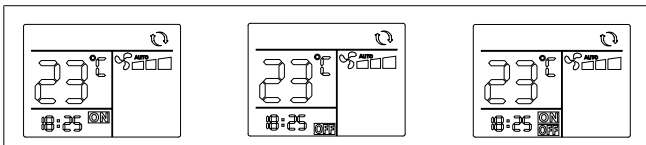
Afb. 44 De timer instellen

6.12 De timer activeren

Selecteer de bedrijfsmodus, de ingestelde temperatuur en de gewenste ventilatorsnelheid voordat u de timer activeert.

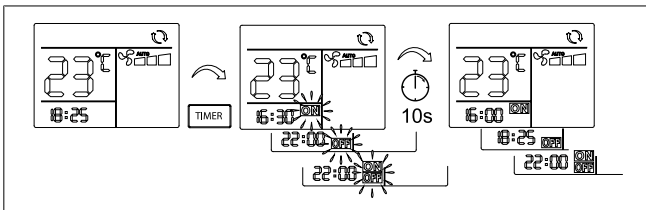
Als de start- en stoptijden zijn ingesteld (zie hoofdstuk 6.11, "De timer instellen" op pagina 123) kan een van de drie verschillende timer-modi geactiveerd worden:

- Modus TIMER ON
In deze modus wordt de eenheid ingeschakeld op de gewenste aan-tijd en blijft actief.
- Modus TIMER OFF
In deze modus stopt de eenheid op de gewenste uit-tijd en blijft uit.
- Modus TIMER ON/OFF
In deze modus wordt de eenheid ingeschakeld op de aan-tijd en uitgeschakeld op de uit-tijd. Dit patroon wordt elke dag herhaald.



Afb. 45 Modi TIMER

1. Druk op de knop TIMER tot ON, OFF of beide pictogrammen knipperen, afhankelijk van welke timermodus u wilt gebruiken.
2. Om de selectie te bevestigen wacht u 10 seconden tot het pictogram stopt met knipperen en blijft branden. De klok-tijd wordt opnieuw getoond.




Afb. 46 De timer activeren

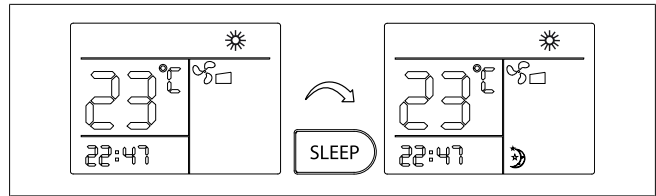
AANWIJZING

Als de klok wordt getoond zonder pictogram ON/OFF, hebt u de timer nog niet geactiveerd.

6.13 De slaapfunctie instellen

De slaapfunctie past de waarde van de doeltemperatuur automatisch aan voor een aangename slaapt temperatuur. De modus verlaagt ook de bedrijfstijd van de compressor en het energieverbruik en geluidsniveau.

1. Druk op de knop SLEEP om de slaapfunctie te activeren.
 - Het pictogram  op de display van de afstandsbediening gaat branden om aan te geven dat de slaapfunctie geactiveerd is.
 - In de modus COOL wordt de ingestelde temperatuur automatisch verhoogd in twee stappen en is na twee uur verhoogd met 2 °C.
 - In de modus HEAT wordt de ingestelde temperatuur automatisch verlaagd in drie stappen en is na twee uur verlaagd met 3 °C.
 - De slaapfunctie is alleen beschikbaar in de modus COOL of HEAT.
2. Druk nogmaals op de knop SLEEP om de slaapfunctie te deactiveren.

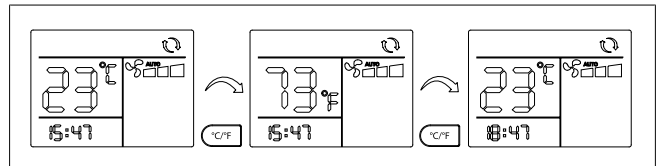


Afb. 47 De slaapfunctie instellen

6.14 De temperatuureenheid wijzigen

Druk op de knop °C/°F om te selecteren welke temperatuureenheid u wilt weergeven: Celsius of Fahrenheit.

- U kunt dit doen in alle modi.
- De display op de luchtverdeler volgt de selectie die is gemaakt op de afstandsbediening.

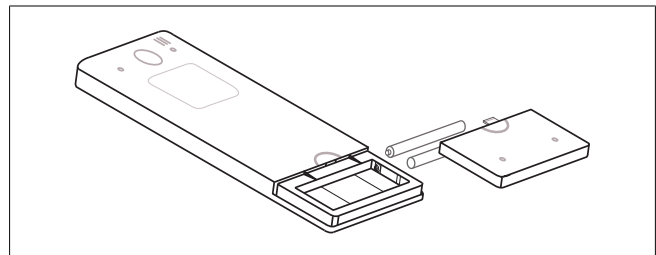


Afb. 48 Selectie van Celsius of Fahrenheit

6.15 De afstandsbediening resetten

Om de afstandsbediening terug te zetten naar de fabrieksinstellingen:


1. De batterijen verwijderen en weer terugplaatsen. Zie ook hoofdstuk 7.2, "Batterijen van de afstandsbediening" op pagina 125.
2. De klok opnieuw instellen. Zie hoofdstuk 6.10, "De systeemklok instellen" op pagina 123.
3. De timer opnieuw activeren, indien in gebruik. Zie hoofdstuk 6.12, "De timer activeren" op pagina 124.

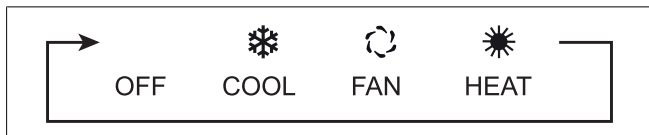


Afb. 49 De afstandsbediening resetten

6.16 De luchtverdeler gebruiken zonder de afstandsbediening

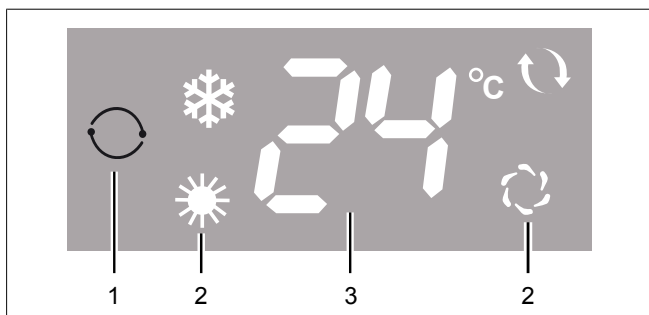
U kunt de basisfuncties van de airconditioning bedienen met de knop op de display van de luchtverdeler. Dit is handig als u de afstandsbediening niet kunt vinden of als de batterijen van de afstandsbediening leeg zijn.

1. Druk op de knop  op de display van de luchtverdeler. Elke keer dat u de knop aanraakt, worden de modi OFF, COOL, FAN en HEAT langsgestaan.



Afb. 50 De bedrijfsmodus instellen

- In de modi koelen en verwarmen, wordt het instelpunt van de temperatuur automatisch ingesteld op 24 °C en de ventilatorsnelheid ingesteld op HOOG.
2. Gebruik de afstandbediening om een andere temperatuur of ventilatorsnelheid te selecteren.
 3. U kunt de modus AUTO niet selecteren op de luchtverdeler, maar de display toont het pictogram 'auto mode' rechtsbovenin als deze modus wordt geselecteerd op de afstandsbediening.



Afb. 51 Display van de luchtverdeler

1	Knop
2	Pictogrammen bedrijfsmodus
3	Temperatuurdisplay

6.17 De luchtuitlaten verstellen

Pas de richting en hoek van de luchtuitlaat aan door één blad rond de as te draaien. De drie bladen bewegen tegelijk.



Afb. 52 De luchtuitlaten verstellen

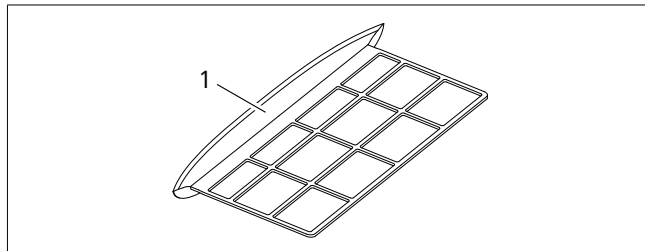
7 Onderhoud

7.1 Luchtfilter

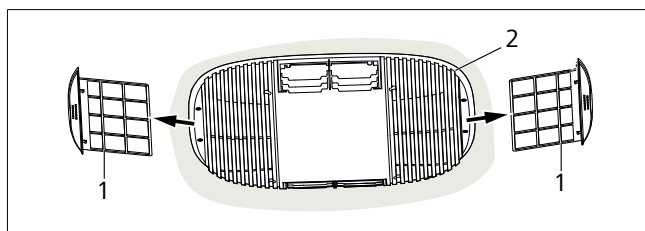
De retourluchtfilters moeten regelmatig onderhouden worden.

- Controleer en reinig de filters elke week als deze gebruikt worden, om te voorkomen dat de filters worden geblokkeerd door vuil.
- De filters moeten regelmatig gereinigd worden om effectieve koeling en verwarming te verzekeren.

1. Verwijder de filters (1) uit de luchtverdeler (2).
2. Reinig de filters met warm water en reinigingsmiddel.
3. Eerst laten drogen voordat u ze weer gaat inbouwen.



Afb. 53 Luchtfilter



Afb. 54 De luchtfilters verwijderen



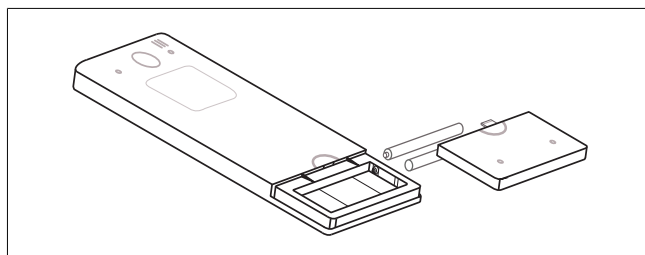
AANWIJZING

Vervangende filters kunnen afzonderlijk besteld worden.

Bedien de airconditioning nooit zonder filter. Dit kan ervoor zorgen dat de warmtewisselaar defect raakt en kan leiden tot vermogensverlies.

7.2 Batterijen van de afstandsbediening

- Vervang de batterijen van de afstandsbediening (2x AAA) als de display van de afstandsbediening onleesbaar en/of wazig wordt.
- Verwijder de batterijen uit de afstandsbediening als deze gedurende een lange tijd niet wordt gebruikt om schade door lekkende batterijen te voorkomen.



Afb. 55 Batterijen van de afstandsbediening

Zie ook hoofdstuk 6.15, "De afstandsbediening resetten" op pagina 124.



Alle batterijen en elektronische apparaten zijn onderhevig aan de Europese richtlijn 2006/66/EG of 2002/96/EG en mogen niet als huishoudelijk afval worden verwijderd. Zie ook <https://eur-lex.europa.eu/advanced-search-form.html>.

Elke klant is wettelijk verplicht batterijen en elektronische apparatuur weg te gooien in de juiste recyclebakken bij een afvalverzamelpunt. Het inleveren van batterijen en elektronische apparatuur is gratis.

Zie ook: hoofdstuk 9, "Verwijdering" op pagina 128.

7.3 Controle van bouten

Controleer de vier bouten die de eenheid aan het dak bevestigen drie maanden na de montage op goede bevestiging.

Controleer de bouten regelmatig, ten minste elke twaalf maanden. Draai indien nodig opnieuw aan tot 7 Nm.

7.4 Regelmatig gebruik

Webasto raadt aan de airconditioning regelmatig te gebruiken om goede prestaties te garanderen. Gebruik de airconditioning ten minste elke zes maanden minstens 20-30 minuten.

7.5 Reinigen

Verwijder blad en ander vuil regelmatig van de ventilatieroosters van de buiteneenheid.

- Reinig de eenheid regelmatig met een zachte, vochtige doek en mild reinigingsmiddel.
- Reinig het dak van het voertuig regelmatig. Een vuil dak warmt sneller op dan een schoon dak.




VOORZICHTIG

- ▶ Rijd nooit door automatische autowasstraten met een dakairconditioning gemonteerd.
- ▶ Spuit niet in de openingen van de eenheid met een hogedrukreiniger.
- ▶ Gebruik geen hete reinigers of stoomreinigers.
- ▶ Gebruik geen scherpe of harde objecten voor reiniging.
- ▶ Gebruik nooit benzine, diesel, oplosmiddelen of agressieve reinigingsmiddelen.

7.6 Warmtewisselaars

Laat de warmtewisselaars ten minste eens per jaar reinigen door een gespecialiseerd bedrijf.

8 Problemen oplossen

Probleem	Actie
Geen luchtverdelersdisplay bij inschakelen van eenheid.	<p>Controleer of:</p> <ul style="list-style-type: none"> ● het vermogen naar het voertuig en de stroomonderbrekers is ingeschakeld. ● De batterijen van de afstandsbediening in orde zijn. ● De afstandsbediening is uitgeschakeld. ● De spanning te laag is. ● De spanning van de stroomonderbreker in de externe voeding te laag is.
Koelen niet beschikbaar.	<p>Controleer of de koelmodus is geselecteerd en of de display van de luchtverdeler</p>  <p>toont. Gebruik de afstandsbediening om de vereiste temperatuur in te stellen onder de huidige temperatuur van de ruimte. De compressor start opnieuw met een vertraging van drie minuten.</p>
Verwarmen niet beschikbaar.	<p>Controleer of de verwarmingsmodus is geselecteerd en of de display van de luchtverdeler</p>  <p>toont. Gebruik de afstandsbediening om de vereiste temperatuur in te stellen boven de huidige temperatuur van de ruimte. In extreem koude omstandigheden duurt het langer voordat verwarmen wordt gestart. Als de eenheid in verwarmingsmodus is en de buitentemperatuur zeer laag is, gaat de eenheid automatisch naar de ontdooimodus. Het verwarmen stopt tijdelijk terwijl de eenheid de warmtewisselaar buiten opwarmt om ijs te verwijderen. Verwarmen wordt weer hervat als de warmtewisselaar buiten is ontdooid. Tijdens ontdooien toont de eenheid 'dF'.</p>
Slechte koelcapaciteit.	<p>Controleer of het filter schoon is. Verhoog de ventilatorsnelheid tot hoog en behaal de maximale capaciteit. Controleer of alle ramen en deuren en het open dak gesloten zijn. Gebruik gordijnen en schaduwdoek om de hittebelasting te verlagen. Controleer of de luchtopeningen van de buiteneenheid niet vervuild of geblokkeerd zijn.</p>
Er drupt water uit de luchtverdeler.	<p>Verwijder blokkades in de condensuitlaat of de buiteneenheid. Controleer de afdichting van het adapterframe. Parkeer het voertuig in een meer horizontale positie met een hoek van <math>< 5^\circ</math> (8,8%). Verhoog de ventilatorsnelheid tot hoog als er condens vormt aan de buitenzijde van de luchtverdeler.</p>
Foutcodes op het paneel:	
-	'0' of onduidelijk display bij voeding van generator, kan duiden op onstabiele spanning en stroom.
E0	Communicatiefout.
E1	Storing binnentemperatuursensor.
E2	Storing binnentemperatuursensor warmtewisselaar.
E3	Storing buitentemperatuursensor warmtewisselaar.
E4	<p>Geen koeleffect. Mogelijke oorzaken zijn:</p> <ul style="list-style-type: none"> ● Onvoldoende koudemiddel door scheur in de pijp. ● Compressorstoring. ● Sensorstoring.

Probleem	Actie
E5	<p>Buitemtemperatuur warmtewisselaar te hoog/temperatuurafwijking. Temperatuurafwijking: temperatuur warmtewisselaar buiten te hoog bij koelen of te laag bij verwarmen. (Bij koelen geeft E5 aan dat de buitemtemperatuur hoger is dan 64 °C. Dit komt waarschijnlijk door vermindering van de luchtstroom van de condensor, slechte werking van de condensorventilator of een sensorstoring. Als de buitemtemperatuur bij verwarmen hoger is dan 18 °C, kan de externe luchtventilator herhaaldelijk aan en uit gaan. Dit is geen fout, maar zelfbescherming van het systeem om oververhitting van de eenheid te voorkomen.)</p>
dF	<p>Geen storing: bij gebruik in de verwarmingsmodus bij lage omgevingstemperaturen, ontdooit de eenheid de warmtewisselaar buiten regelmatig. De display van de luchtverdeler toont 'dF' tijdens ontdooien en gaat verder met verwarmen als ontdooien is voltooid.</p>



AANWIJZING

Verzamel de volgende informatie voordat u contact opneemt met Webasto voor technische ondersteuning:

- ▶ Worden er foutcodes weergegeven?
- ▶ Is de display van de luchtverdeler in normaal bedrijf of niet?
- ▶ Wordt er een temperatuur van 16 tot 30 °C weergegeven?
- ▶ Kunt u het instelpunt van de temperatuur aanpassen in de koel- of verwarmingsmodus?
- ▶ Wordt '0' getoond op de display?
- ▶ Is de display onduidelijk?
- ▶ Is er luchtstroom van de uitlaten van de luchtverdeler in de ventilatormodus?
- ▶ Kunt u horen dat de generator start en stopt in de verwarmings- of koelmodus?

⇒ Uw hulp bij het verzamelen van deze informatie helpt ons serviceteam bij het oplossen van problemen.
Bedankt.



9 Verwijdering



Gooi verpakkingsmateriaal weg volgens de plaatselijke regelgeving.

U mag uw systeem als deze het einde van de levensduur heeft bereikt niet weggooien bij het huishoudelijk afval. Verwijder het systeem overeenkomstig alle lokale en nationale regelgeving. U kunt informatie over verwijdering verkrijgen bij de gemeente, het afvalverwerkingsbedrijf en/of uw plaatselijke Webasto-verkooppartner.

Elke klant is wettelijk verplicht batterijen en elektronische apparatuur weg te gooien in de juiste recyclebakken bij een afvalverzamelpunt. Het inleveren van batterijen en elektronische apparatuur is gratis.

Zie ook: hoofdstuk 7.2, "Batterijen van de afstandsbediening" op pagina 125.

10 Technische specificaties

Parameter	Waarde		Parameter	Waarde	
	CTT 20	CTT 24		CTT 20	CTT 24
Productnaam	Cool Top Trail 20/24		Koelen mogelijk bij omgevingstemperaturen	16 °C tot 50 °C	
Modelnaam fabrikant	Belaire H2000/H2400		Maximale druk	2900 kPa	
Externe voeding	220-240 V/50 Hz		Minimale druk	1840 kPa	
Nominale koelcapaciteit	2000 W	2400 W	Maximale luchtstroom	310 m ³ /u	
Nominale verwarmingscapaciteit	2000 W	2400 W	Gewicht buiteneenheid	netto 28 kg	netto 29 kg
Ingangsvermogen voor koelen	700 W	950 W	Gewicht binneneenheid	netto 2,8 kg	
Ingangsvermogen voor verwarmen	600 W	850 W	Gevuld koudemiddel	R407C/470 g	R407C/450 g
Nominale stroom voor koelen	3,0 A	4,2 A	Aardopwarmingsvermogen (GWP)	1774	
Nominale stroom voor verwarmen	2,6 A	3,8 A	CO ₂ -equivalent	834 kg	798 kg
Maximaal ingangsvermogen	800 W	1040 W	Maximale voertuighelling tijdens bediening	5° (=8,8%)	
Maximale stroom	3,5 A	4,5 A	Afmetingen	Zie Afb. 7/Afb. 8	
Gebruik bij omgevingstemperaturen	-5 °C tot +50 °C		IP-beschermingsklasse	IP24	

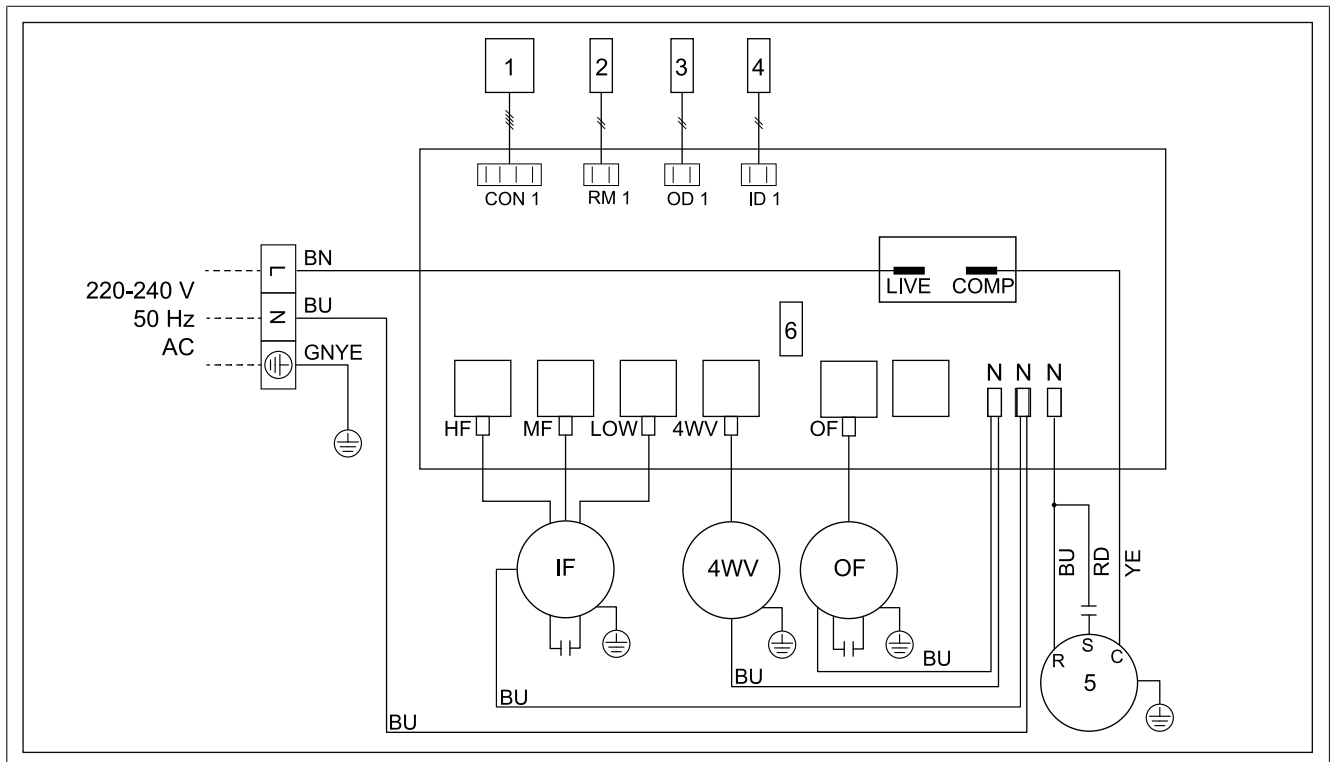


AANWIJZING

Alle vermelde parameters zijn zonder voorafgaande kennisgeving onderhevig aan wijzigingen en de opgegeven specificaties op de typeplaatjes van de eenheid hebben voorrang. Alle waarden zijn schattingen en onderhevig aan wijzigingen.

NL

11 Bedradingschema



Afb. 56 Bedradingschema

Item	Beschrijving
1	Bedieningspaneel
2	Ruimtesensor
3	Sensor warmtewisselaar buiten
4	Sensor warmtewisselaar binnen
5	Compressor
6	Zekering 5x20 mm, 250 V, T5AL of T5AH

Item	Beschrijving
4WV	4-weg omkeerklep
ID	Binnen (sensor)
IF	Ventilator binnen
OD	Buiten (sensor)
OF	Ventilator buiten
HF	Hoog
MF	Gemiddeld
Laag	Laag

Code bedrading	Kleur bedrading
BN	Bruin
BU	Blauw
GNYE	Groen-geel
RD	Rood
YE	Geel

Innehållsförteckning

1 Inledning.....	132	7.5 Rengöring.....	146
1.1 Användning av symboler och markerad text	132	7.6 Värmeväxlare.....	146
1.2 Garanti och ansvar.....	132	8 Felsökning	147
2 Säkerhet	133	9 Avfallshantering	148
2.1 Ändamålsenlig användning	133	10 Tekniska data	149
2.2 Säkerhetsinformation.....	133	11 Kopplingschema.....	150
2.3 Personalens kvalifikationer.....	133	Försäkran om överensstämmelse.....	151
3 Leveransens omfattning	134		
4 Nödvändiga kontakter för CI-BUS... 134			
5 Monteringsanvisningar	135		
5.1 Allmänt	135		
5.2 Monteringskrav	135		
5.3 Utskärningar av olika storlekar	135		
5.4 Monteringsposition	135		
5.5 Takförstärkningar	136		
5.6 Strömförsörjning.....	136		
5.7 CI-BUS-kabel(-ar)	137		
5.8 Montering av adapterram.....	137		
5.9 Montera utomhusenheten	138		
5.10 Anslutning av strömförsörjningen	138		
5.11 Montering av luftfördelarens monteringskonsol.....	138		
5.12 Anslutning av luftintagskanalen	138		
5.13 Anslutning av inom- och utomhusenhetens kablar.	139		
5.14 Anslutning av CI-BUS-kablar	139		
5.15 Montering av luftfördelaren.....	140		
5.16 Montering av fjärrkontrollens hållare	140		
5.17 Testa systemet.....	140		
6 Användarinstruktioner.....	141		
6.1 Före användning.....	141		
6.2 Värma och kyla effektivt	141		
6.3 Hantering av kondens.....	141		
6.4 Välja och använda en generator eller inverterare ...	141		
6.5 Använda fjärrkontrollen	142		
6.6 Slå PÅ/AV systemet.....	142		
6.7 Ställa in temperaturen	143		
6.8 Ställa in fläkthastigheten.....	143		
6.9 Ställa in driftläge.....	143		
6.10 Ställa systemklockan	144		
6.11 Ställa tiduret	144		
6.12 Aktivera tiduret.....	144		
6.13 Ställa in sovfunktionen.....	145		
6.14 Ändra temperaturenhet	145		
6.15 Återställa fjärrkontrollen	145		
6.16 Styra luftfördelaren utan fjärrkontrollen.....	145		
6.17 Justering av luftutsläppen	145		
7 Underhåll.....	146		
7.1 Luftfilter	146		
7.2 Fjärrkontrollens batterier.....	146		
7.3 Kontroll av bultar.....	146		
7.4 Regelbunden användning	146		

1 Inledning

Denna bruks- och monteringsanvisning är en del av produkten och innehåller all den information som behövs för att kunna utföra en korrekt och säker montering liksom användning.

- ▶ Läs dessa anvisningar innan du monterar och använder enheten.
- ▶ Dessa anvisningar ska alltid finnas till hands.
- ▶ Lämna över dessa anvisningar till efterkommande ägare eller den som ska använda enheten.

- Skador som förorsakats av onormal miljö- eller olämpliga driftförhållanden.
- Skador som förorsakats av felaktig transport.

SV

1.1 Användning av symboler och markerad text



FARA

Detta signalord står för en fara med **hög** risk som kan leda till dödsfall eller svåra skador om den inte undviks.



VARNING

Detta signalord står för en fara med **medelhög** risk som kan leda till lättare eller medelsvåra skador om den inte undviks.



VAR FÖRSIKTIG

Detta signalord står för en fara med **låg** risk som kan leda till lättare eller medelsvåra skador om den inte undviks.



HÄNVISNING

Denna symbol indikerar en speciell teknisk egenskap som (om den inte beaktas) eventuellt kan skada produkten.



Denna symbol hänvisar till separata dokument som medföljer vid behov och som kan erhållas från Webasto.

- ✓ Förutsättning för följande åtgärd

1.2 Garanti och ansvar

Den lagstadgade garantiperioden gäller. Kontakta en Webasto-återförsäljare i ditt land om produkten är defekt. Du hittar den närmaste återförsäljaren på:

<https://dealerlocator.webasto.com/en-int>

Våra experter hjälper dig gärna och de kommer att gå igenom garantiprocessen med dig mer detaljerat.

Webasto tar inget ansvar för brister eller skador som uppstått på grund av att monterings- eller bruksanvisningen inte har beaktats. Inga garantianspråk kan göras gällande för:

- Installationer utförda av obehörig personal.
- Osakkunnig användning.
- Reparationer som inte utförts av en Webasto-serviceverkstad.
- Användning av andra delar än originaldelar.
- Ombyggnad av enheten utan godkännande från Webasto.
- Skador på produkten på grund av mekanisk påverkan.
- Icke-överensstämmelse med monterings- och bruksanvisningarna.
- Vid åsidosättande av besiktning- och underhållsanvisningarna.
- Drift med andra spänningsnivåer än de som anges i tekniska data.
- Skador på fjärrkontrollen som beror på läckande batterier.
- Skador som uppstått på grund av kontakt med olämpliga ämnen, t.ex. kemiska produkter och olämpliga rengöringsmedel.

2 Säkerhet

2.1 Ändamålsenlig användning

Cool Top Trail 20-24 är konstruerad för montering i husvagnar eller husbilar och fordon med avdelningar för boende.

Cool Top Trail 20-24:

- är inte lämplig för installation i anläggningsmaskiner, jordbruksmaskiner eller liknande utrustning.
- är inte avsedd för användning i båtar eller för att exponeras för kraftiga vibrationer.
- är inte lämplig för villor eller lägenheter.
- får inte användas i fordon när de körs.

2.2 Säkerhetsinformation



FARA

Risk för elstötar

- ▶ Stäng alltid av strömmen och koppla bort elnätet vid arbeten på systemet.
- ▶ Se till att fordonets externa elförsörjning är ordentligt jordad i enlighet med lokala bestämmelser.
 - Elektrisk stöt eller brand kan bli följden om enheten inte jordas korrekt.
- ▶ Testa luftkonditioneringen med avseende på läckström efter installationen.
- ▶ Stäng omedelbart av luftkonditioneringen och isolera strömförsörjningen om du upptäcker ovanlig lukt, rök eller brand.
- ▶ Säkringen T 5A 250 V för luftkonditioneringen finns på den elektroniska styrenheten. Den får endast ersättas av en identisk säkring.



FARA

Risk för skador eller dödsfall

- ▶ Använd inte luftkonditioneringen nära lättantändliga vätskor eller i stängda utrymmen.
- ▶ Säkerställ att inga brännbara föremål förvaras eller installeras nära luftutsläppet. Håll ett avstånd på minst 50 cm.
- ▶ Stick inte in händerna i luftöppningarna och för inte in något främmande föremål i luftkonditioneringen. Använd inte luftkonditioneringen utan skydd.
- ▶ Ta inte bort eller öppna luftkonditioneringens övre skydd vid en brand. Använd lämpliga brandbekämpningsmedel istället. Använd aldrig vatten för att släcka bränder.
- ▶ Luftkonditioneringen måste monteras säkert så att den fortsätter att sitta fast på taket.
- ▶ Använd alltid skyddsklädsel under installationen, t.ex. skyddsglasögon och handskar.
- ▶ Kontrollera om fordonets tak kan bära upp montörens vikt samt luftkonditioneringen innan du klättrar upp på det.



VAR FÖRSIKTIG

- ▶ Det kan finnas ledningar i innertaket. Se till att strömmen är avstängd när du skär i taket för att undvika risk för elstötar.
- ▶ Spreja inte färg eller insektsdödande medel på luftkonditioneringens yta.
- ▶ Om enheten är utrustad med lampor får LED-lamporna endast anslutas till DC-strömledningen från luftkonditioneringen. Anslutning till en annan strömförsörjning kan skada LED-lamporna.
- ▶ Elektriska enheter är inte leksaker. Håll elektriska apparater utom räckhåll för barn eller personer med mentalt funktionshinder. Personer vars fysiska, sensoriska eller mentala förmågor är inskränkta, eller vars avsaknad av erfarenhet och kunskap hindrar dem från att använda enheten på ett säkert sätt bör inte använda den utan tillsyn eller anvisning av en ansvarig person.
- ▶ Kör aldrig igenom automatiska biltvättar med en takluftkonditionering monterad.
- ▶ Om det uppstår fel i luftkonditioneringens köldmediumsystem måste enheten kontrolleras av ett specialföretag och repareras på ett riktigt sätt. Köldmedium får aldrig släppas ut i luften.



HÄNVISNING

- ▶ Håll luftintaget och luftutsläppet till luftkonditioneringens inomhus- och utomhusenhet rena.
- ▶ Isolera strömförsörjningen om du inte använder luftkonditioneringen under en lång tid.
- ▶ Montera luftkonditioneringen i enlighet med anvisningarna i den här manualen. Felaktiga monteringsmetoder eller ändring av produkten kan leda till skador på produkten eller till att användaren skadas.
- ▶ Rengör luftkonditioneringens filter regelbundet.
- ▶ Ett smutsigt filter minskar luftflödet och leder till dåliga värme- och kylprestanda.
- ▶ Fråga fordonstillverkaren om en det krävs en teknisk inspektion efter monteringen av luftkonditioneringen och om den höjd för fordonet som har angivits i fordonsdokumenterna måste uppdateras.
- ▶ Stäng av luftkonditioneringen via elnätet endast vid fara.
- ▶ Kontakta försäljningsställets servicetekniker vid fel på enheten.

2.3 Personalens kvalifikationer

Installations- och underhållspersonal måste:

- Förfoga över motsvarande kvalifikationer för arbeten på tekniska/elektriska system.
- Ha behörighet att arbeta på kylande luftkonditioneringssystem.
- Ha aktuella licenser för det arbete som beskrivs i detta dokument.

3 Leveransens omfattning

Systemet levereras i 2 förpackningar.

Kontrollera att leveransen är fullständig och att den inte uppvisar några skador.

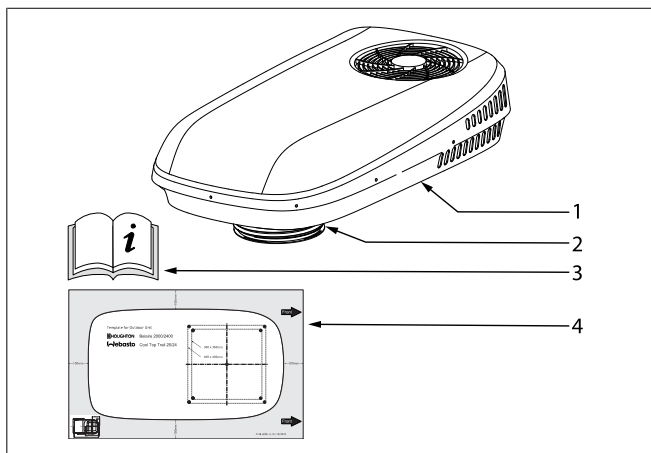


Bild 1 Utomhusenhet

Pos.	Beskrivning	Antal
1	Utomhusenhet	1
2	Luftintagskanal	1
3	Bruks- och monteringsanvisning	1
4	Bormall för utomhusenheten	1

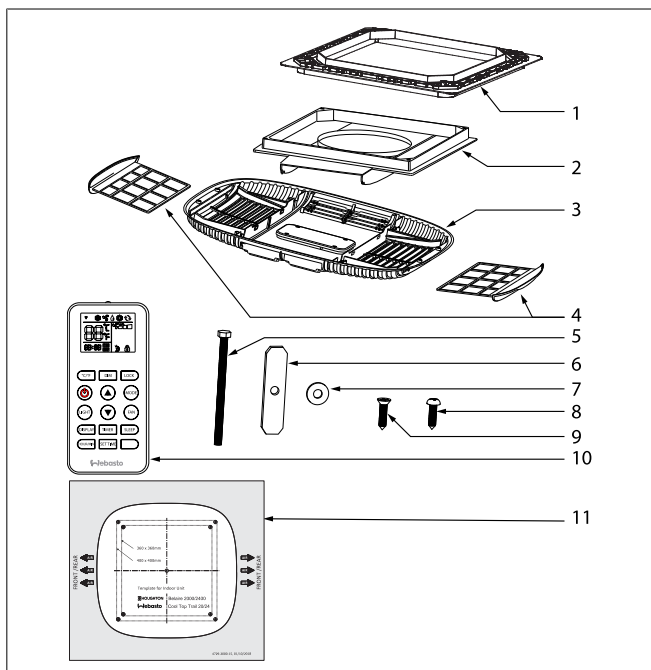


Bild 2 Inomhusenhet

Pos.	Beskrivning	Antal
1	Adapterram	1
2	Monteringskonsol luftfördelare	1
3	Luftfördelare	1
4	Returluftfilter	2
5	M8x120 mm sexkantsbult	4
6	Metallklämstång	4
7	Stor M8 bricka	4
8	Skruv med koniskt huvud till luftfördelaren ST4.2*19	4

Pos.	Beskrivning	Antal
9	Självsikrande skruvar med försänkt huvud ST4.2*16-C	6
10	Fjärrkontroll med hållare och batterier (2 x AAA)	1
11	Bormall för inomhusenheten	1

4 Nödvändiga kontakter för CI-BUS

HÄNVISNING

Detta kapitel är endast tillämpligt om inomhusenheten till Cool Top Trail 20-24 är utrustad med en CI-BUS-enhet och denna CI-BUS-enhet måste anslutas till ett externt CI-BUS-system.

CI-BUS-enhet måste anslutas till CI-BUS-systemet i husvagnen, husbilen eller fordon med avdelning för boende.

För detta ändamål krävs en CI-BUS-kabel mellan CI-BUS-systemet och CI-BUS-enhet i Cool Top Trail 20-24. Denna kabel ingår inte i leveransen.

Om det finns två Cool Top Trail-luftkonditioneringar måste en CI-BUS-anlutningskabel installeras mellan CI-BUS-enheter i luftkonditioneringarna. Denna kabel ingår inte i leveransen.

CI-BUS-kablarna måste installeras med Molex-kontakter. Dessa kontakter är sammansatta av listade delar och visas nedan.

Dessa delar ingår inte i leveransen:

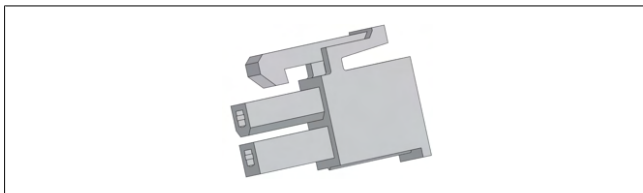


Bild 3 Kåpa

Molex Mini-Fit Jr. behållarhus, Dual Row, 2 kretsar, UL 94V-2, naturlig
Molex del nummer:
39012020 (teknik / gammalt delnummer: 5557-02R)



Bild 4 Krimpterminal

Molex Mini-Fit krimpterminal hona, tenn (Sn) över koppar (Cu) pläterad mässing

Molex del nummer (välj en typ):
39000038 / (teknik / gammalt delnummer: 5556T)
39000046 / (teknik / gammalt delnummer: 5556T2)
39000059 / gammalt delnummer: 5556PBT

5 Monteringsanvisningar

5.1 Allmänt

- Läs igenom och förstå den här handboken grundligt före monteringen.
- Lägg inte till några andra delar och ändra inte produkten under monteringen.
- Konstultera Webasto eller den lokala distributören vid ovanliga tillämpningar eller monteringsförhållanden som inte specifikt täcks i den här handboken.



VARNING

Om ett varmaravgasrör monteras genom taket nära luftkonditioneringensheten måste avgasröret dras 10 cm över luftkonditioneringensheten.

5.2 Monteringskrav

- Fordonets tak måste kunna bära upp luftkonditioneringens vikt.
- Takets minimitjocklek är 25 mm och takets maximala tjocklek är 70 mm.
- Taket ska vara plant och jämnt.

5.3 Utskärningar av olika storlekar

Installation är möjlig för utskärningar i olika storlek.

För montering i en 400x400 mm taklucka:

1. Demontera takluckan och använd resten av utskärningen.
2. Ta bort tätningsmedelsrester och ojämnheter.
3. Fyll skruvhålen med ett ickehärdande karosstättningsmedel av butyl.
4. Adapterramen för utskärningar på 400x400 mm är en del av leveransens omfattning.

För montering i en 360x360 mm taklucka:

1. Demontera takluckan och använd resten av utskärningen. Antingen har du köpt en enhet med en 360x360 mm adapterram eller så måste du köpa en adapterram (tillval) för sådana utskärningar. Den kan användas istället för adapterramen på 400x400 mm.
2. Ta bort tätningsmedelsrester och ojämnheter.
3. Fyll i skruvhålen med ett ickehärdande karosstättningsmedel av butyl.

Göra en ny utskärning:

Gör en utskärning i taket som motsvarar storleken på adapterramen.

Rådgör med fordonets tillverkare om det mest lämpliga sättet och den mest lämpliga positionen för att skapa en ny utskärning.

5.4 Monteringsposition

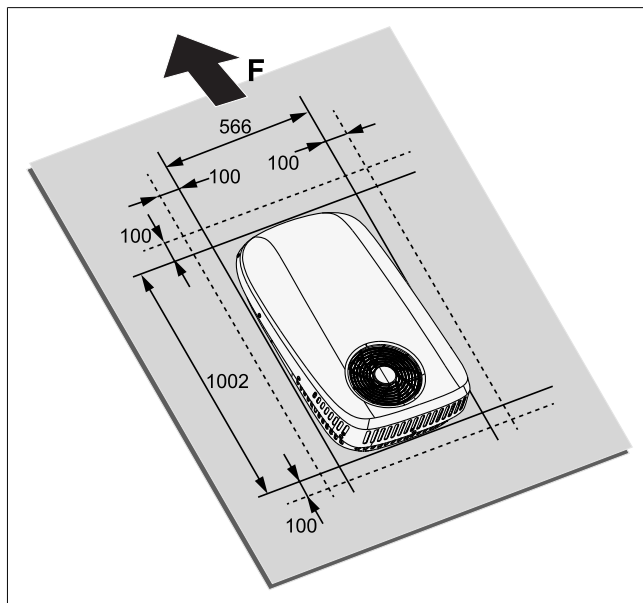


Bild 5 Monteringsriktning för utomhusenheten

Överväg monteringspositionen innan du inleder monteringsarbetet:

- Se till att den avsedda monteringsplatsen inte stör befintliga konstruktioner och kablar.
- Luftkonditioneringen måste monteras så nära takets mitt som möjligt.
- Utomhusenhetens monteringsposition måste vara riktad enligt fordonets körriktning (F).
- Se till att det finns tillräckligt med utrymme på fordonets insida för att montera luftfördelaren.
- Beakta luftfördelarens monteringsposition och se till att luftfördelarens utsläpp är minst 400 mm bort från skåp, väggar och skiljeväggar som kan rikta om den konditionerade luften tillbaka till returluftintaget. Om ett utsläpp befinner sig närmre än 400 mm från ett hinder bör det stängas tätt. Om detta inte beaktas blir följden att enheten hela tiden kopplas till och från.
- Utskärningen måste undvika fogar i takbeklädnaden där det är möjligt.
- Välj en monteringsposition mellan två längsgående stöd eller sektioner, såvida sådana finns.
- Det måste vara ett fritt utrymme på minst 100 mm runt taktoppsenheten för att säkerställa ett fullgott luftflöde och åtkomst för underhåll.



VARNING

Om en lucka med säkerhetsventilationsfunktion byts ut mot luftkonditioneringen är det nödvändigt att se till att säkerhetsventilationen installeras på en annan plats.



HÄNVISNING

Luftkonditioneringens lutningsvinkel får inte vara större än 5° (=8,8 %) och luftkonditioneringens baksida får inte vara högre än fronten.

Illustrationerna nedan (Bild 6, Bild 7 och Bild 8) visar det monteringsutrymme som krävs för utomhusenheten och luftfördelaren på insidan för de två olika utskärningsversionerna. Centrera luftfördelaren med hjälp av utskärningen.



HÄNVISNING

Om inget annat anges är alla mått i mm.

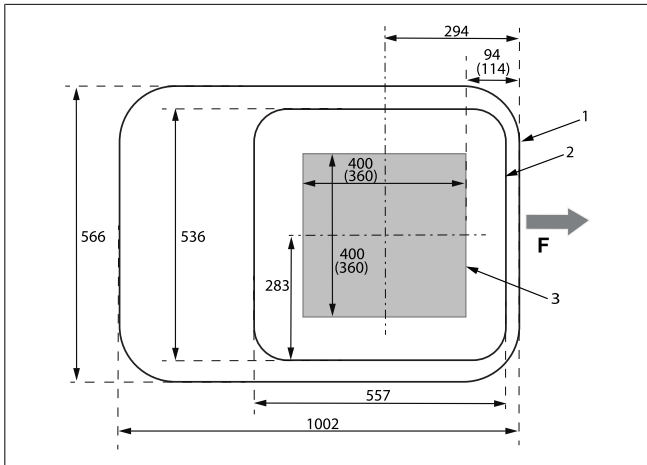


Bild 6 Monteringsmått (vy uppifrån/nerifrån)

1	Utomhusenhetens placering
2	Luftfördelarens placering
3	Kvadratisk utskärning
F	Färdriktning

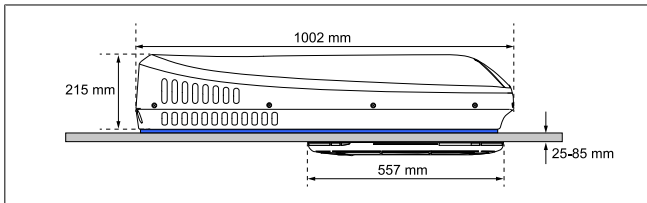


Bild 7 Monteringsmått (vy från sidan)

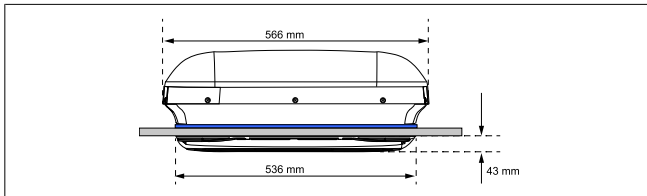


Bild 8 Monteringsmått (vy framifrån)

5.5 Takförstärkningar

Utskärningen måste förstärkas med en träram bestående av träribbor som är minst 20 mm breda. Isoleringmaterial kanske måste tas bort dessförinnan.

Denna förstärkningsram säkerställer att taket inte krossas på grund av monteringsbultarna och att luftkonditionerad luft inte kommer in i innetaksutrymmet.

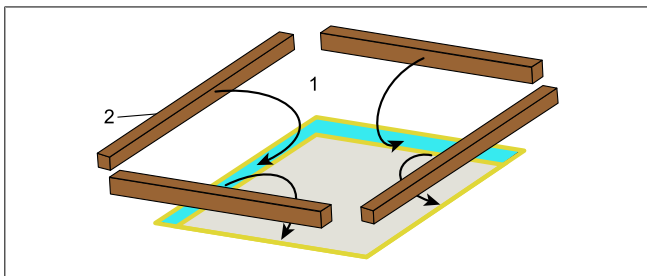


Bild 9 Takförstärkning

1	Tak
2	Träribbor

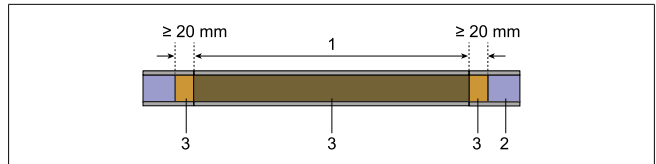


Bild 10 Utskäring med träförstärkning

1	Utskäring
2	Isolering i taket
3	Träribbor

5.6 Strömförsörjning

! VARNING

Risk för elstötar

Du måste se till att det inte finns någon spänning på eldrivna komponenter innan några arbeten utförs på dem. Försäkra dig om att strömtillförseln eller strömmen som tillförs av inverterare är isolerad.

☞ HÄNVISNING

Endast kvalificerade elektriker får utföra elanslutningen på 230 V (i Tyskland exempelvis i enlighet med VDE 0100, del 721 eller IEC 60364-7-721).

Det är montörens ansvar att se till att lokala bestämmelser för ledningsdragning följs vid anslutningen till elnätetsförsörjningen.

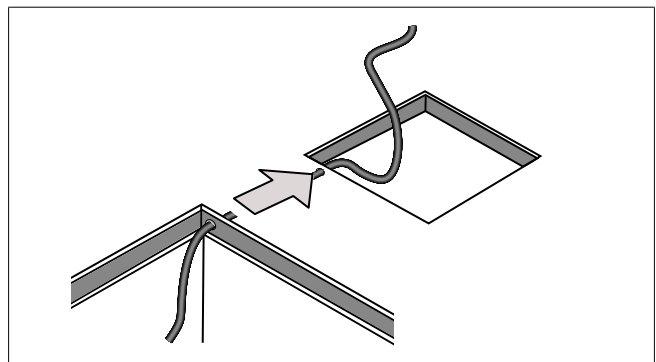


Bild 11 Strömförsörjningskabel

1. Se till att strömförsörjningen på 230 V ansluts till en jordfelsbrytare.
2. Installera en strömbrytare med ett kontaktavstånd på minst 3,5 mm och en allpolsisolering för att skydda strömförsörjningskabeln till luftkonditioneringsenheten och för att möjliggöra underhålls- och reparationsarbete på enheten.
3. Ordna med en strömförsörjningskabel på 230 V~ till utskärningen.
4. Dra om möjligt strömkabeln genom takisoleringen enligt bilden ovan.
5. Borra ett hål i träribban som strömförsörjningskabeln ska ledas genom.
6. Dra strömförsörjningskabeln genom hålet i träribban före monteringen av ribban.
7. Fäst och lägg kablarna så att det inte går att trampa på dem eller så att de inte kan skadas.
8. Använd kabelkanaler för att dra kablar genom väggar med vassa kanter.
9. Se till att kabelns minimitvärnsnitt är motsvarar enhetens eldragning.

- Lägg inte 230 V-kablarna och 12/24 V-kablarna tillsammans i samma kabelkanal.
- Lägg inte lösa eller böjda kablar direkt bredvid elektriskt ledande material (metall).

5.7 CI-BUS-kabel(-ar)



HÄNVISNING

Detta kapitel är endast tillämpligt om inomhusenheten till Cool Top Trail 20-24 är utrustad med en CI-BUS-enhet och denna CI-BUS-enhet måste anslutas till ett externt CI-BUS-system.

För montering av CI-BUS-kablarna, följ anvisningarna i kapitel 5.7.1, "Montering CI-BUS-kabel" på sidan 137.

Använd rätt CI-BUS-kabel för att ansluta CI-BUS-enhet till CI-BUS-systemet.

Om två Cool Top Trail-luftkonditioneringsenhet är installerade ska du använda CI-BUS-anslutningskabeln för att ansluta CI-BUS-enheter.



VARNING

Risk för elstötar

Du måste se till att det inte finns någon spänning på eldrivna komponenter innan några arbeten utförs på dem. Försäkra dig om att strömtilförseln eller strömmen som tillförs av inverterare är isolerad.

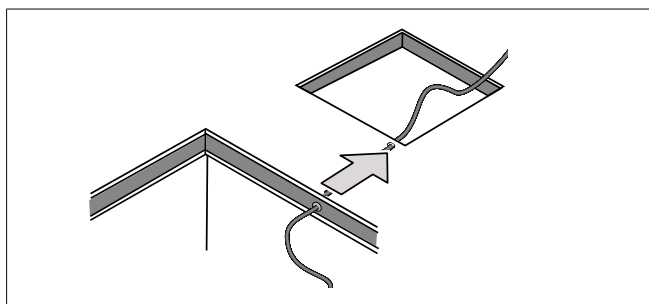


Bild 12 CI-BUS-kabel



HÄNVISNING

Felfunktion på CI-BUS

Lägg inte nätkablarna, CI-BUS-kabeln(-arna) och 12/24 V-kablarna tillsammans i samma kabelkanal.

- Dra om möjligt CI-BUS-kabeln genom takisoleringen enligt bilden ovan.
- Borra ett hål i träribban som CI-BUS-kabeln ska ledas genom.
- Dra CI-BUS-kabeln genom hålet i träribban innan du monterar ribban.
- Fäst och lägg kablarna så att det inte går att trampa på dem eller så att de inte kan skadas.
- Använd kabelkanaler för att dra kablar genom väggar med vassa kanter.
- Lägg inte lösa eller böjda kablar direkt bredvid elektriskt ledande material (metall).
- Dra CI-BUS-kabeln in i utrymmet inomhus i husbilen, fordonet eller husbilen.
- Dra CI-BUS-kabeln till Cool Top Trail-luftkonditioneringsenheten.
- Om det finns två Cool Top Trail-luftkonditioneringsenhet ska en CI-BUS-anslutningskabel dras mellan de två CI-BUS-enheter.

5.7.1 Montering CI-BUS-kabel

CI-BUS-kablarna måste sättas ihop med rätt krimpterminaler och en passande kåpa. För detaljer, se kapitel 4, "Nödvändiga kontakter för CI-BUS" på sidan 134. Följ alltid tillverkarens riktlinjer.

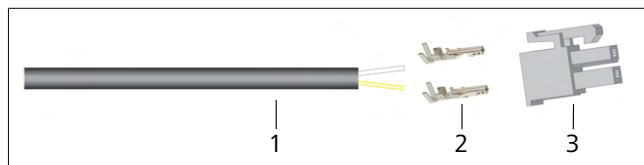


Bild 13 Montering CI-BUS-kabel

1	Kabel
2	Krimpterminaler
3	Kåpa

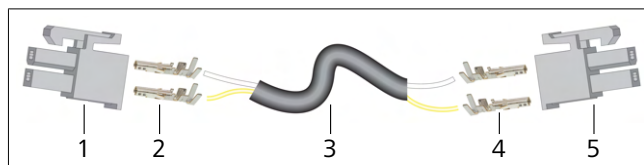


Bild 14 CI-BUS-anslutningskabel mellan två CI-BUS-enheter

1	Kåpa CI-BUS (CI-BUS-enhet 1)
2	Krimpterminaler CI-BUS (CI-BUS-enhet 1)
3	Kabel
4	Krimpterminaler CI-BUS (CI-BUS-enhet 2)
5	Kåpa CI-BUS (CI-BUS-enhet 2)

5.8 Montering av adapterram

- Se till att taket är rent, torrt och är fritt från olja eller fett.
- Sätt in adapterramen i utskärningen för att säkerställa att strömförsörjningskabeln och CI-BUS-kabeln (såvida en sådan finns) inte är i vägen för ramen. Om kablarna utgör ett hinder ska du skära ut eller borra öppningar i ramens undersida så att kablarna kan ledas igenom den.
- Bekräfta ramens korrekta inriktning med dekalen "This side up" (Denna sida uppåt).

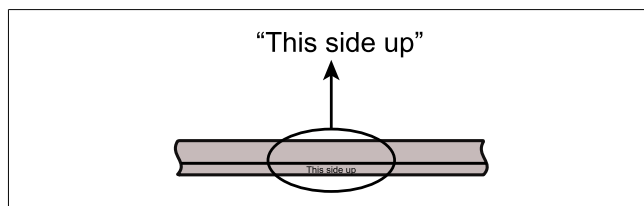


Bild 15 Adapterramens inriktning

- Vänd delen och applicera silikontätningssmedel på baksidan av "This side up" (Denna sida uppåt) över det område som visas.

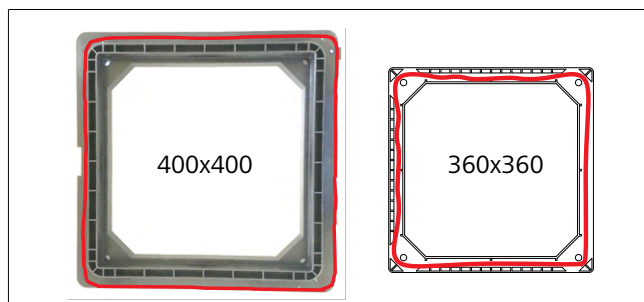


Bild 16 Placering av tätningssmedlet

- Vrid på delen igen och se till att "This side up" (Denna sida uppåt) är uppåt. Tryck ordentligt neråt över monteringshålet och ta bort eventuellt tätningsmedel som har klämts ut.

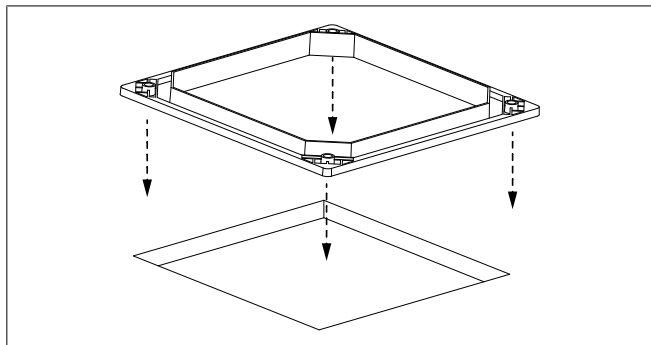


Bild 17 Bild på en effektiv tätning

5.9 Montera utomhusenheten

Placera utomhusenheten över den monterade adapterramen och justera positionen för att säkerställa att de fyra bulthålen i hörnen är korrekt inriktade.



HÄNVISNING

Utomhusenheten är tung. Se alltid till att ha en andra person som hjälper till att bära enheten.

Lyft inte upp utomhusenheten i det övre vita hörnet. Lyft den i den nedre basen.

Använd M8-bultarna för att säkerställa att hålen i utomhusenheten är inriktade mot hålen på adaptern. Om inte ska du justera in utomhusenheten för att rikta in hålen.

Applicera inte extra tätningsmedel mellan utomhusenheten och adapterramen.

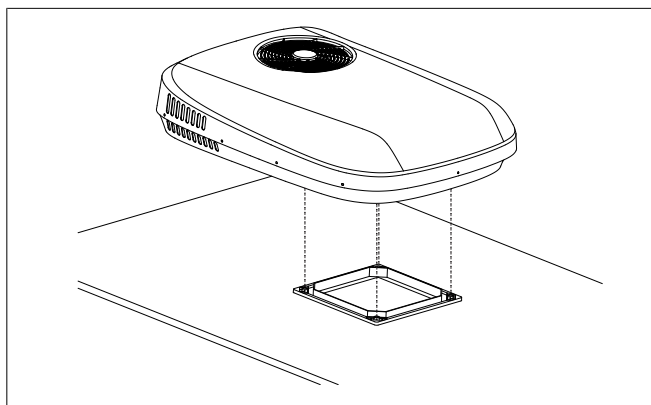


Bild 18 Positionering av utomhusenheten

5.10 Anslutning av strömförsörjningen

- Titta uppåt från fordonets insida och lokalisera kopplingsplintarna (1).
- Släpp upp de orangea spakarna.
- Skala av kablarna 10 mm (för WAGO 222-412).
- Sätt in ledningarna från strömförsörjningskabeln i kopplingsplintarna med 2 poler. Matcha respektive fasledare, neutralledare och jordledare.
- Stäng de orangea spakarna så att strömkabeln är säkert och ordentligt ansluten.



HÄNVISNING

Anslutningarna måste göras ordentligt för att undvika risk för kortslutning eller brand.

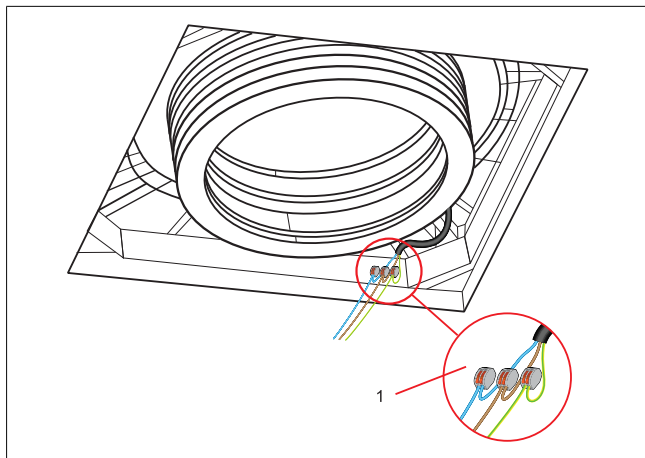


Bild 19 Kopplingsplintarnas placering

5.11 Montering av luftfördelarens monteringskonsol

- Förbered M8-bultarna (4), brickorna (3) och fäst klämstängerna av metall (2) enligt bilden.
- Lyft upp luftfördelarens monteringskonsol (1) mot luftkonditioneringen.
- Sätt in M8-bultarna med brickorna och klämstängerna av metall i de 4 hörnhålen på luftfördelarens monteringskonsol.
- Skruva in skruvarna i respektive gängor för hand för att säkerställa att de sitter fast ordentligt.
- Förvissa dig om att alla bultar är korrekt fastskruvade. Vrid minst 2 varv för att undvika snedställning.
- Se till att klämstängerna av metall är inriktade mot motsvarande fördjupning i luftfördelarens monteringskonsol när du drar åt bultarna.
- Dra slutligen åt bultarna jämnt med 7 Nm åtdragningsmoment.

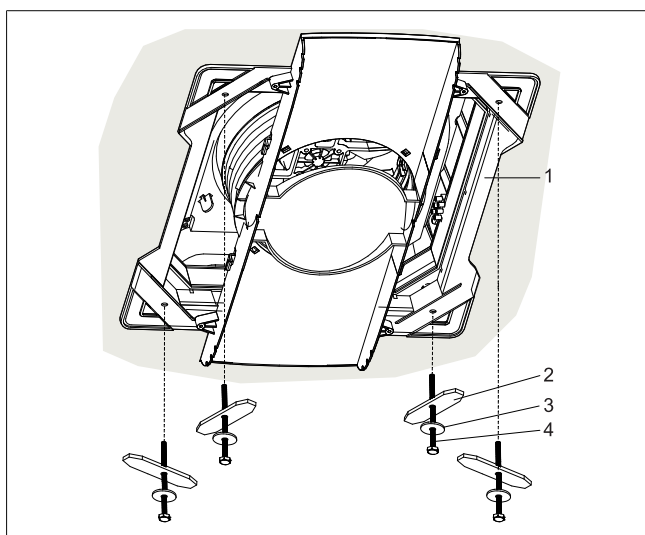


Bild 20 Montering av bultarna

5.12 Anslutning av luftintagskanalen

- Ta tag i luftintagskanalens (2) fria ände och dra ner den tills den vidrör luftfördelarens monteringskonsol (1).
- Fortsätt att dra kanalens kant neråt tills den hakas fast i de fyra spärrhakarna (3) på luftfördelarens monteringskonsol.

3. Du vet att kanalen är korrekt ansluten när du hör spårhakarnas fyra distinkta klickljud och kanalens kant (5) är parallell med konsolens yta (4).

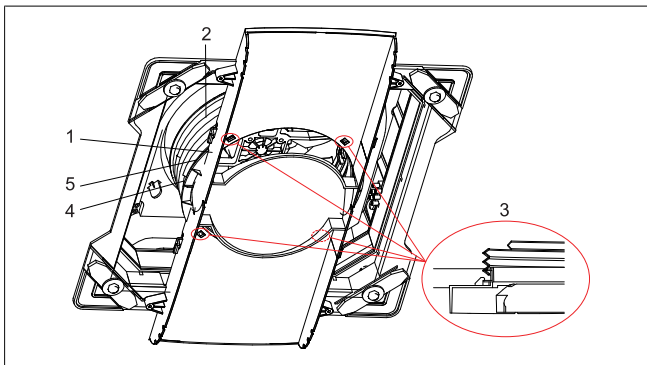


Bild 21 Anslutning av luftintagskanalen

5.13 Anslutning av inom- och utomhusenhetens kablar

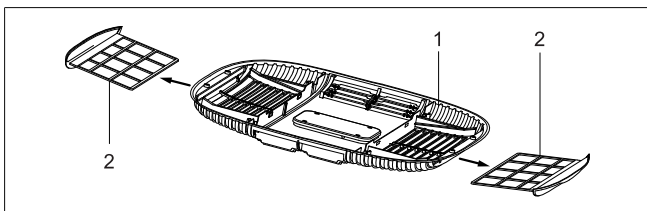


Bild 22 Demontering av luftfiltret

1. Demontera luftfiltret från luftfördelaren genom att trycka båda flikarna (1) inåt (2) och sedan neråt (3).

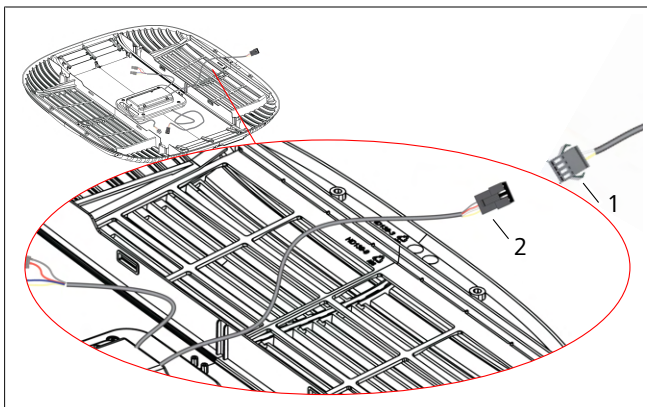


Bild 23 Anslutning av utomhusenhetens kontakt till CI-BUS-enhet

2. Sätt in kontakten från utomhusenheten (1) i motsvarande kontakt (2) på CI-BUS-enhet.

5.14 Anslutning av CI-BUS-kablar

HÄNVISNING

Detta kapitel är endast tillämpligt om inomhusenheten till Cool Top Trail 20-24 är utrustad med en CI-BUS-enhet och denna CI-BUS-enhet måste anslutas till ett externt CI-BUS-system.

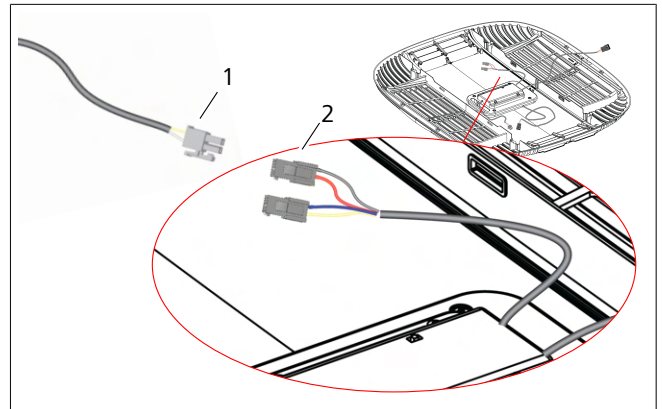


Bild 24 Anslutning av CI-BUS-systemet till CI-BUS-enhet

1. Sätt in CI-BUS-kontakten (1) i motsvarande CI-BUS-kontakt (2) på CI-BUS-enhet.

HÄNVISNING

Inställningar för omkopplare

Om du har två Cool Top Trail-luftkonditioneringar, båda med en CI-BUS-enhet installerad, måste du ställa in ID-omkopplaren på olika sätt på varje CI-BUS-enhet.

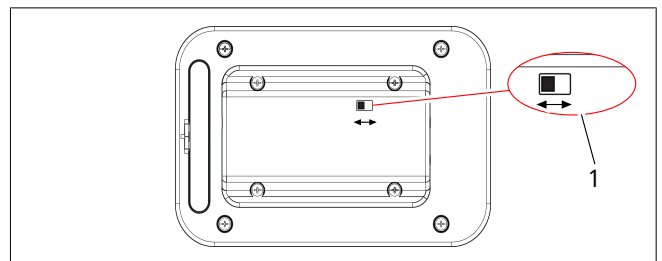


Bild 25 Vy uppifrån av CI-BUS-enhet

2. Ställ in ID-omkopplaren (1) i vänster position för en CI-BUS-enhet och i höger position för den andra CI-BUS-enhet.

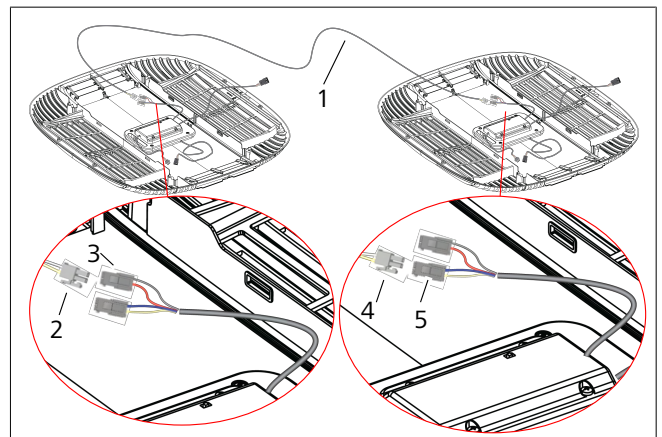


Bild 26 Anslutning av två CI-BUS-enheter

3. Om två Cool Top Trail-luftkonditioneringar är installerade ska du använda anslutningskabeln (1).
4. Sätt in kontakten (2) på kabeln i CI-BUS-kontakten (3) på den första CI-BUS-enhet.
5. Sätt in den andra kontakten (4) på kabeln i den extra CI-BUS-kontakten (5) på den andra CI-BUS-enhet.

5.15 Montering av luftfördelaren

1. Fäst luftfördelaren (1) på luftfördelarens monteringskonsol (3) genom att koppla ihop de två delarna.
 - Du kommer att höra fyra klick från spärrhakarna (2) när luftfördelaren (1) och monteringskonsolen (3) kopplas ihop.

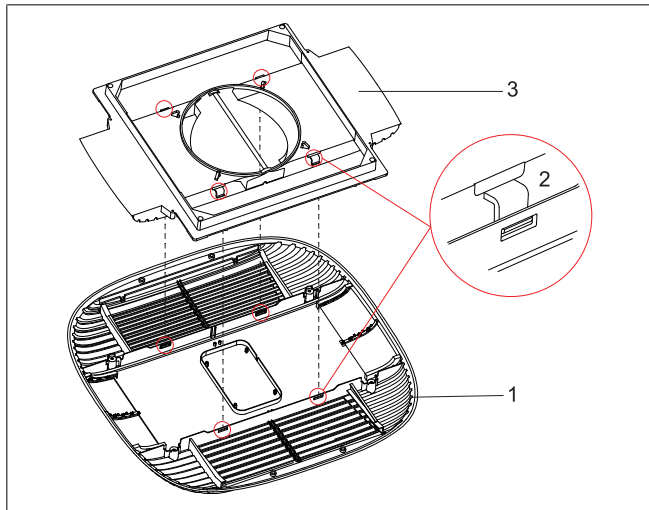


Bild 27 Fastsättning av luftfördelarenheten på monteringskonsolen

2. Fäst luftfördelaren (1) på luftfördelarens monteringskonsol med fyra ST4,2*19 skruvar med koniskt huvud (2).

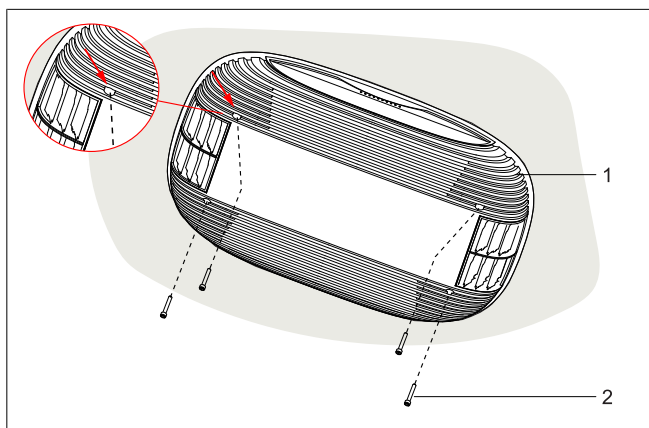


Bild 28 Fästa luftfördelarenheten på monteringskonsolen

- Följande steg är valfria. Avsikten med detta arbetssteg är att stänga till ett eventuellt mellanrum mellan luftfördelaren och fordonets innertak med hjälp av 4 skruvar med försänkt huvud.
 - Gör så här:
3. Fäst luftfördelaren (1) på innertaket med hjälp av 4 skruvar med försänkt huvud (2).

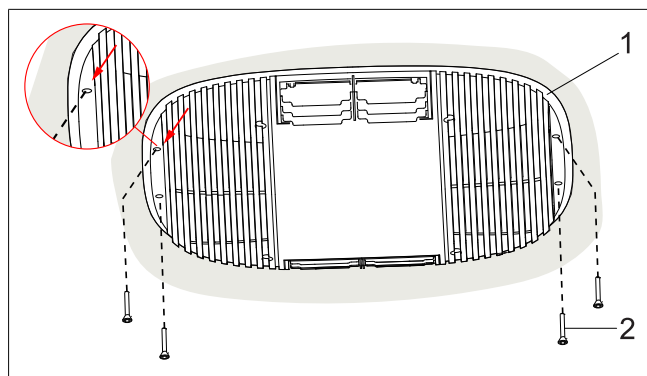


Bild 29 Fästa luftfördelaren på taket

4. Montera luftfiltren (2) enligt bilden nedan:

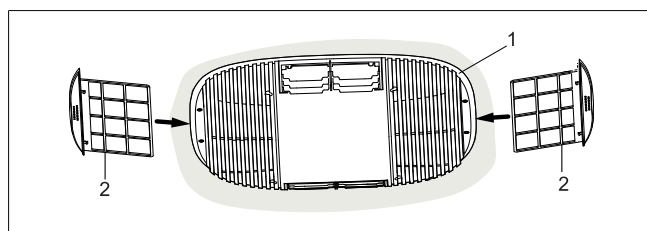


Bild 30 Montering av luftfiltren

5.16 Montering av fjärrkontrollens hållare

1. Fastlägg en lämplig plats för fjärrkontrollens hållare (1).
2. Använd 2 skruvar med försänkt huvud (2) som håller fast hållaren.

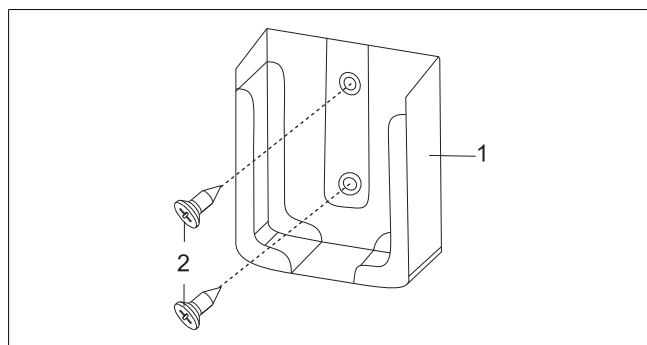


Bild 31 Fjärrkontrollens hållare

5.17 Testa systemet

- Testa sedan alla luftkonditioneringens funktioner enligt beskrivningen i kapitel 6, "Användarinstruktioner" på sidan 141.
- Se till att kondensutloppen är fria efter att du har monterat utomhusenheten.
- Montera fordonets nya höjd och vikt i fordonsdokumenterna vid behov.
- Lämna över detta dokument till fordonets nya ägare.

6 Användarinstruktioner

6.1 Före användning



HÄNVISNING

Se till att försörjningsspänningen och frekvensen motsvarar luftkonditioneringens värden innan du slår på den.



HÄNVISNING

Säkerställ att den strömstyrka som levereras av den externa strömförsörjningen är tillräcklig.



HÄNVISNING

För att förhindra att förlängningskabeln för strömförsörjning till fordonet överhettas och förlorar spänning ska du alltid linda av kabeln från kabeltrumman helt.



HÄNVISNING

Förlängningskabeln måste ha ett tvärsnitt på minst 3 x 2,5 mm².



HÄNVISNING

Du måste förvissa dig om att luftutsläpps- och luftintagsgallren inte är övertäckta av tyg, papper eller andra föremål.



HÄNVISNING

Ta av kåpan på baksidan av fjärrkontrollen och sätt i två (2) AAA LR3 läckagefria batterier i fjärrkontrollen. Sätt sedan på kåpan på baksidan igen.



HÄNVISNING

Rikta fjärrkontrollen mot luftfördelaren för att få bästa möjliga signalöverföring när du använder den. Luftfördelaren avger ett pip ljud när den får en signal.



HÄNVISNING

Symbolerna som visas på fjärrkontrollen beror på vilka inställningar du valt.



HÄNVISNING

Efter att du valt läget **KYLA** eller **VÄRME** kan kompressorn fördröja starten med upp till 3 minuter. Denna funktion skyddar kompressorn.



HÄNVISNING

För att ställa klockan, se kapitel 6.10, "Ställa systemklockan" på sidan 144.

6.2 Värma och kyla effektivt

Följande allmänna åtgärder är väldigt användbara för att reducera värmebelastningen i ett fordon och för att förbättra luftkonditioneringens prestanda:

- Parkera fordonet om möjligt på en skuggig plats.
- Placera fordonet med solskyddet på solsidan. Detta minskar exponeringen för direkt solljus.
- Stäng alla dörrar, takfönster och fönster, dra för gardiner och öppna solskyddet eller soltaket.
- Stäng av onödiga elektriska apparater i fordonet. Detta reducerar värmebelastningen ytterligare.
- Laga mat utanför fordonet när det är möjligt.
- Slå på luftkonditioneringen i förväg på morgonen vid exceptionellt höga temperaturer.
- Om fordonets interiör redan har värmts upp ska du ventilera fordonet genom att öppna dörrarna och fönstren **innan** du startar luftkonditioneringen.
- Rengör fordonets tak regelbundet eftersom smutsiga tak värms upp mer.

Eftersom många faktorer påverkar den totala värmebelastningen i fordonet kan många ytterligare faktorer dessutom påverka luftkonditioneringens arbetseffektivitet. Vi rekommenderar att du rådfrågar din fordonstillverkare för att helt förstå vad som inverkar på värmebelastningen i ditt fordon.

6.3 Hantering av kondens

När varm och fuktig luft inne i fordonet träffar på en kall yta kommer kondensvatten att bildas. Det är bekant som "svettning". Hur hanteras detta:

- Stäng och täta alla dörrar, takluckor och fönster. Detta minskar mängden varm, fuktig luft i fordonet.
- Använd fläkten inne i fordonet på **Högt** varvtal, undvik **Lågt** varvtal och **Auto**-läget.

Vid användning av luftkonditioneringen produceras kondensvatten som töms ut på taket. Detta är normalt. Mängden kondensvatten beror på luftfuktigheten. Hög fuktighet inne i fordonet leder till att det bildas mer kondensvatten.



HÄNVISNING

Observera att förluster eller skador som orsakas av kondensvatten inte omfattas av garantin.

6.4 Välja och använda en generator eller inverterare

CTT 20-24 kräver en elnätsströmkälla (AC) av hög kvalitet för korrekt funktion. Om du bestämmer dig för strömförsörjning med en generator eller en inverterare måste du rådfråga generatorns resp. inverterarens leverantör för att bekräfta att generatorn resp. inverteraren är lämplig och har rätt storlek för ditt system.



HÄNVISNING

Förlust eller skada som orsakas av användning av en generator eller en inverterare omfattas inte av garantin.

6.5 Använda fjärrkontrollen

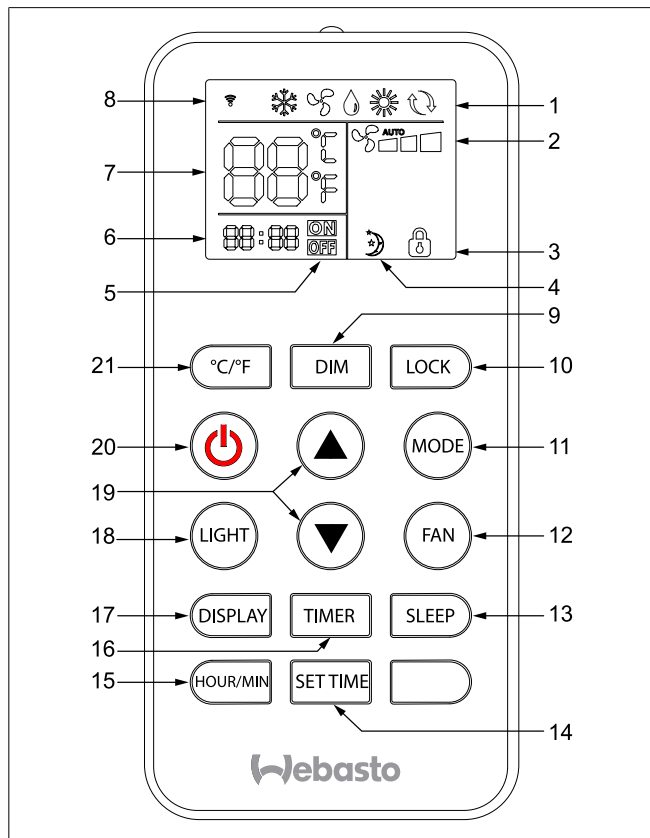


Bild 32 Översikt fjärrkontroll

Symboler på displayen		Information
1	Visning av läge	COOL/FAN/DRY/HEAT/AUTO (kyla/fläkt/torka/värme/auto)
2	Visning av fläkthastighet	Low/Medium/High/Auto Låg/Medel/Hög/Auto
3	Visning låsfunktion	-
4	Visning sovfunktion	-
5	Statusindikator tidur PÅ/AV	-
6	Visning av klocka/timer	Realtidsklocka, tidurets tid under inställning.
7	Temperaturvisning	Visar den inställda börtemperturen eller temperaturen i fordonet. Enheter i °C eller °F.
8	Dataöverföring	Symboler visas kort när fjärrkontrollen överför data till luftkonditioneringsenheten.

Knappar	Funktion
9 DIM*	Inställning av LED-lampornas ljusstyrka: 25 %, 50 %, 75 %, 100 %
10 LOCK	Deaktiverar beröringsstyrningen på luftfördelaren när enheten är PÅ. Tryck på knappen igen för att låsa upp den.
11 MODE	Väljer driftläget COOL/DRY/FAN/HEAT/AUTO (kyla/torka/fläkt/värme/auto).
12 FAN	Väljer Low/Medium/High (Låg/Medelhög/Hög) eller AUTO för fläkthastigheten. AUTO-fläkt är endast möjlig i läget KYLA/VÄRME. Med AUTO-fläkthastighet justeras fläkten automatiskt mellan Låg, Medelhög och Hög.

Knappar	Funktion
13 SLEEP	Väljer viloläget. Endast tillgängligt i läget KYLA eller VÄRME.
14 SET TIME	Visar inställningsläget för KLOCKA/TIDUR.
15 HOUR/MIN	Växlar mellan inställning av timme och minuter.
16 TIMER (TIDUR)	Aktiverar olika tidurställningar.
17 DISPLAY	Slår På/Av luftfördelarens display.
18 LIGHT*	Slår På/Av luftfördelarens LED-lampor.
19 Up/Down (Upp/Ned)	Justerar den inställda börtemperaturen, klockan eller tiduret.
20 Till-/frånkoppling	Kopplar På/Av systemet.
21 °C/°F	Väljer temperaturenhet, Celcius eller Fahrenheit, på termometerdisplayen.

* Endast på enheter med LED-lampor.

6.6 Slå PÅ/AV systemet

Tryck på knappen på fjärrkontrollen för att starta enheten.

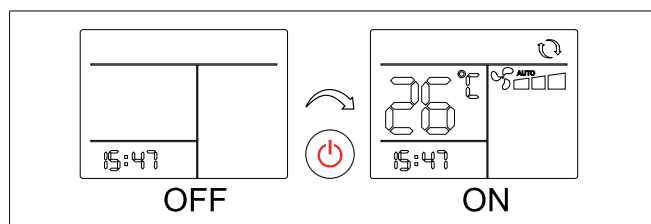


Bild 33 Slå på enheten

- Enheten slås på och luftfördelarens display visar den inställda temperaturen och driftläget.
- Fjärrkontrollens display visar den inställda temperaturen, driftläget och fläkthastigheten.
- De senast använda inställningarna används.
- Inomhusfläkten kan starta genast om enheten befinner sig i fläkt- eller kylningsläge. Om den befinner sig i uppvärmningsläget sker det en fördröjning medan spolen på insidan värms upp innan fläkten på insidan går igång, vilket förhindrar ett kallt luftdrag.
- Det kan ta upp till 3 minuter för kompressorn att starta driften. Detta är en funktion för att skydda kompressorn.

Tryck igen på knappen för att stänga av enheten.

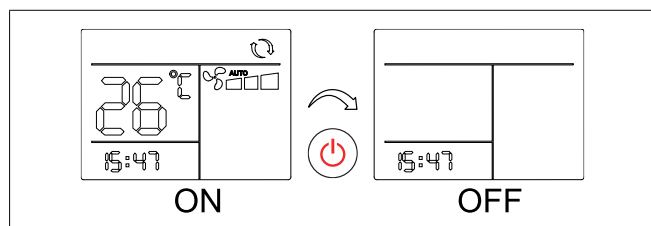


Bild 34 Stänga av enheten

- Enheten slås av, luftfördelarens display är blir tom.
- Fjärrkontrollens display visar endast klockan.

Du kan även slå på och stänga av luftkonditioneringen genom att trycka på touchknappen på luftfördelaren, se kapitel 6.16, "Styra luftfördelaren utan fjärrkontrollen" på sidan 145 för mer information.



6.7 Ställa in temperaturen

Använd knapparna ▲/▼ för att ändra den inställda temperaturen.

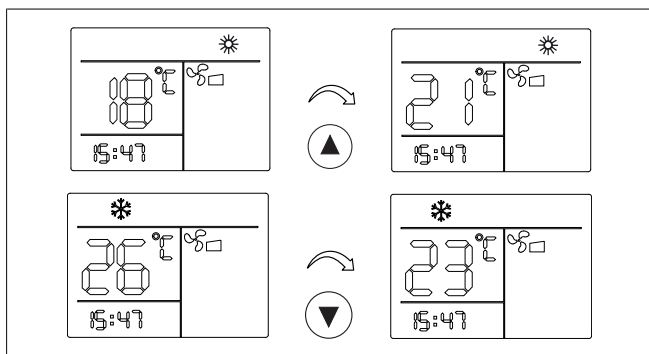


Bild 35 Ställa in temperaturen

- Den inställda temperaturen visas både på fjärrkontrollens display och på luftfördelarens display.
- Luftkonditioneringen bekräftar mottagning av varje ändring av värdena med ett pipjud.
- Du kan ställa in temperaturen mellan 16 och 30 °C när enheten är igång.
- Det går inte att ställa in temperaturen i FAN-läget.

6.8 Ställa in fläkthastigheten

Använd FAN-knappen för att ställa in fläkthastigheten.

- Fläkthastigheten påverkar luftflödesvolymen direkt.
- Varje tryck på FAN-knappen ändrar fläktnivån i den ordningsföljd som visas nedan.

AUTO indikerar att det automatiska FLÄKT-läget har valts. I detta läge anpassas fläktens hastighet automatiskt. Det automatiska FLÄKT-läget är endast tillgängligt i läget KYLA eller VÄRME.

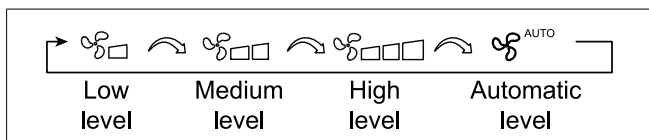


Bild 36 Ställa in fläkthastigheten

6.9 Ställa in driftläge

Tryck på MODE-knappen på fjärrkontrollen för ändra driftläget. Fjärrkontrollen visar de valda symbolerna.

- Varje tryck på MODE-knappen ändrar läget i den ordningsföljd som visas nedan.

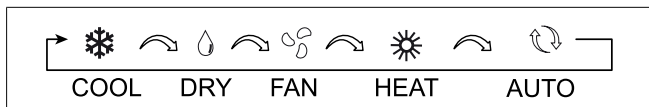


Bild 37 Ställa in driftläge

Läget KYLA ❄️

- I läget KYLA (COOL) visar luftfördelaren symbolen ❄️ och fordonet kyls.
- Inställd temperatur och fläkthastighet kan väljas manuellt.
- Kompressorn stängs av när den inställda temperaturen har nåtts och den startas automatiskt igen när inställningen för rumstemperatur överskrids.

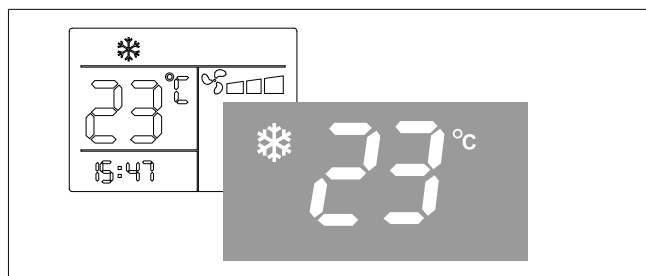


Bild 38 Läget KYLA

Läget TORKA ☀️

- I läget TORKA (DRY) sänker enheten fuktigheten inne i fordonet.
- Ställ in temperaturen 1 °C lägre än den omgivande rumstemperaturen.
- Luftfördelaren visar symbolen ☀️.

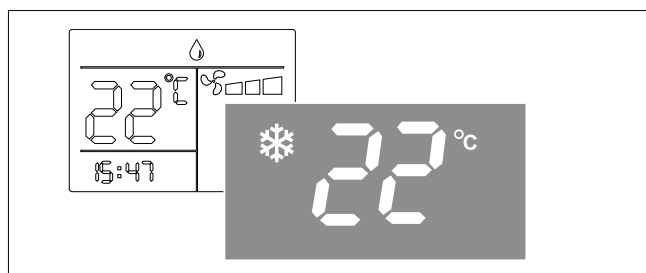


Bild 39 Läget TORKA

Läget FLÄKT 🌀

- I läget FAN-läget (FLÄKT) cirkuleras innerluften genom fordonet utan värmning eller kylning.
- Du kan ställa in fläkthastigheten manuellt.
- Luftfördelaren visar symbolen 🌀 samt den aktuella temperaturen i innerutrymmet.

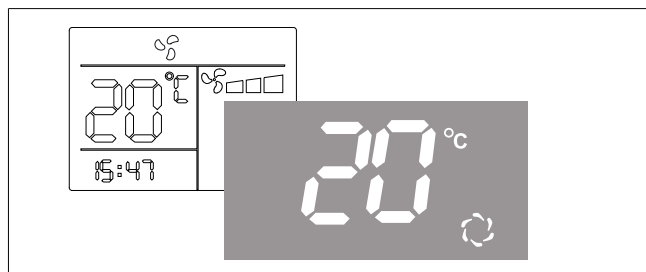


Bild 40 Läget FLÄKT

Läget VÄRME ☀️

- I HEAT-läget (VÄRME) visar luftfördelaren symbolen ☀️ och fordonet värms upp.
- Du kan ställa in temperaturen och fläkthastigheten manuellt.
- Kompressorn stängs av när den inställda temperaturen har nåtts och den startas automatiskt igen när inställningen för innetemperaturen överskrids.

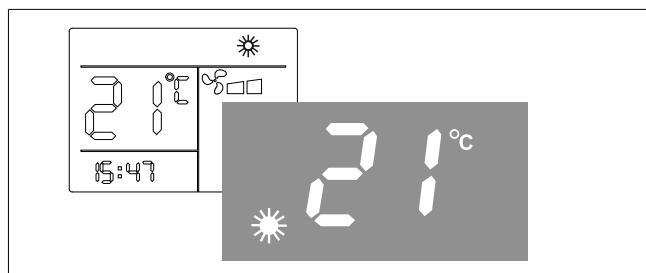


Bild 41 Läget VÄRME

**HÄNVISNING**

Vid drift i värmeläget vid låga omgivningstemperaturer frostar enheten av värmeväxlaren på utsidan med jämna mellanrum. Luftfördelaren visar "DF" under avfrostningen och återgår sedan till uppvärmning så snart avfrostningen är slutförd.

Läget AUTO

- I läget AUTO väljer enheten värmning eller kylning automatiskt beroende på skillnaden mellan den aktuella innertemperaturen och börtemperaturen.
- Du kan välja temperatur och fläkthastighet manuellt.
- Luftfördelaren visar symbolen ❄️ i värmeläget och symbolen ☀️ samt den inställda temperaturen i kylningsläget.

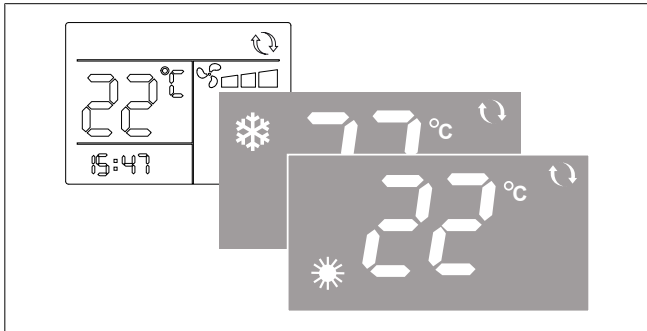


Bild 42 Läget AUTO

6.10 Ställa systemklockan

1. Tryck på knappen SET TIME. Siffrorna för **timmar** börjar blinka nu.
2. Tryck på knappen ▲ / ▼ för att ställa in timme.
3. Tryck på knappen HOUR/MIN. Siffrorna för **minuter** börjar blinka nu.
4. Tryck på knappen ▲ / ▼ för att ställa in minuter.
5. Tryck 3 gånger på knappen SET TIME för att avsluta inställningsläget. Alternativt, vänta 10 sekunder tills siffrorna slutar blinka.

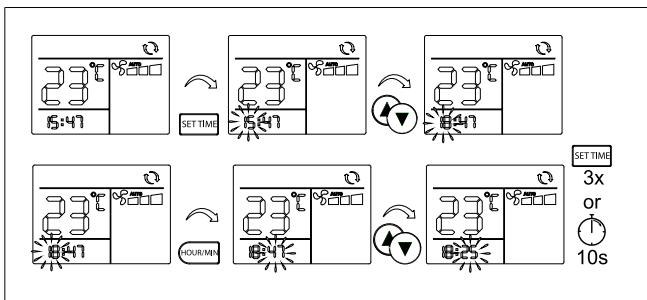


Bild 43 Ställa systemklockan

6.11 Ställa tiduret

Tiduret kan ställas in så att det startar och stoppar enheten vid en programmerad tidpunkt. I ett första steg måste dessa start- och stopptider ställas in.

1. Tryck på knappen SET TIME två gånger tills ON visas på klockans övre högra sida och siffrorna för **timme** blinkar.
2. Tryck på knappen ▲ / ▼ för att ställa in den **timme** när enheten ska slås på.
3. Tryck på knappen HOUR/MIN, och tryck sedan på knappen ▲ / ▼ för att ställa in **minuter**.
4. Tryck på knappen SET TIME igen tills OFF visas på klockans övre högra sida och siffrorna för **timme** blinkar.

5. Tryck på knappen ▲ / ▼ för att ställa in den **timme** när du vill att enheten ska stängas av.
6. Tryck på knappen HOUR/MIN, och tryck sedan på knappen ▲ / ▼ för att ställa in **minuter**.
7. Tryck på knappen SET TIME igen för att avsluta inställningsläget. Klockan visar tiden. Alternativt, vänta 10 sekunder tills siffrorna slutar blinka.

**HÄNVISNING**

Tidurets tider för PÅ och AV är nu inställda men dessa måste aktiveras separat. Se kapitel 6.12, "Aktivera tiduret" på sidan 144.

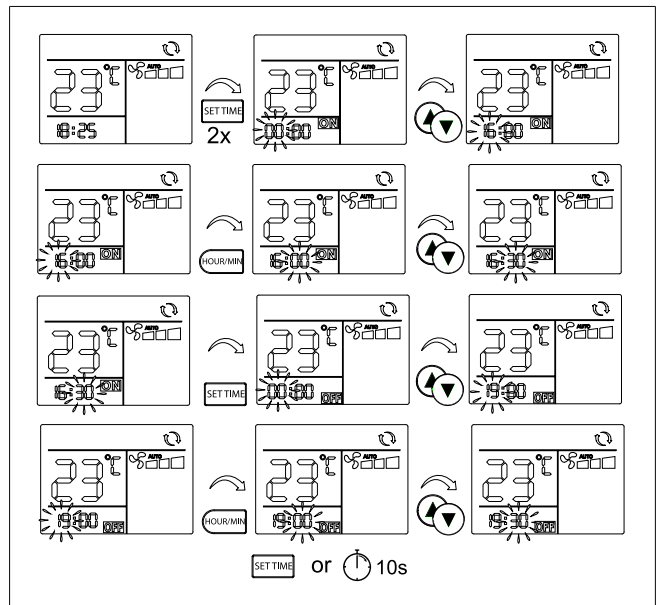


Bild 44 Ställa tiduret

6.12 Aktivera tiduret

Välj driftläge, den inställda temperaturen och den önskade fläktnivån innan du aktiverar tiduret.

När tiderna för start och stopp har ställts in (se kapitel 6.11, "Ställa tiduret" på sidan 144) går det att aktivera ett av de tre olika lägena för TIMER (tidur):

- **Läget TIMER ON**
I detta läge slås enheten vid önskad tidpunkt PÅ och fortsätter sedan att vara igång.
- **TIMER OFF**
I detta läge stängs enheten vid önskad tidpunkt AV och fortsätter att vara av.
- **Läget TIMER ON / OFF**
I detta läge slås enheten PÅ vid önskad tidpunkt och stängs sedan AV vid inställd tidpunkt. Denna procedur upprepas sedan varje dag.

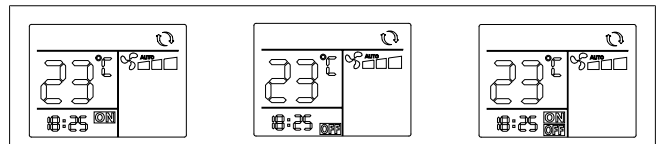


Bild 45 Tidurslägen

1. Tryck på knappen TIMER flera gånger tills antingen symbolen ON eller OFF blinkar eller tills båda symbolerna blinkar beroende på vilket tidursläge som föredras.
2. Vänta 10 sekunder tills symbolen slutar blinka och lyser kontinuerligt för att bekräfta ditt val. Klockan visar nu tiden igen.

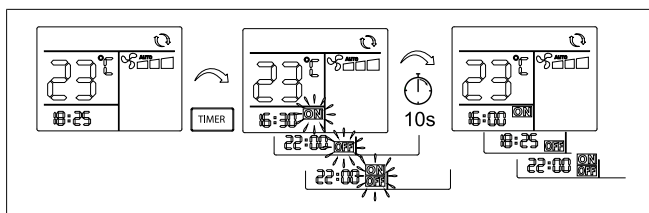


Bild 46 Aktivera tiduret

**HÄNVISNING**

Om klockan visas utan en ON / OFF-symbol är tiduret deaktiverat.

6.13 Ställa in sovfunktionen

Sovfunktionen ändrar automatiskt måltemperaturen så att sovtemperaturen blir behaglig. Denna funktion hjälper också till att reducera kompressorns gångtid och sänker således energiförbrukningen och bullernivåerna.

- Tryck på knappen SLEEP för att aktivera sovfunktionen.
 - Symbolen i fjärrkontrollens display visas för att indikera att sovfunktionen är aktiverad.
 - I läget KYLA (COOL) ökar den inställda temperaturen automatiskt i två steg och den kommer att ökas med 2 °C efter två timmar.
 - I läget VÄRME (HEAT) sänks den inställda temperaturen automatiskt i tre steg och kommer att ha sänkts med 3 °C efter två timmar.
 - Sovfunktionen är endast tillgänglig i läget KYLA eller VÄRME.
- Tryck på knappen SLEEP igen för att deaktivera sovfunktionen.

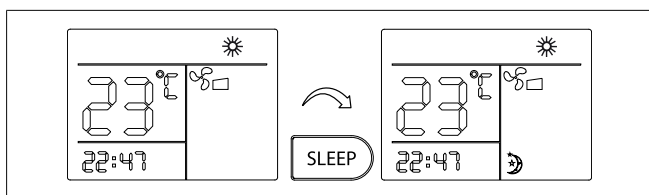


Bild 47 Ställa in sovfunktionen

6.14 Ändra temperaturenhet

Tryck på knappen °C/°F för att välja vilken enhet som ska användas för temperaturvisningen: Celsius eller Fahrenheit.

- Du kan göra detta på valfritt sätt.
- Displayen på luftfördelaren följer det val som har gjorts på fjärrkontrollen.

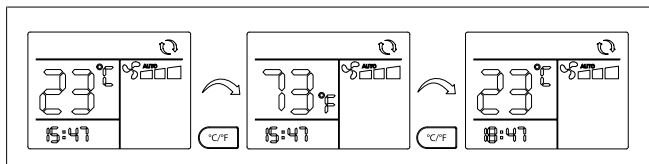


Bild 48 Val av Celsius / Fahrenheit

6.15 Återställa fjärrkontrollen

Gör så här för att återställa fjärrkontrollen till fabriksinställningarna:

- Ta ut batterierna och sätt in dem igen. Se även kapitel 7.2, "Fjärrkontrollens batterier" på sidan 146.
- Klockan måste ställas igen. Se kapitel 6.10, "Ställa systemklockan" på sidan 144.
- Aktivera tiduret igen, om det ska användas. Se kapitel 6.12, "Aktivera tiduret" på sidan 144.

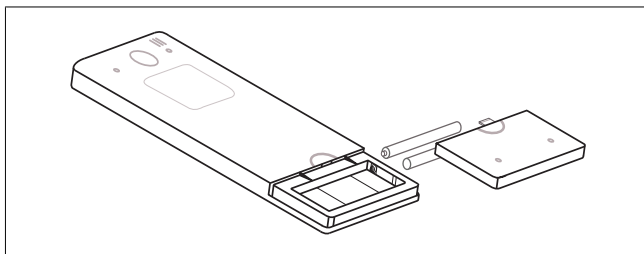


Bild 49 Återställa fjärrkontrollen

6.16 Styra luftfördelaren utan fjärrkontrollen

Du kan styra luftkonditioneringens grundläggande funktioner med touchknappen på luftfördelarens display. Detta kan vara praktiskt om du inte genast hittar fjärrkontrollen eller om dess batterier har laddats ur.

- Tryck på touchknappen på luftfördelarens display. Du går igenom de olika lägena med varje tryck: OFF, COOL, FAN, HEAT.

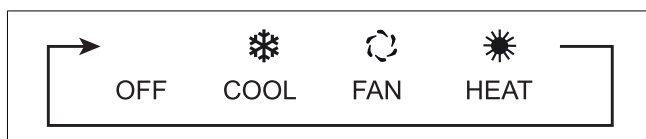


Bild 50 Ställa in driftläge

- I lägena kyla och värme ställs börtemperaturen automatiskt in på 24 °C och fläkthastigheten är inställd till HÖG.
- Använd fjärrkontrollen för att välja någon annan temperatur eller fläkthastighet.
 - Du kan inte välja läget AUTO på luftfördelaren, men om autoläget har valts på fjärrkontrollen visas symbolen för "auto mode" uppe i högra hörnet på displayen.

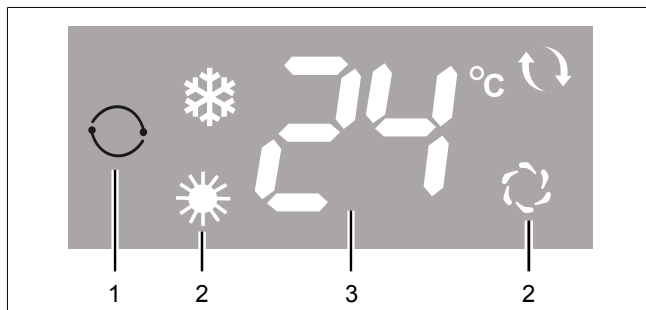


Bild 51 Display på luftfördelaren

1	Touchknapp
2	Driftlägessymboler
3	Temperaturvisning

6.17 Justering av luftutsläppen

Justera luftutsläppets riktning och vinkel genom att flytta bladet runt sin axel. De tre bladen flyttas tillsammans.



Bild 52 Justering av luftutsläppen

7 Underhåll

7.1 Luftfilter

Returluftfiltren kräver regelbundet underhåll.

- Kontrollera och rengör filtren varje vecka, såvida de används, för att förhindra att filtren täpps igen av smuts.
 - Filtren ska rengöras ofta för att säkerställa effektiv kylning och uppvärmning.
1. Dra ut filtren (1) från luftfördelaren (2).
 2. Rengör filtren med varmvatten och rengöringsmedel.
 3. Låt torka innan du installerar igen.

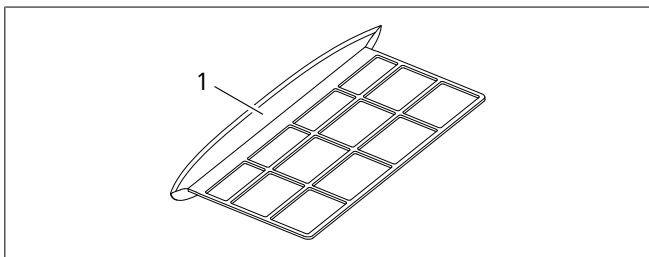


Bild 53 Luftfilter

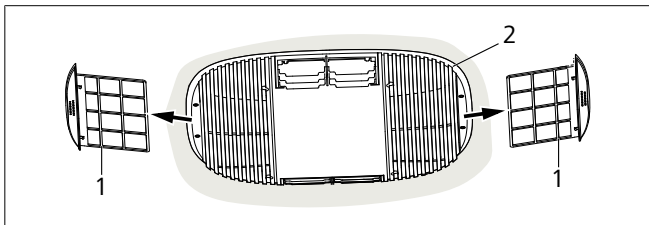


Bild 54 Demontering av luftfiltren



HÄNVISNING

Det går att beställa reservfilter separat. Använd aldrig luftkonditioneringen utan ett filter. Detta kan leda till att värmeväxlaren blir smutsig och kan innebära effektförlust.

7.2 Fjärrkontrollens batterier

- Byt fjärrkontrollens batterier (2 x typ AAA) när det inte längre går att läsa fjärrkontrollens display och/eller om den blir otydlig.
- Ta bort batterierna från fjärrkontrollen om fjärrkontrollen inte används under en längre tid för att förhindra skador på fjärrkontrollen på grund av läckande batterier.

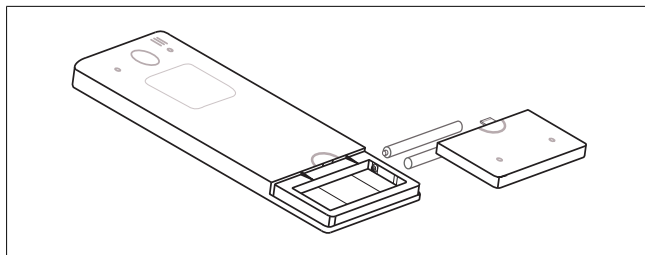


Bild 55 Fjärrkontrollens batterier

Se även kapitel 6.15, "Återställa fjärrkontrollen" på sidan 145.



Alla batterier och elektroniska apparater måste uppfylla kraven i det europeiska direktivet 2006/66/EC eller 2002/96/EC och får inte slängas i hushållssoporna. Se även <https://eur-lex.europa.eu/advanced-search-form.html>.

Alla förbrukare är lagligt förpliktigade att lämna batterier och elektronisk utrustning endast i återvinningscontainrar med motsvarande märkning på ett insamlingsställe för avfall. Returnering sker utan kostnad.

Se även: kapitel 9, "Avfallshantering" på sidan 148.

7.3 Kontroll av bultar

Kontrollera att de fyra bultarna som håller fast enheten på taket är ordentligt åtdragna 3 månader efter att produkten monterades för första gången.

Bultarna ska inspekteras regelbundet; minst en gång om året. Dra åt till 7 Nm vid behov.

7.4 Regelbunden användning

Webasto rekommenderar att du tar luftkonditioneringen i bruk regelbundet för att säkerställa dess goda prestanda. Kör enheten minst 20-30 minuter var 6:e månad.

7.5 Rengöring

Ta regelbundet bort löv och annan smuts från ventilationsgallren på utomhusenheten.

- Rengör enheten regelbundet med en mjuk, fuktig trasa och ett mildt rengöringsmedel.
- Rengör fordonets tak med jämna mellanrum. Ett smutsigt tak värms upp mer än ett rent tak.





VAR FÖRSIKTIG

- ▶ Kör aldrig igenom automatiska biltvättar med en takluftkonditionering monterad.
- ▶ Spruta inte in i enhetens öppningar med en högtryckstvätt.
- ▶ Använd inte värmstvättar eller ångtvättar.
- ▶ Använd inte vassa eller hårda föremål för rengöringen.
- ▶ Använd aldrig bensin, diesel, lösningsmedel eller aggressiva rengöringsmedel.

7.6 Värmeväxlare

Minst en gång om året ska värmeväxlarna rengöras av en specialistverkstad.

8 Felsökning

Symptom	Åtgärd
Ingen visning på luftfördelarens display när enheten slås PÅ.	Kontrollera att: <ul style="list-style-type: none"> ● Fordonet får ström och att strömbrytarna är på. ● Fjärrkontrollens batteri är OK. ● Fjärrkontrollen är av. ● Spänningen är för låg. ● Överströmsskyddets strömstyrka i den externa strömförsörjningen är för låg.
Det finns ingen kyla.	Kontrollera att kylåläget är valt och att luftfördelarens display visar:  <p>Använd fjärrkontrollen för att ställa in önskad temperatur som krävs under den aktuella innertemperaturen. Kompressorn kommer att fördröja en omstart under tre minuter.</p>
Det finns ingen värme.	Kontrollera att värmelåget är valt och att luftfördelarens display visar:  <p>Använd fjärrkontrollen för att ställa in önskad temperatur som krävs över den aktuella innertemperaturen. Det behövs mer tid för att starta värmen under extremt kalla förhållanden. När enheten är i värmelåget och utomhustemperaturen är väldigt låg kan enheten gå in i avfrostningslåget automatiskt. Värmen stoppas temporärt när enheten värmer värmväxlaren på utsidan för att få bort snö och is. Uppvärmning återupptas när värmväxlaren har rensats på utsidan. Under avfrostningen visar enheten "dF".</p>
Dålig kyleffekt.	Se till att filtret är rent. Öka fläkthastigheten till hög för att få maximal effekt. Se till att alla dörrar och fönster samt takluckan är stängda. Använd gardiner och soltak för att öka värmebelastningen. Kontrollera att utomhusenhetens luftöppningar inte är smutsiga eller blockerade.
Det droppar vatten från luftfördelaren.	Ta bort tilltäppningar från utomhusenhetens kondensatutlopp. Kontrollera adapterramens tätning. Parkera fordonet i horisontellt läge med en vinkel på < 5° (8,8 %). Öka fläkthastigheten till hög om det bildas kondensat på luftfördelarens utsida.
Felkoder på panelen:	
-	Om det är en "0" eller en blandad visning vid försörjning från generatorn kan detta tyda på instabil spänning eller ström.
E0	Kommunikationsfel.
E1	Fel på rumstemperatursensor.
E2	Fel på temperatursensor till inomhusvärmväxlaren.
E3	Fel på temperatursensor till utomhusvärmväxlaren.
E4	Ingen kyleffekt. Möjliga grundläggande orsaker kan vara följande: <ul style="list-style-type: none"> ● Otillräcklig köldmediemängd på grund av rörbrott. ● Kompressorfel. ● Sensorfel.

Symptom	Åtgärd
E5	Utomhusvärmväxlarens temperatur för hög/temperaturanomali. Temperaturanomali: utomhusvärmväxlarens temperatur för hög vid kyla eller för låg vid värme. (Vid kyla indikerar visningen av E5 att utomhustemperaturen överstiger 64 °C. Detta beror sannolikt på att kondensorns luftflöde har minskat, kondensorfläkten fungerar dåligt eller ett sensorfel. Vid värme kan utomhusfläkten slås på och av upprepat om utomhustemperaturen är högre än 18 °C. Att detta inträffar är inget fel utan systemets sätt att skydda sig själv för att undvika att enheten överhettas.)
dF	Inte något fel: Vid drift i värmelåget vid låga omgivningstemperaturer frostar enheten av värmväxlaren på utsidan med jämna mellanrum. Luftfördelaren visar "dF" under avfrostningen och återgår sedan till värme så snart avfrostningen är slutförd.



HÄNVISNING

Samla följande information innan du kontaktar Webasto för teknisk support.

- ▶ Visas det några felkoder?
- ▶ Är luftfördelarens display i normal drift eller inte?
- ▶ Visar den en temperatur från 16 till 30 °C?
- ▶ Kan du ställa in börtemperaturen i kyl- eller värmelåget?
- ▶ Visas en "0" på displayen?
- ▶ Är visningen på displayen suddig?
- ▶ Finns det något luftflöde från luftfördelarens utsläpp i fläktlåget?
- ▶ Kan du höra att kompressorn stoppar eller startar i kyllåget?

⇒ Din hjälp med att samla denna information är en viktig hjälp för serviceteamet. Tack så mycket!

9 Avfallshantering



Kassera förpackningsmaterial enligt gällande bestämmelser och separera dem för återvinning. När ditt system har nått slutet av sin brukstid ska du inte kasta systemet i hushållsavfallet. Se till att avfallshandla systemet enligt gällande lokala och nationella regler och föreskrifter. Kontakta lokala myndigheter, ansvarig avfallsanläggning och din lokala Webasto återförsäljare för information om avfallshantering.

Alla förbrukare är lagligt förpliktigade att lämna batterier och elektronisk utrustning endast i återvinningscontainrar med motsvarande märkning på ett insamlingsställe för avfall. Returnering sker utan kostnad.

SV

Se även: kapitel 7.2, "Fjärrkontrollens batterier" på sidan 146.

10 Tekniska data

Parameter	Värde		Parameter	Värde	
	CTT 20	CTT 24		CTT 20	CTT 24
Produktnamn	Cool Top Trail 20/24		Kylning möjlig vid omgivningstemperaturer	16 °C till 50 °C	
Tillverkare modellnamn	Belaire H2000/H2400		Maximalt dimensionerat tryck	2900 kPa	
Strömförsörjning	220-240 V/50 Hz		Minimalt dimensionerat tryck	1840 kPa	
Nominell kyleffekt	2000 W	2400 W	Maximalt luftflöde	310 m ³ /h	
Nominell värmeeffekt	2000 W	2400 W	Utomhusenhetens vikt	netto 28 kg	netto 29 kg
Ineffekt för kylning	700 W	950 W	Inomhusenhetens vikt	netto 2,8 kg	
Ineffekt för värmning	600 W	850 W	Belastat köldmedium	R407C/470 g	R407C/450 g
Märkström för kylning	3,0 A	4,2 A	Global uppvärmningspotential (GWP)	1774	
Märkström för värmning	2,6 A	3,8 A	CO ₂ -ekvivalent	834 kg	798 kg
Maximal ineffekt	800 W	1040 W	Maximal lutning av fordonet under drift	5° (=8,8%)	
Maximal ström	3,5 A	4,5 A	Mått	Se Bild 7 / Bild 8	
Drift vid omgivningstemperaturer	-5 °C till +50 °C		IP klassning	IP24	

SV



HÄNVISNING

Alla listade parametrar kan ändras utan föregående tillkännagivande och de specifikationer som visas på enhetens typskyltar är gällande. Alla värden är ungefärliga och kan ändras.

11 Kopplingschema

SV

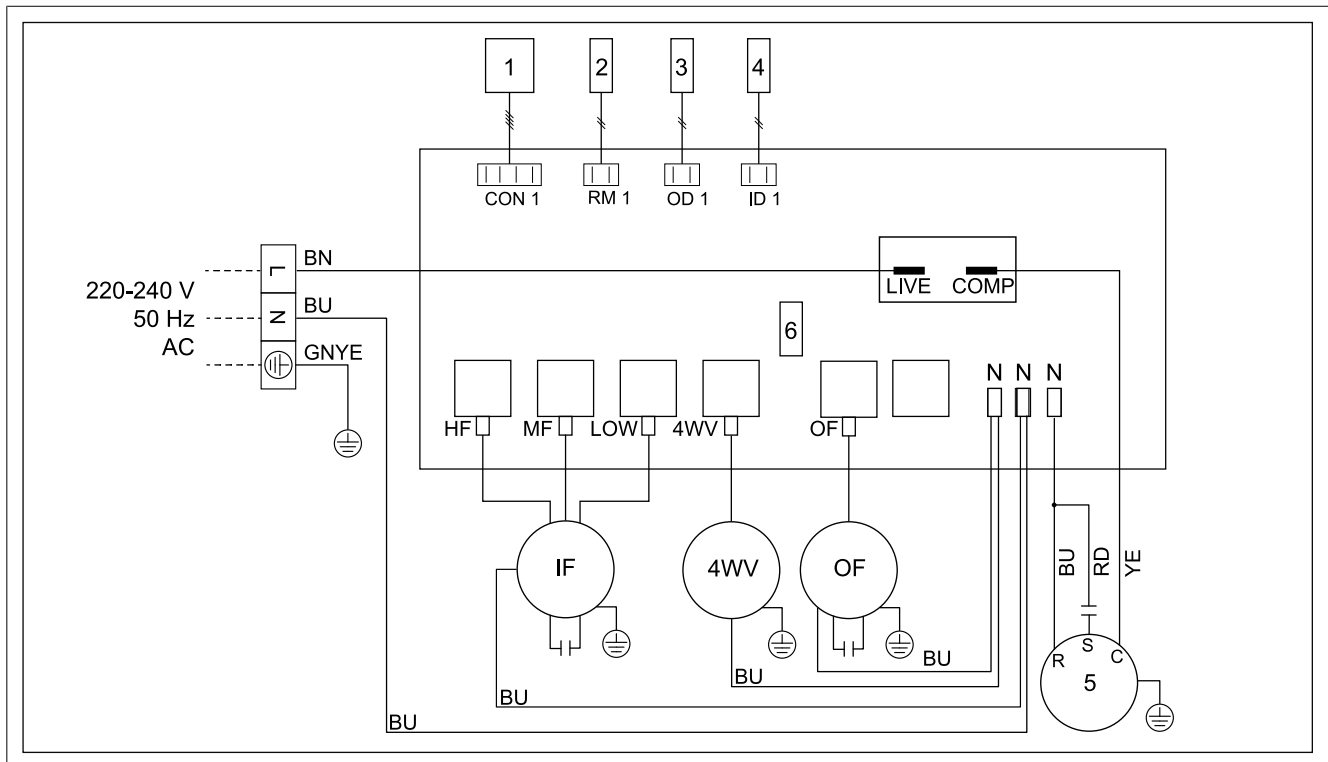


Bild 56 Systemkopplingschema

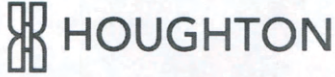
Pos.	Beskrivning
1	Kontrollpanel
2	Rumssensor
3	Sensor utomhusvärmväxlare
4	Sensor inomhusvärmväxlare
5	Kompressor
6	Säkring 5x20 mm, 250 V, T5AL eller T5AH

Pos.	Beskrivning
4WV	4-vägs omkastningsventil
ID	Inomhus (sensor)
IF	Inomhusfläkt
OD	Utomhus (sensor)
OF	Utomhusfläkt
HF	Hög
MF	Medium
LÅG	Låg

Ledningskod	Ledningsfärg
BN	Brun
BU	Blå
GNYE	Gröngul
RD	Röd
YE	Gul

Declarations of conformity

SV



EG-Konformitätserklärung EC-Declaration of Conformity

**Hersteller/
Manufacturer** **Houghton Leisure Products Pty Ltd**
Adelaide, SA, Australia

**Für die Verwendung desKlimaanlagensystems/
For the use of the air-conditioning system**

Belaire H2000

Richtlinie /Directive	Harmonisierte Normen/ Harmonised Standards
Electrical Equipment (Safety) Regulations 2016	EN 60335-1:2012 + AC:2014 + A11:2014 + A13:2017 + A1:2019 + A14:2019 + A2:2019, EN 60335-2-40:2003(incl. Corr.:2006) + A11:2004 + A12:2005 + A1:2006 + A2:2009 + A13:2012/AC:2013, EN 62233:2008
Electromagnetic Compatibility Regulations 2016	BS EN IEC 55014-1 :2021, BS EN IEC 55014-2:2021, BS EN IEC 61000-3-2:2019+A1:2021, BS EN 61000-3-3:2013+A1:2019
RoHS Regulations 2012	

Ort und Datum der Ausstellung/ Zhejiang,
Place and Date of issue

**Authorised
Person** *楚人蒙 2023.5.17*

CE

Fig. 57 CE Certificate Cool Top Trail 20



Fig. 58 CE Certificate Cool Top Trail 24



UK-Declaration of Conformity

Manufacturer **Houghton Leisure Products Pty Ltd**
Adelaide, SA, Australia

For the use of the air-conditioning system

Belaire H2000

Directive	Designated Standards
Electrical Equipment (Safety) Regulations 2016	EN 60335-1 :2012+AC:2014+A11 :2014+ A13:2017+A1:2019+A14:2019+A2:2019, EN 60335-2-40:2003(incl. Corr.:2006)+A11 :2004 +A12:2005+A1:2006+A2:2009+A13:2012/AC:2013, EN 62233:2008
Electromagnetic Compatibility Regulations 2016	BS EN IEC 55014-1 :2021, BS EN IEC 55014-2:2021, BS EN IEC 61000-3-2:2019+A1:2021, BS EN 61000-3-3:2013+A1:2019
RoHS Regulations 2012	

Follow the installation and operating instructions

Place and Date of issue;

Zhejiang

宁波镇海 22.4.26

Authorised
Person

朱建国

This declaration of conformity is issued under the sole responsibility of the manufacturer.

Fig. 59 UKCA Certificate Cool Top Trail 20

To request this documentation in another language, please locate and contact your local Webasto dealer. You can find your nearest dealer at: <https://dealerlocator.webasto.com/en-int>.

To provide feedback (in English or German), please email: feedback2tdt@webasto.com

Benötigen Sie diese Dokumentation in einer anderen Sprache, wenden Sie sich bitte an Ihren örtlichen Webasto Händler. Sie finden den nächstgelegenen Händler unter: <https://dealerlocator.webasto.com/de-de>.

Um Feedback (in Englisch oder Deutsch) zu geben, senden Sie bitte eine E-Mail an: feedback2tdt@webasto.com

Si vous avez besoin de cette documentation dans une autre langue, veuillez vous adresser à votre revendeur local Webasto. Vous trouverez le revendeur le plus proche de chez vous sur : <https://dealerlocator.webasto.com/fr-fr>.

Pour donner votre avis (en anglais ou en allemand) sur ce document, veuillez envoyer un e-mail au : feedback2tdt@webasto.com

Se la presente documentazione è necessaria in un'altra lingua, rivolgersi al proprio rivenditore locale Webasto. Per trovare il rivenditore più vicino fare riferimento all'indirizzo: <https://dealerlocator.webasto.com/it-it>.

Per fornire un feedback (in inglese o tedesco) in merito al presente documento, inviare un messaggio di posta elettronica al team Tech Doc e Translation: feedback2tdt@webasto.com

Si necesita esta documentación en otro idioma, le rogamos que se ponga en contacto con su distribuidor local de Webasto. Puede encontrar el distribuidor más cercano en: <https://dealerlocator.webasto.com/es-es>.

Si quiere dejar algún comentario (en inglés o alemán) sobre este documento, le rogamos que envíe un correo electrónico al equipo de documentación técnica y traducción: feedback2tdt@webasto.com

Als u deze documentatie in een andere taal nodig hebt, neemt u contact op met uw plaatselijke Webasto-dealer. De dichtstbijzijnde dealer vindt u via: <https://dealerlocator.webasto.com/nl-nl>.

Om feedback (in het Engels of Duits) over dit document te geven, stuurt u een e-mail naar het Tech Doc / Translation team: feedback2tdt@webasto.com

Kontakta din lokala Webasto-försäljare om du behöver denna dokumentation i något annat språk. Du hittar din närmsta försäljare under: <https://dealerlocator.webasto.com/sv-sv>.

För att ge feedback rörande detta dokument (på engelska eller tyska) skickar du ett e-postmeddelande till: feedback2tdt@webasto.com

Europe, Asia Pacific:

Webasto Thermo & Comfort SE
Postfach 1410
82199 Gilching
Germany

Company address:
Friedrichshafener Str. 9
82205 Gilching
Germany

UK only:

Webasto Thermo & Comfort UK Ltd
Webasto House
White Rose Way
Doncaster Carr
South Yorkshire
DN4 5JH
United Kingdom

USA only:

Webasto Thermo & Comfort N.A., Inc.
15083 North Road
Fenton, MI 48430

Technical Assistance Hotline
USA: (800) 860-7866
Canada: (800) 667-8900

www.webasto.us
www.techwebasto.com

Manufacturer:

The logo for Houghton, featuring a stylized blue 'H' symbol followed by the word 'HOUGHTON' in a bold, blue, sans-serif font.

Houghton leisure Products Pty Ltd.
Adelaide, S.A. Australia

Technical website: <https://dealers.webasto.com>

Only within Germany

Tel: 0395 5592 444

Mail: technikcenter@webasto.com

www.webasto.com